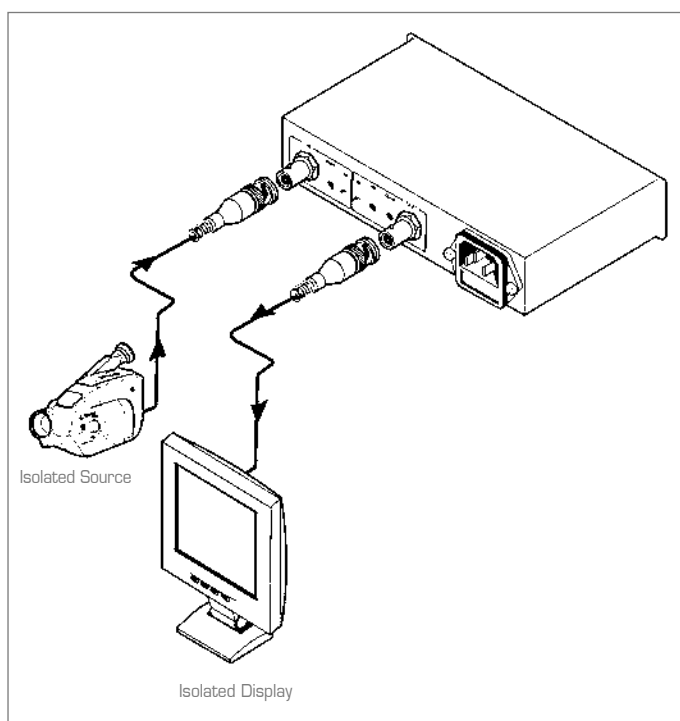


OC-1N

Single Channel Video/Sync Optical Isolator



The **OC-1N** is a high performance optical isolator for video or sync signals. It provides complete isolation between devices thus eliminating video hum, ground loops, and DC offsets which can degrade picture quality.



FEATURES

- **Bandwidth** - 20MHz (-3dB).
- **Channels** - 1.
- **Opto-Isolator Circuitry** - Extremely linear response and wide frequency range compared to traditional transformer based units.
- **Level (Gain) and EQ (Peaking) Controls.**
- **Floating Ground Selection** - Input.
- **Desktop Size** - Compact size. Two units can be rack mounted side-by-side in a 1U rack space with the optional RK-50RN adapter.

TECHNICAL SPECIFICATIONS

INPUT:	1 composite video, 1Vpp/75Ω on a BNC connector.
OUTPUT:	1 composite video, 1Vpp/75Ω on a BNC connector.
S/N RATIO:	69dB.
BANDWIDTH (-3dB):	20MHz.
POWER SOURCE:	230VAC, 50/60Hz, (115VAC, U.S.A.) 2.3VA.
DIMENSIONS:	16.5cm x 12cm x 4.5cm (6.5" x 4.7" x 1.8", W, D, H).
WEIGHT:	0.72kg. (1.6lbs.) approx.
ACCESSORIES:	Power cord.
OPTIONS:	RK-50RN, 19" rack adapter.

