

FC-7402

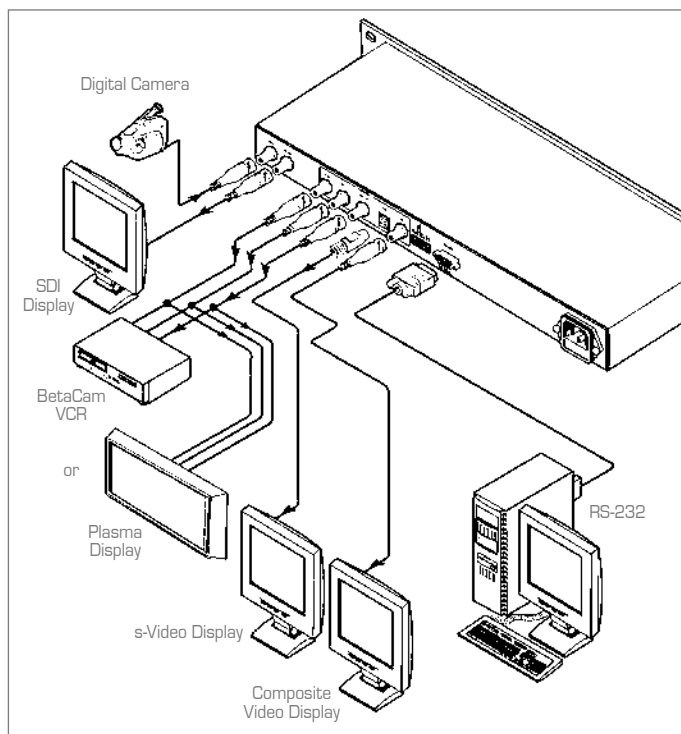
SDI to Multi-Format Analog Video Format Converter & Processor



The **FC-7402** is a format converter for SDI (SMPTE 259M) signals. It converts an SDI video signal to composite video, s-Video (Y/C), and RGB/component (RGsB or YUV) video.

FEATURES

- **Bandwidth** - 5.7MHz (-3dB).
- **Multi-Standard** - PAL (B/D/G/H/I/Combination N), SECAM, NTSC (3.58/4.43).
- **NTSC Decoding Options** - With or without 7.5IRE setup (pedestal).
- **Proc-Amp Control** - Brightness, contrast color (saturation), sharpness, and hue (NTSC Only).
- **Color Space** - RGB & YUV (selectable).
- **Control** - Front panel and RS-232 (included Windows® - based software).
- **Resolution** - 10 bit.
- **Non-Volatile Memory.**
- **Color Bar Generator** - Built-In 75% color bar generator with timing referenced to SDI Input.
- **Looping Input** - reclocked and equalized.
- **Front Panel Lockout.**
- **Standard 19" Rack Mount Size** - 1U.



TECHNICAL SPECIFICATIONS

INPUT:	1 SDI: SMPTE - 259M, ITU-R BT.601 (CCIR-601) 75Ω on a BNC connector.
OUTPUTS:	1 composite video - 1Vpp/75Ω on a BNC connector. 1 YC - 1Vpp/75Ω (Luma), 0.3Vpp/75Ω (Chroma) on a 4p connector. 1 component - RGB/Y, R-Y, B-Y (1V, 0.7V, 0.7V/75Ω) on BNC connectors. 1 SDI (reclocked): SMPTE - 259M, ITU-R BT.601 (CCIR-601) 75Ω on a BNC connector.
RESOLUTION:	10-bit.
BANDWIDTH [-3dB]:	5.7MHz, Fully Loaded.
NON-LINEARITY:	+/- 1.0%.
DIFF. GAIN:	0.11% (NTSC).
DIFF. PHASE:	0.33 Deg (NTSC).
K-FACTOR:	0.3%.
S/N RATIO:	67dB unweighted.
YC DELAY:	< 20ns.
EQUALIZATION:	> 125m for Belden 8281 cable.
CONTROL:	Level: - RS-232 and front panel: brightness, contrast, color (saturation and separate U, V), hue, and sharpness. Front panel lock.
POWER SOURCE:	230VAC, 50/60Hz, (115VAC, USA) 13.8VA.
DIMENSIONS:	19 inch (W), 7 inch (D), 1U (H) rack mountable.
WEIGHT:	2.6kg. (5.7lbs.) approx.
ACCESSORIES:	Power cord.

