

FC-4044

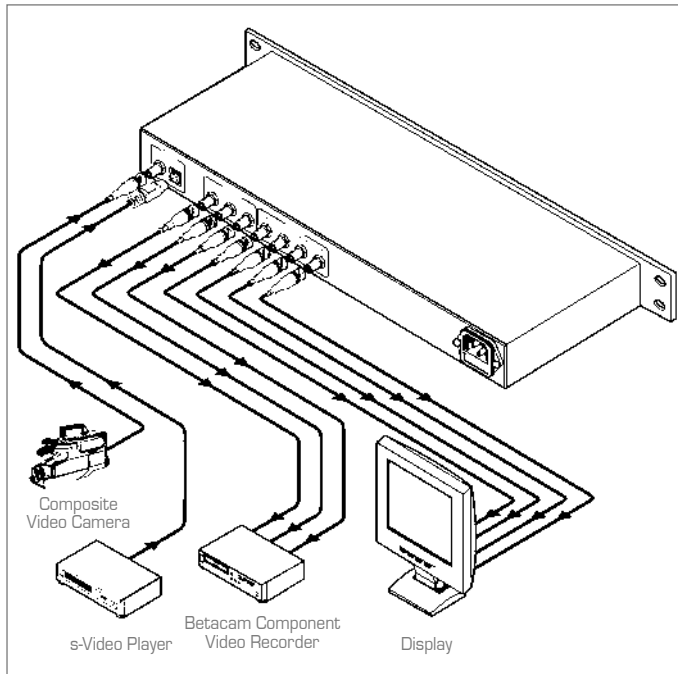
Composite Video or s-Video to RGB & Component Video Format Converter



The **FC-4044** is a format converter for composite video or s-Video (Y/C) signals. It converts the input simultaneously to either RGSB or RGSB and component video (YUV) outputs.

FEATURES

- **Bandwidth** - 5MHz (-3dB).
- **Inputs** - Composite video or s-Video (selectable).
- **Multi-Standard** - PAL, SECAM, NTSC 3.58/4.43 (selectable).
- **Output Sync** - RGSB or RGSB (selectable).
- **Standard 19" Rack Mount Size** - 1U.



TECHNICAL SPECIFICATIONS

- INPUTS:**
- 1 composite video - 1Vpp/75Ω on a BNC connector.
 - 1 YC: 1Vpp/75Ω (Luma), 0.3Vpp/75Ω (Chroma) on a 4p type connector.
- OUTPUTS:**
- 1 component - (Y, R-Y, B-Y) 1V, 0.7V, 0.7Vpp/75Ω on BNC connectors.
 - 1 RGB: 0.7Vpp/75Ω for 100% saturation, on BNC connectors.
 - Composite sync - 2Vpp/75Ω, negative polarity.
- NON LINEARITY:** 0.2%.
- K-FACTOR:** 1.2%.
- CONTROL:** Standards selection by front touch switches, automatic or manually forced. Composite/YC front touch switch selection. Green/green + sync and HUE control (NTSC only) via front touch switches.
- DC CLAMP ERROR:** +/- 20mV.
- RESIDUAL SC:** Composite to Y = 30mV, YC to Y = 15mV.
- POWER SOURCE:** 230 VAC, 50/60Hz, (115VAC, U.S.A.) 6.9VA.
- DIMENSIONS:** 19 inch (W), 7 inch (D), 1U (H) rack mountable.
- WEIGHT:** 2.6kg. (5.8lbs.) approx.
- ACCESSORIES:** Power cord.

