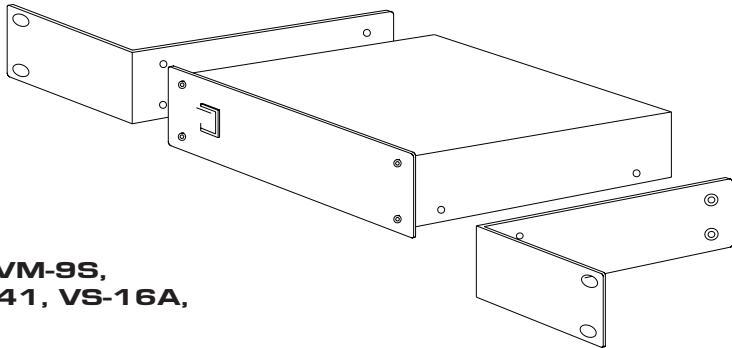


RK-MEDN



For products:

SG-9, SG-11,

VA-15, VM-42, VM-5AD, VM-9S,

VP-102, VP-3, VP-31, VP-41, VS-16A,

VS-421, VS-16N.