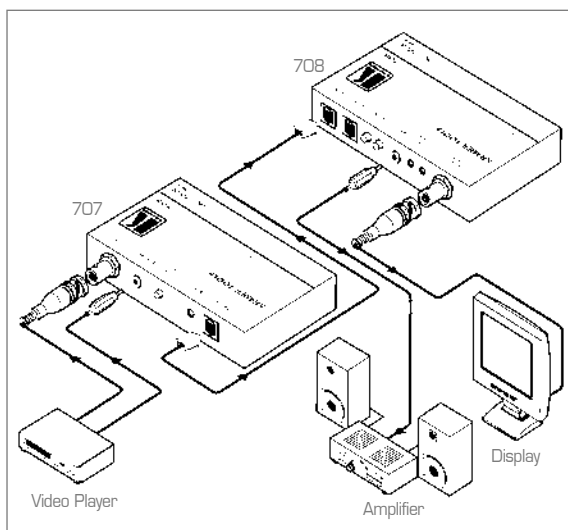


707/708

Composite Video & Audio over Twisted Pair Transmitter & Receiver



The **707** and **708** are a twisted pair transmitter and receiver for composite video and unbalanced mono audio signals. The **707** transmitter converts a composite video and audio signal to a twisted pair signal and the **708** receiver converts the twisted pair signal back into composite video and audio signals.

FEATURES

- **Bandwidth** - 58MHz (-3dB) at 400 Meters.
- **Twisted Pair Connectors** - RJ-11 (phone).
- **Level (Gain) and EQ (Peaking) Controls (708).**
- **Looping Input (708).**
- **Selectable Input Signal Termination (708).**
- **Audio Input Level (707)** - Line or condenser mic (selectable).
- **INV Polarity Switch (708)** - Inverts the incoming polarity.
- **System Range** - Up to 1000 meters (3200').
- **Cable** - UTP (unshielded twisted pair) such as CAT5.
- **Compact Size** - Part of the Kramer TOOLS™ family of compact, high quality and cost effective solutions.

TECHNICAL SPECIFICATIONS

	707	708
INPUTS:	1 composite video, 1Vpp/75Ω on a BNC connector. 1 audio, 1mV-2V/33k on an RCA connector.	Looping balanced 150Ω on a 6/4 standard telephone socket, with termination switch and polarity inversion switch.
OUTPUTS:	1 balanced, 150Ω on a 6/4 standard telephone socket.	1 composite video, 1 Vpp/75Ω composite video, 1 Vpp/75Ω unbalanced on a BNC connector. 1 audio - line level, up to 4.6 Vpp/100Ω on an RCA connector.
BANDWIDTH (PAIR):	Video: 58MHz; Audio: 30kHz at 30 meters without lightening arrestors.	
NON-LINEARITY (PAIR):	< 0.2% at short distances.	
DIFF. GAIN (PAIR):	0.41%.	
DIFF. PHASE (PAIR):	0.3 Deg.	
K-FACTOR (@ 20m, PAIR):	0.1%.	
S/N RATIO (PAIR):	72dB.	
CONTROLS:	Video Gain: - 1.8/+ 2.3dB; EQ. above 2.5MHz: 0/16dB; Audio: 0/+ 52dB. 707: Condenser Mic Power. 708: loop termination, signal invert.	
POWER SOURCE:	12VDC 40mA.	
DIMENSIONS:	12cm x 7.5cm x 2.5cm (4.7" x 2.95" x 0.98", W, D, H).	
WEIGHT:	0.28kg. (0.62lbs.) approx.	
ACCESSORIES:	Power supply, mounting bracket.	
OPTIONS:	Model VA-50P power supply with six 12VDC outlets. RK-T1, RK-T3, 19" rack adapters.	

