

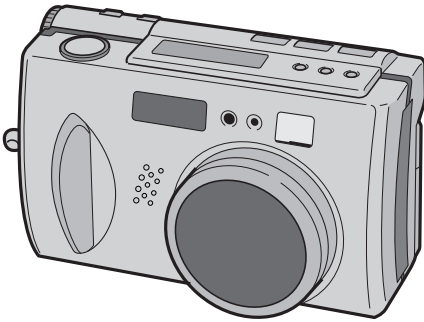
JVC



DIGITAL STILL CAMERA

GC-QX3HD/ GC-QX5HD

ENGLISH



DSC
DIGITAL
STILL CAMERA

INSTRUCTIONS

For Customer Use:

Enter below the Model No. and Serial No. which is located on the bottom of cabinet. Retain this information for future reference.

Model No. _____

Serial No. _____

Dear Customer,

Thank you for purchasing the Digital Still Camera. Before use, please read the safety information and precautions contained in the following pages to ensure safe use of your new Digital Still Camera.

Using This Instruction Manual

- All major sections and subsections are listed in the Table Of Contents (☞ pg. 8, 9).
- Notes appear after most subsections. Be sure to read these as well.
- Basic and advanced features/operation are separated for easier reference.

It is recommended that you . . .

- refer to "CONTROLS, CONNECTORS AND INDICATORS" (☞ pg. 10 – 17) and familiarize yourself with button locations, etc. before use.
- read thoroughly the Safety Precautions and Safety Instructions that follow. They contain extremely important information regarding the safe use of your new Digital Still Camera.

You are advised to carefully read the cautions on pages 99 – 101 before use.

The AA-V37 AC Power Adapter should be used with:
AC 120 V~, 60 Hz in the USA and Canada,
AC 110 – 240 V~, 50/60 Hz in other countries.

CAUTION (applies to the AA-V37)

TO PREVENT ELECTRIC SHOCK MATCH WIDE BLADE OF PLUG TO WIDE SLOT, FULLY INSERT.

ATTENTION (s'applique à l'AA-V37)

POUR ÉVITER LES CHOCS ÉLECTRIQUES, INTRODUIRE LA LAME LA PLUS LARGE DE LA FICHE DANS LA BORNE CORRESPONDANTE DE LA PRISE ET POUSSER JUSQU'AU FOND.

NOTES:

- *The rating plate (serial number plate) and safety caution are on the bottom and/or the back of the main unit.*
- *The rating plate (serial number plate) of the AC Power Adapter is on its bottom.*

This camera is designed to be used with NTSC-type color television signals. It cannot be used for playback with a television of a different standard. However, shooting and LCD monitor playback are possible anywhere.

SAFETY PRECAUTIONS

	CAUTION RISK OF ELECTRIC SHOCK DO NOT OPEN	
<p>CAUTION: TO REDUCE THE RISK OF ELECTRIC SHOCK, DO NOT REMOVE COVER (OR BACK). NO USER-SERVICEABLE PARTS INSIDE. REFER SERVICING TO QUALIFIED SERVICE PERSONNEL.</p>		



The lightning flash with arrowhead symbol, within an equilateral triangle, is intended to alert the user to the presence of uninsulated "dangerous voltage" within the product's enclosure that may be of sufficient magnitude to constitute a risk of electric shock to persons.



The exclamation point within an equilateral triangle is intended to alert the user to the presence of important operating and maintenance (servicing) instructions in the literature accompanying the appliance.

WARNING:
TO PREVENT FIRE OR SHOCK HAZARD, DO NOT EXPOSE THIS UNIT TO RAIN OR MOISTURE.

IMPORTANT PRODUCT SAFETY INSTRUCTIONS

Electrical energy can perform many useful functions. But improper use can result in potential electrical shock or fire hazards. This product has been engineered and manufactured to assure your personal safety. In order not to defeat the built-in safeguards, observe the following basic rules for its installation, use and servicing.

ATTENTION:

Follow and obey all warnings and instructions marked on your product and its operating instructions. For your safety, please read all the safety and operating instructions before you operate this product and keep this manual for future reference.

INSTALLATION

1. Grounding or Polarization

(A) Your product may be equipped with a polarized alternating-current line plug (a plug having one blade wider than the other). This plug will fit into the power outlet only one way. This is a safety feature.

If you are unable to insert the plug fully into the outlet, try reversing the plug. If the plug should still fail to fit, contact your electrician to replace your obsolete outlet. Do not defeat the safety purpose of the polarized plug.

(B) Your product may be equipped with a 3-wire grounding-type plug, a plug having a third (grounding) pin. This plug will only fit into a grounding-type power outlet. This is a safety feature.

If you are unable to insert the plug into the outlet, contact your electrician to replace your obsolete outlet. Do not defeat the safety purpose of the grounding-type plug.

2. Power Sources

Operate your product only from the type of power source indicated on the marking label. If you are not sure of the type of power supply to your home, consult your product dealer or local power company. If your product is intended to operate from battery power, or other sources, refer to the operating instructions.

3. Overloading

Do not overload wall outlets, extension cords, or integral convenience receptacles as this can result in a risk of fire or electric shock.

4. Power Cord Protection

Power supply cords should be routed so that they are not likely to be walked on or pinched by items placed upon or against them, paying particular attention to cords at plugs, convenience receptacles, and the point where they exit from the product.

5. Ventilation

Slots and openings in the cabinet are provided for ventilation. To ensure reliable operation of the product and to protect it from overheating, these openings must not be blocked or covered.

- Do not block the openings by placing the product on a bed, sofa, rug or other similar surface.
- Do not place the product in a built-in installation such as a bookcase or rack unless proper ventilation is provided or the manufacturer's instructions have been adhered to.

6. Wall or Ceiling Mounting

The product should be mounted to a wall or ceiling only as recommended by the manufacturer.

ANTENNA INSTALLATION INSTRUCTIONS

1. Outdoor Antenna Grounding

If an outside antenna or cable system is connected to the product, be sure the antenna or cable system is grounded so as to provide some protection against voltage surges and built-up static charges. Article 810 of the National Electrical Code, ANSI/NFPA 70, provides information with regard to proper grounding of the mast and supporting structure, grounding of the lead-in wire to an antenna discharge unit, size of grounding conductors, location of antenna discharge unit, connection to grounding electrodes, and requirements for the grounding electrode.

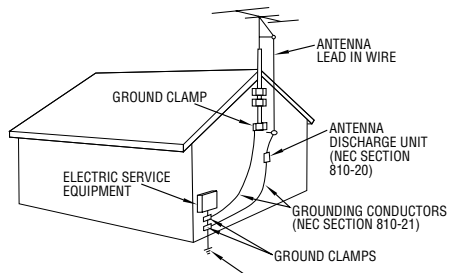
2. Lightning

For added protection for this product during a lightning storm, or when it is left unattended and unused for long periods of time, unplug it from the wall outlet and disconnect the antenna or cable system. This will prevent damage to the product due to lightning and power-line surges.

3. Power Lines

An outside antenna system should not be located in the vicinity of overhead power lines or other electric light or power circuits, or where it can fall into such power lines or circuits. When installing an outside antenna system, extreme care should be taken to keep from touching such power lines or circuits as contact with them might be fatal.

EXAMPLE OF ANTENNA GROUNDING AS PER NATIONAL ELECTRICAL CODE, ANSI/NFPA 70



POWER SERVICE GROUNDING ELECTRODE SYSTEM
(NEC ART 250. PART H)

NEC – NATIONAL ELECTRICAL CODE

USE

1. Accessories

To avoid personal injury:

- Do not place this product on an unstable cart, stand, tripod, bracket or table. It may fall, causing serious injury to a child or adult, and serious damage to the product.
- Use only with a cart, stand, tripod, bracket, or table recommended by the manufacturer or sold with the product.
- Use a mounting accessory recommended by the manufacturer and follow the manufacturer's instructions for any mounting of the product.
- Do not try to roll a cart with small casters across thresholds or deep-pile carpets.

2. Product and Cart Combination

A product and cart combination should be moved with care. Quick stops, excessive force, and uneven surfaces may cause the product and cart combination to overturn.

3. Water and Moisture

Do not use this product near water—for example, near a bath tub, wash bowl, kitchen sink or laundry tub, in a wet basement, or near a swimming pool and the like.

PORTABLE CART WARNING
(Symbol provided by RETAC)



4. Object and Liquid Entry

Never push objects of any kind into this product through openings as they may touch dangerous voltage points or short-out parts that could result in a fire or electric shock. Never spill liquid of any kind on the product.

5. Attachments

Do not use attachments not recommended by the manufacturer of this product as they may cause hazards.

6. Cleaning

Unplug this product from the wall outlet before cleaning. Do not use liquid cleaners or aerosol cleaners. Use a damp cloth for cleaning.

7. Heat

The product should be situated away from heat sources such as radiators, heat registers, stoves, or other products (including amplifiers) that produce heat.

SERVICING

1. Servicing

If your product is not operating correctly or exhibits a marked change in performance and you are unable to restore normal operation by following the detailed procedure in its operating instructions, do not attempt to service it yourself as opening or removing covers may expose you to dangerous voltage or other hazards. Refer all servicing to qualified service personnel.

2. Damage Requiring Service

Unplug this product from the wall outlet and refer servicing to qualified service personnel under the following conditions:

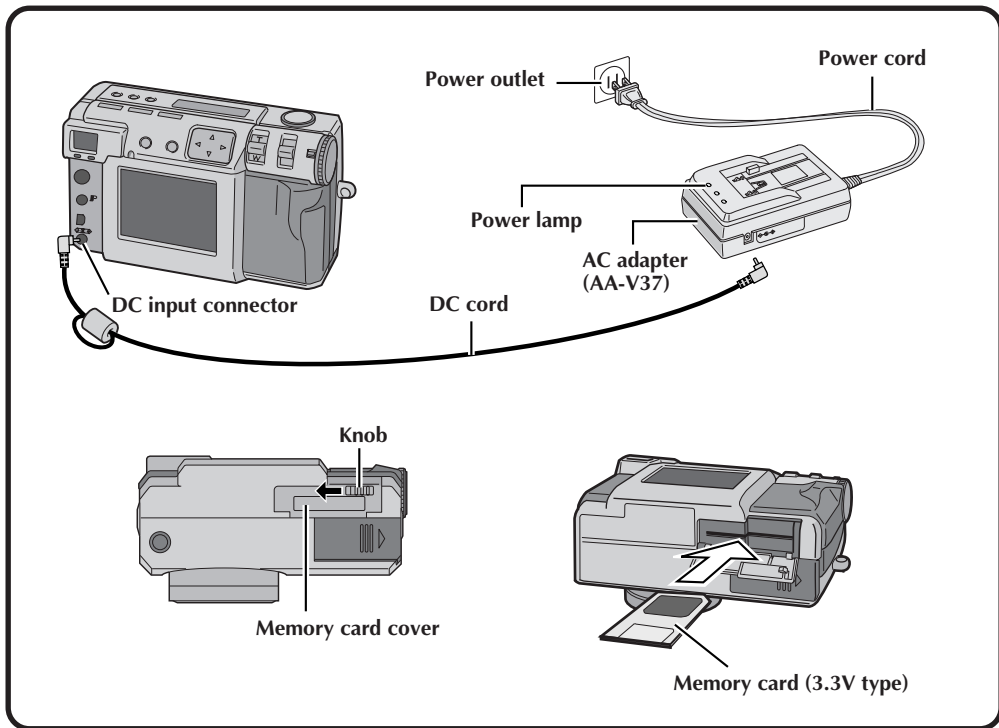
- When the power supply cord or plug is damaged.
- If liquid has been spilled, or objects have fallen into the product.
- If the product has been exposed to rain or water.
- If the product does not operate normally by following the operating instructions. Adjust only those controls that are covered by the operating instructions as an improper adjustment of other controls may result in damage and will often require extensive work by a qualified technician to restore the product to its normal operation.
- If the product has been dropped or damaged in any way.
- When the product exhibits a distinct change in performance—this indicates a need for service.

3. Replacement Parts

When replacement parts are required, be sure the service technician has used replacement parts specified by the manufacturer or have the same characteristics as the original part. Unauthorized substitutions may result in fire, electric shock or other hazards.

4. Safety Check

Upon completion of any service or repairs to this product, ask the service technician to perform safety checks to determine that the product is in safe operating condition.

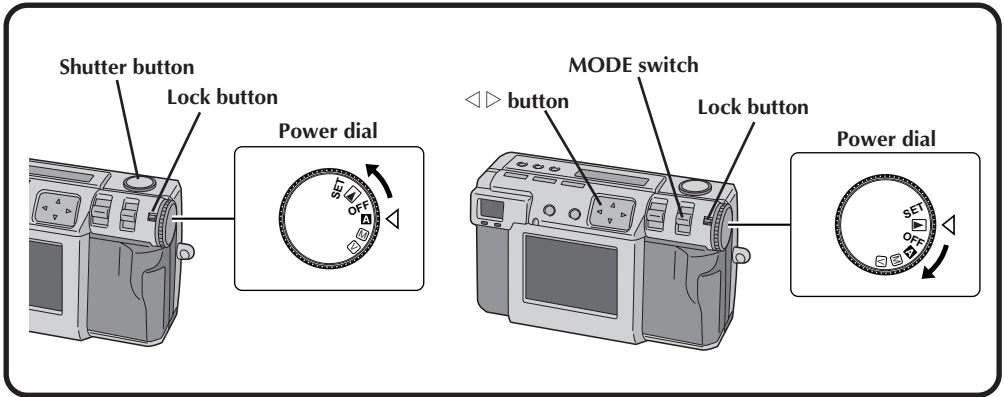


Connect the Camera to a Power Outlet. (👉 pg. 20)

- 1** Open the connector cover on the rear of the camera.
- 2** Connect the DC cord to the DC input connector.
- 3** Connect the DC cord to the DC input connector on the AC adapter.
- 4** Connect the power cord to a power outlet.
 - The power lamp on the charger lights.

Insert the Memory card. (👉 pg. 22)

- 1** Open the Memory card cover.
 - Slide the knob to the open position.
- 2** Insert the Memory card.
 - Insert the card so that the contact surface is facing up and the notch on the card is on the right.
 - Turn power dial to "OFF" before inserting or removing a Memory Card.
- 3** Close the Memory card cover.
 - Slide the knob to the close position.



Shoot a Picture. (👉 pg. 30)

- 1** Turn the Power dial to "A" (full auto mode).
 - Hold the Lock button down while turning the Power dial.
- 2** Point the lens at the subject, position yourself, and half-press the Shutter button.
 - Look through the finder.
 - The focus is attained when the shoot standby lamp (green) changes from flashing to steadily on.
- 3** Press the Shutter button all of the way to take the picture.
 - The picture image is stored in the Memory card.

Play back a Picture. (👉 pg. 31)

- 1** Turn the Power dial to "M".
 - Hold the Lock button down while turning the Power dial.
- 2** Select "STILL PB" with the MODE switch.
- 3** Press the ◀▶ button to select the picture that you wish to view.

Four high-quality still image shooting modes

1. 6M Pro-Still (Pixel Shift Mode) (GC-QX5HD only) (☞ pg. 46)

This mode collects twice as much image data by using two exposures (with the CCD shifted one pixel for the second exposure), resulting in an image consisting of 6 million pixels, or twice as many in normal mode.

2. DR Pro-Still (Wide Range Mode) (GC-QX5HD only) (☞ pg. 47)

This mode uses two exposures, one with the exposure adjusted for the dark portions of the image, and one with the exposure adjusted for the bright portions of the image. By using the image data from both exposures, it is possible to achieve a wide dynamic range that was previously impossible. This mode avoids pictures where part of the image is blacked out or whited out, which occurs easily with conventional digital cameras.

3. NR Pro-Still (Noise Reduction Mode) (☞ pg. 48)

This mode uses several exposures to collect a large amount of image information, then extracts the signal components and eliminates the noise components. This mode eliminates electronic noise, which occurs easily with conventional digital cameras.

4. Shooting Film (Film Copy Mode) (GC-QX5HD only) (☞ pg. 50)

This mode allows you to copy photos of images from developed 35 mm film with the provided film copying adapter. You can print them with special effects or a calendar with the optional printer.

Video Shooting

This feature is useful, if you want to send a short video by e-mail.

Collage shooting

This feature allows you to combine a subject with a previously photographed background with a simple operation.

Using the SmartMedia™ card* increases photo capacity

This unit is compatible with SmartMedia™ cards*, which can be used to increase the number of pictures that can be taken.

* "SmartMedia™ card" (which is described as "Memory card" in this instruction manual) is a trademark of Toshiba Corporation.

Before taking important photos

- When you need to take an important photo, always take a test photo first and confirm that the camera is operating normally.
- Memory card is not installed when this unit is purchased. Be sure to install a Memory card before taking photos.
- Before shooting, always confirm how much memory is remaining from the memory card.
- We cannot bear any responsibility for an inability to shoot, record, or playback material normally in the event of a problem with a digital video camera, Memory card, etc.
- Store backups of important photos on a personal computer, etc. We cannot bear any responsibility for pictures stored in memory that are lost or altered.

Copyrights

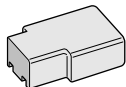
You may only use material that you photograph or record with this digital camera for your own personal use, and not in any way that infringes on the copyrights of a third party. (Note that some performances and exhibits have restrictions against photography, even if only for your personal use.)

SAFETY PRECAUTIONS	2
QUICK START	5
MAJOR FEATURES	7
CONTENTS	8
CONTROLS, CONNECTORS AND INDICATORS	10
GETTING STARTED	18
Charging the Battery	18
Installing a Charged Battery	19
Connecting the Camera to a Power Outlet	20
Attaching the Hand strap	21
Attaching the Lens Cover	21
Inserting the Memory Card	22
Formatting a Memory Card	23
BASIC OPERATION	24
Viewfinder	24
Shutter Button	24
Good Photography Posture	25
Mounting the Camera on a Tripod	25
Selecting the Shooting Mode	26
Zoom Shooting	27
Selecting the Picture Size	28
Selecting the Picture Quality	29
Full Auto Shooting	30
Playing Back Still Pictures	31
Self Timer	32
Flash Shooting	33
MANUAL SHOOTING	34
Manual Focus	34
Iris Setting	35
Macro Shooting	36
Exposure Control	37
White Balance Adjustment	38
Manual White Balance Adjustment	39
Sensitivity Setting	40
Changing the Zoom Power While Shooting	41
Shooting Continuous Photos (GC-QX5HD only)	42
Changing the AF/AE Area	43
Restoring the Default Settings	44
Collage Mode (GC-QX5HD only)	45
6M Pro-Still (Pixel Shift Mode) (GC-QX5HD only)	46
DR Pro-Still (Wide Range Mode) (GC-QX5HD only)	47
NR Pro-Still (Noise Reduction Mode)	48
Installing the Film Copying Adapter (GC-QX5HD only)	49
Shooting Film (Film Copy Mode) (GC-QX5HD only)	50
Video Shooting	52
PLAYBACK	53
Video Playback	53
Display Mode during Playback	54
Brightness Adjustment of LCD Screen	54
Protecting Pictures	55
Deleting Pictures	56
Adding Special Effects	57
Inputting the Date	59
Inputting the Calendar	60

Connecting the Camera to a TV or HDTV	61
PRINT	62
Connecting the Camera to a Printer	62
Printing a Picture	63
Printing by DPOF Setting	65
SUBSIDIARY SETTINGS	67
Changing Settings in the SET UP Menu	67
Setting the Date and Time	69
SOFTWARE SECTION FOR Windows®	71
SOFTWARE SECTION FOR Macintosh®	78
Presto! Mr. Photo Gold	85
TROUBLE SHOOTING	92
SPECIFICATIONS	96
INDEX	98
CAUTIONS	99
FOR SERVICING (Only in U.S.A.)	102
WARRANTY (Only in U.S.A.)	103

PROVIDED ACCESSORIES

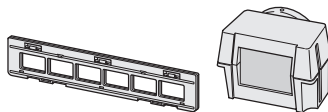
Battery BN-V37



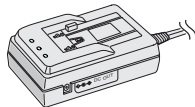
HD video cable



Film holder/Film copying adapter
(GC-QX5HD only)



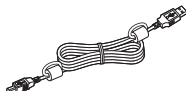
AC power adapter/
charger (AA-V37)



DC cable



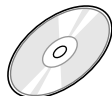
USB cable



Video cable



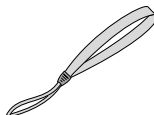
CD-ROM



Memory card (3.3V type)
(GC-QX5HD: 16 MB,
GC-QX3HD: 8 MB)



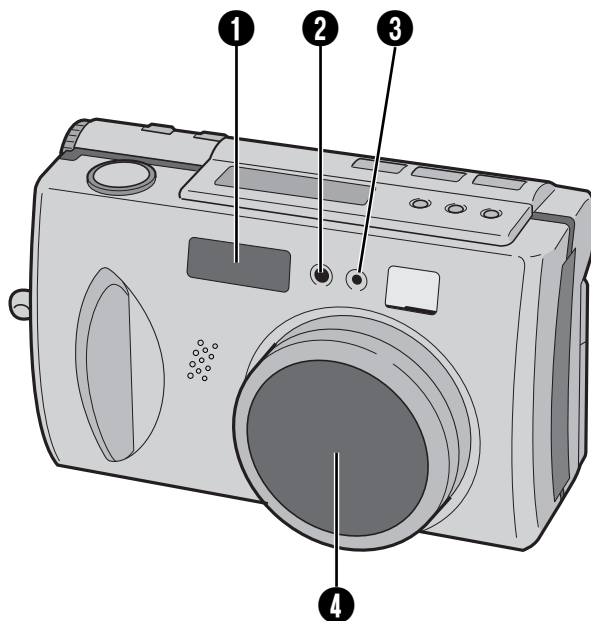
Hand strap



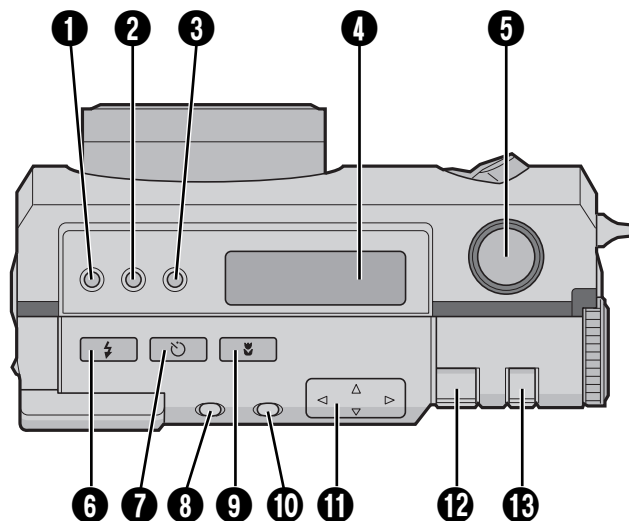
Lens cover



Front View



Top View



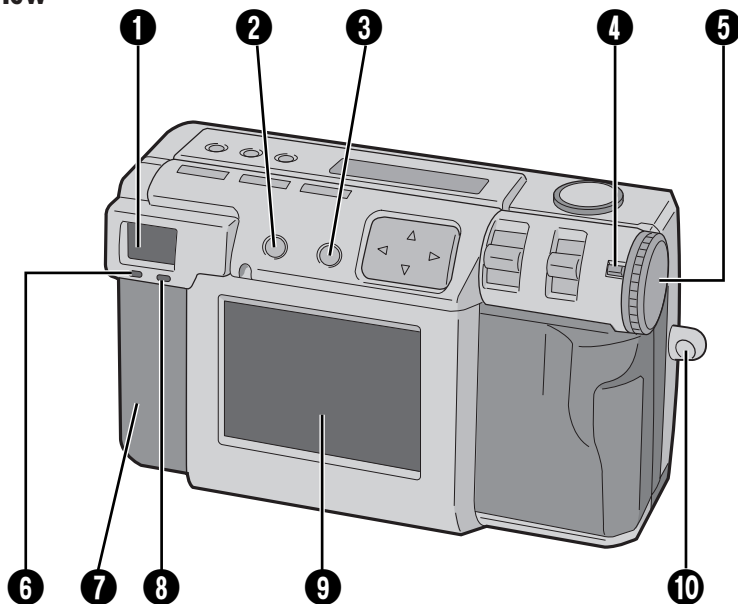
Front View

- 1 **Flash** pg. 33
Use the flash when shooting in dark conditions.
- 2 **Flash sensor**
This sensor is needed for adjusting the brightness when using the flash.
- 3 **Self timer lamp** pg. 32
Blinks when the self timer is running.
- 4 **Zoom lens** pg. 27
Point the lens towards the subject when taking a picture. Because the lens is extremely vulnerable to damage from physical impacts, handle it very carefully. Striking or dropping the lens can damage the lens.

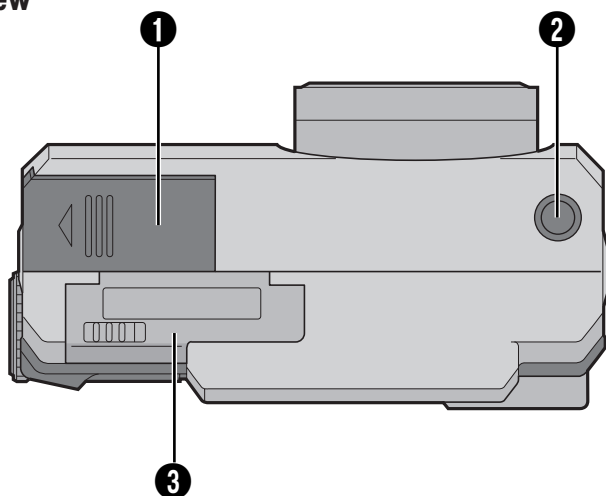
Top View

- 1 **Exposure control button (+/-)** pg. 37
Press this button to check the brightness setting and to change the brightness setting for shooting photos.
- 2 **FOCUS button** pg. 34
Press this button to check the current focus mode or to change the focus mode.
- 3 **IRIS button** pg. 35
Press this button to check the current iris mode or to change the iris mode.
- 4 **LCD panel** pg. 14
Indicates the current mode through text and symbols.
- 5 **Shutter button** pg. 24
This button has two modes: press it half way to focus on the subject; press it all of the way to shoot a photo.
- 6 **Flash button** pg. 33
Press this button to change the flash mode.
- 7 **Self timer button** pg. 32
Press this button to change the time setting for the self timer.
- 8 **DISPLAY button** pg. 31, 38
Press this button to turn the LCD screen on and off, and to select the menu display in camera mode and the index display in playback mode.
- 9 **Macro button** pg. 36
Press this button to set macro mode.
- 10 **EXE (execute) button** pg. 23, 53
This button is used to finalize selections on each menu, and also serves as a video playback button.
- 11 **Directional button (△ ▽ ◀ ▶)** pg. 23
Press this button to make various settings and selections.
- 12 **ZOOM lever** pg. 27, 54
Use this for zoom shooting and to adjust the brightness of the LCD screen.
- 13 **MODE switch** pg. 17
Use this switch to change shooting and playback modes.

Rear View



Bottom View



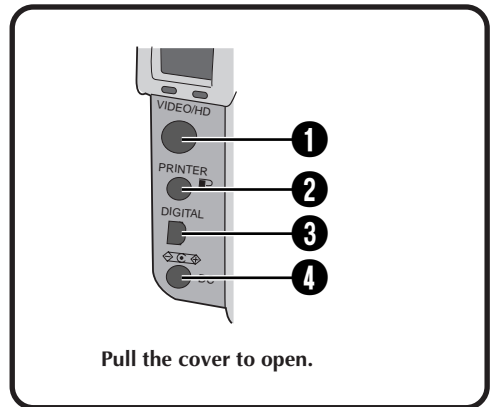
Rear View

- 1 Viewfinder**
Look through here when framing and focusing your shot.
- 2 DISPLAY button** pg. 31, 38
Press this button to turn the LCD screen on and off, and to select the menu display in camera mode and the index display in playback mode.
- 3 EXE (execute) button** pg. 23, 53
This button is used to finalize selections on each menu, and also serves as a video playback button.
- 4 Lock button** pg. 23
Hold down this button in order to turn the Power dial.
- 5 Power dial** pg. 23
Hold down the Lock button and turn this dial to turn the power on and off and to change the mode of the camera.
- 6 Shoot standby lamp (green)** pg. 30
The camera is ready to shoot a photo when this lamp changes from flashing to steadily on.
- 7 Connectors cover**
Refer to the "Connectors" on the right.
- 8 Flash standby lamp (red)** pg. 33
The flash is ready when this lamp changes from flashing to steadily on.
- 9 LCD screen** pg. 15
The photo subject/playback picture is displayed on this screen.
- 10 Hand strap/lens cover mount** pg. 21
This is used to attach the hand strap or a lens cover.

Bottom View

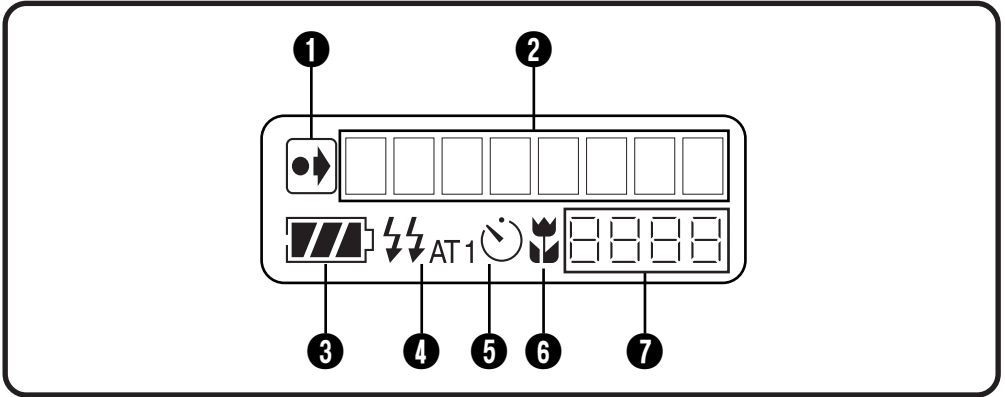
- 1 Battery cover** pg. 19
Open this cover to replace the battery.
- 2 Tripod mount hole** pg. 25
Use this hole to mount the camera on a tripod. Use a tripod that does not have a rotation stopper.
- 3 Memory card cover** pg. 22
Open this cover to install/remove a Memory card.

Connectors



- 1 VIDEO/HD output connector** pg. 61
This is to connect to view picture on a TV or HDTV.
- 2 PRINTER output connector** pg. 62
This is to connect an optional printer (GV-SP2) to the camera via an optional cable.
- 3 DIGITAL output connector** ... pg. 71, 78
This is to connect the camera to a personal computer.
- 4 DC input connector** pg. 20
Power from the provided AC adapter (AA-V37) is input here through a DC cord.

LCD Panel



1 Indicator of initial settings having been changed

This indicator is displayed if the initial settings have been changed.

2 Mode display

Displays the current mode.

3 Remaining battery power indicator

This bar graph gives a rough indication of how much battery power is remaining.

4 Flash indicator pg. 33

This indicator is displayed if the flash button has been pressed and a mode that generates a flash (auto, forced on, or red-eye prevention) has been set.

5 Timer mode indicator pg. 32

This indicator is displayed if the Self timer button has been pressed and the timer mode has been set to either "1 second" or "8 seconds".

6 Macro mode indicator pg. 36

This indicator is displayed if the macro button has been pressed and the macro mode has been turned on.

7 Remaining photos counter

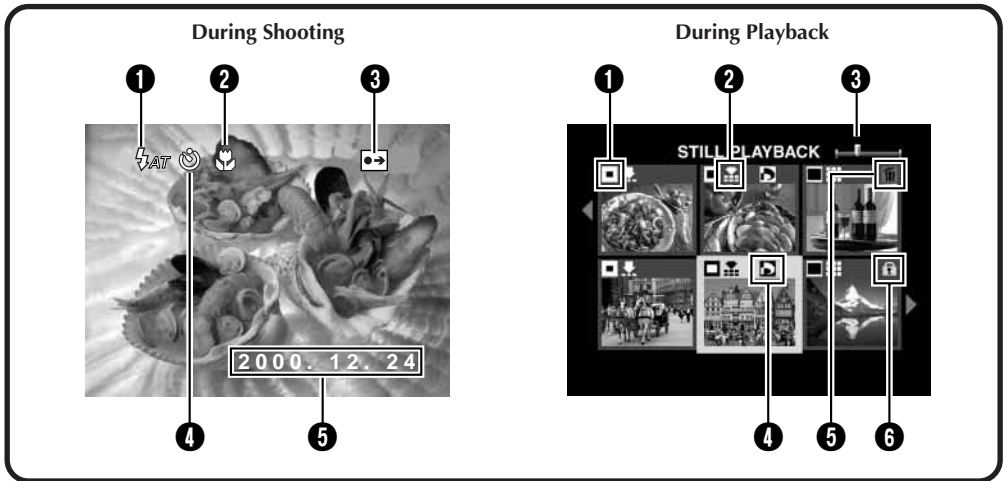
This indicates how many photos can still be taken.

Power Dial and Mode Display





The mode display appears on the LCD panel and screen, when the Power dial is set to certain position. Refer to the chart below for each mode. Press the DISPLAY button to display the image, when the Power dial is set to "A", "M" or "V". Hold the Lock button down while turning the Power dial.

Power dial position	LCD panel	On-screen display	Page
SET	SET UP	Displays the SET UP menu	16
	STILL PB	Displays the playback image	31
OFF	—	—	—
	CAM AUTO	Displays the image	30
	MANUAL	Displays the image	34
	VIDEO	Displays the image	52



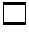


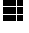



On-screen Display



During Shooting

- 1 Flash indicator**  [pg. 33](#)
 Appears when the flash button has been pressed and a mode that generates a flash (auto, forced on, or red-eye prevention) has been set.
- 2 Macro mode indicator**  [pg. 36](#)
 Appears when the macro button has been pressed and the macro mode has been turned on.
- 3 Indicator of initial settings having been changed** 
 Appears when the initial settings have been changed. When the EXE button is pressed, the changed settings are displayed.
- 4 Timer mode indicator**  [pg. 32](#)
 Appears when the Self timer button has been pressed and the timer mode has been set to either "1 second" or "8 seconds".
- 5 Date display** [pg. 69](#)
 Depending on the setting, there are three different types of date displays: Year/Month/Day, Month/Day/Year, and Day/Month/Year.

During Playback

- 1 Picture size indicator** [pg. 28](#)
 : 640 x 480
 : 1024 x 768
 : 2032 x 1536
- 2 Picture quality indicator** [pg. 29](#)
 : standard quality
 : fine quality
 : uncompressed quality
- 3 Image position indicator**
 Indicates the current position of the displayed image in the memory.
- 4  indicator** [pg. 65](#)
 Appears for a picture for which DPOF was set.
- 5  indicator** [pg. 56](#)
 Appears for a picture selected for deletion.
- 6  indicator** [pg. 55](#)
 Appears for a protected picture.

Menu Screens

SET UP Menu Screen

Turn the Power dial to "SET" to display the SET UP screen.

Refer to the following pages for a detailed description of operation.

SET UP		
POWER SAVE	1min.	☞ pg. 67
BEEP	HIGH	☞ pg. 67
No. RESET	EXE	☞ pg. 67
FORMAT	EXE	☞ pg. 23
DATE/TIME	EXE	☞ pg. 69

CAMERA SETTING Menu Screen

Turn the Power dial to "M", then press the DISPLAY button until the CAMERA SETTING screen appears. To turn off the menu screen, press the DISPLAY button.

Refer to the following pages for a detailed description of operation.

CAMERA SETTING		
FRAME	1024X768	☞ pg. 28
QUALITY	FINE	☞ pg. 29
Q. REVIEW	ON	☞ pg. 29
W. BALANCE	AUTO	☞ pg. 38
SENS.	80	☞ pg. 40
TELEPHOTO	1X	☞ pg. 41
M. DRIVE	OFF	☞ pg. 42
AF/AE	MULTI	☞ pg. 43
CLEAR	EXE	☞ pg. 44

CAMERA SETTING Confirmation Screen

Turn the Power dial to "M", then press the DISPLAY button to turn on the LCD screen (with on-screen display) and hold down the EXE button. The CAMERA SETTING confirmation screen is displayed while the EXE button is held down. The confirmation screen will not appear when the LCD screen is turned on without on-screen display.

Iris (☞ pg. 35) — F2.8/3.8
 Focus (☞ pg. 34) — 2.4m/8ft
 Shutter speed (automatic setting) — 1/750
 Exposure (☞ pg. 37) — +0.5
 Indicator of initial settings having been changed (☞ pg.15)

W. BALANCE	AUTO
SENS.	160
TELEPHOTO	1X
M. DRIVE	OFF
AE/AF	MULTI

Playback Menu Screens

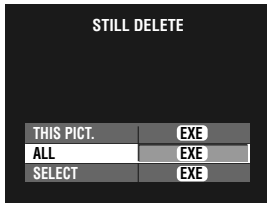
Turn the Power dial to "▶" (playback), and then select each mode with the MODE switch. The selected mode appears on the LCD screen.

STILL PLAYBACK



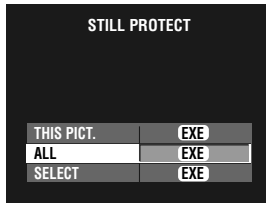
(☞ pg. 31)

STILL DELETE



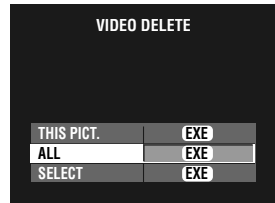
(☞ pg. 56)

STILL PROTECT



(☞ pg. 55)

VIDEO DELETE



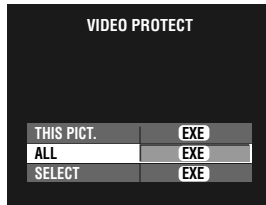
(☞ pg. 56)

VIDEO PLAY



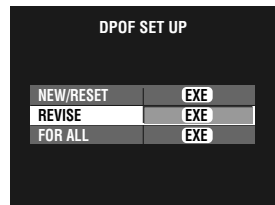
(☞ pg. 52)

VIDEO PROTECT



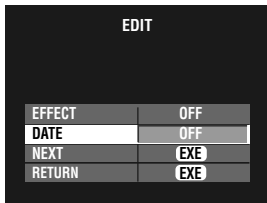
(☞ pg. 55)

DPOF SET



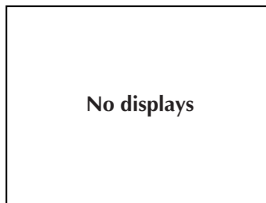
(☞ pg. 65)

EDIT



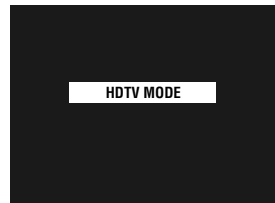
(☞ pg. 57)

USB MODE



(☞ pg. 74, 81)

HDTV MODE (GC-QX5HD only)



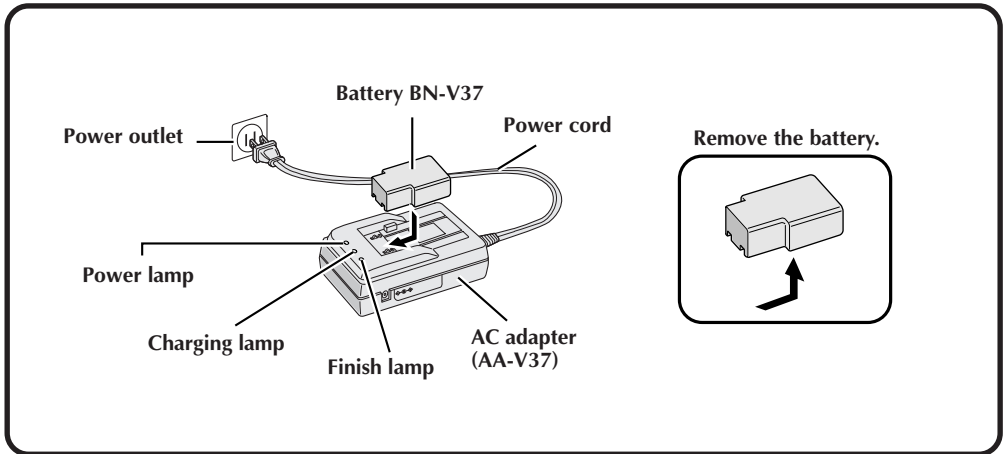
(☞ pg. 61)

NOTE:

- It is not possible to change the settings on the menu screen when the item's letters appear gray.

Charging the Battery

Charge the battery with the AC adapter (provided).



1 Connect the AC adapter's power cord to a power outlet.

- The "Power" lamp lights.

2 Install the battery.

- The "Charging" lamp lights.
- Charging is complete when the "Charging" lamp turns off and the "Finish" lamp lights.

3 Remove the battery.

Approximate number of pictures that can be taken with a fully charged battery (BN-V37)

Maximum number:

50 pictures

(when shooting every 30 seconds at normal temperature, with the flash, zooming, auto focus and the LCD screen turned on)

NOTE:

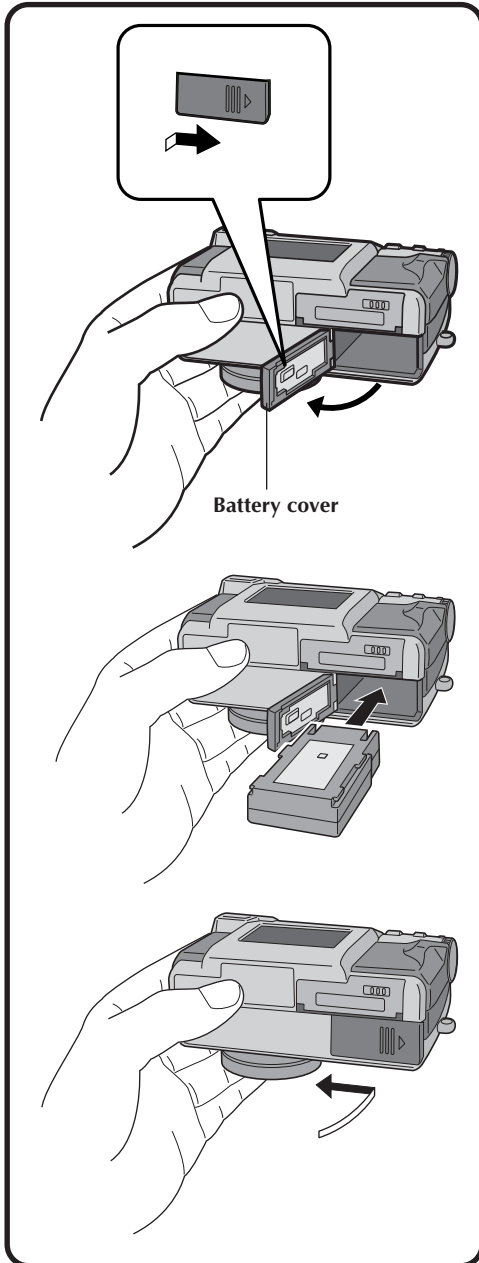
- Depending on the settings of the flash, zooming, etc., the number of pictures that can be taken may decrease.

NOTES:

- Approximate charging time is 90 minutes for one battery (BN-V37). (at a temperature from 10°C to 35°C or from 50°F to 95°F)
- **Charging is not possible if the DC cord is connected to the AC adapter.**
- The battery is no longer usable, if the shooting time is short with the battery fully charged. Replace the battery with a new one.
- The Power dial can be turned to "ON" accidentally, when you put the camera in a bag, etc. If the camera is left turned on, the battery will be used up and you will not be able to shoot a photo. **It is recommended to remove the battery from the camera when you carry the camera.**

Installing a Charged Battery

The battery (provided) is not charged when the camera is purchased. Be sure to charge the battery with the AC adapter before using the camera.



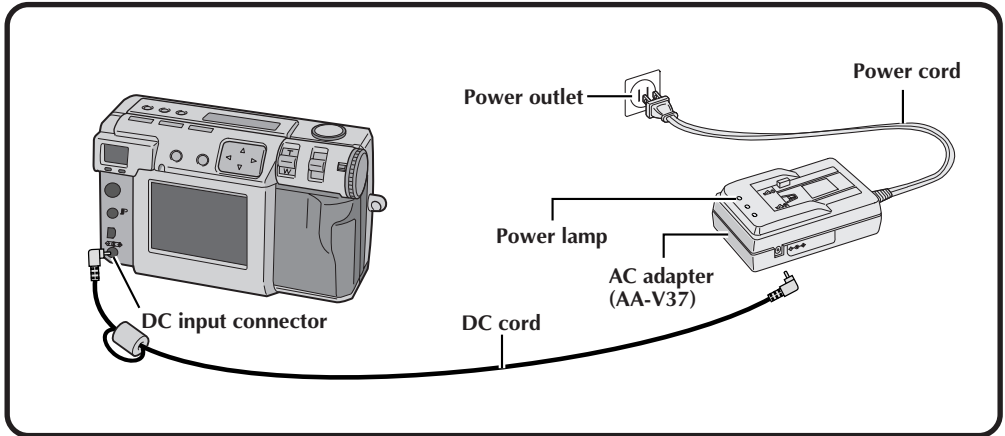
- 1 Slide the battery cover slightly to open.
- 2 Insert a charged battery, making sure that it is oriented correctly.
- 3 Close the battery cover and slide it back.

Removing the Battery

- 1 Slide the battery cover slightly to open.
- 2 Remove the battery.

Connecting the Camera to a Power Outlet

The AC adapter (provided) is useful when shooting photos indoors for an extended period of time. The adapter can also be used overseas if you use a conversion plug.

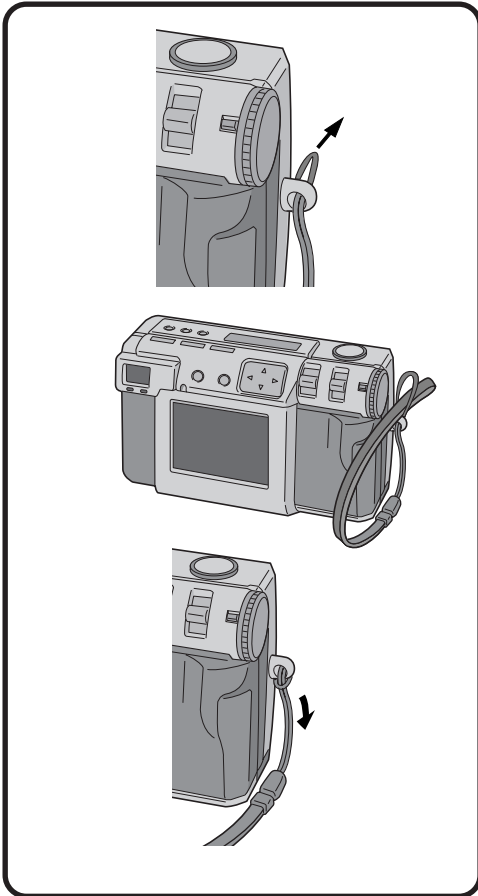


- 1** Open the connector cover on the rear of the camera.
- 2** Connect the DC cord to the DC input connector.
- 3** Connect the DC cord to the DC input connector on the AC adapter.
- 4** Connect the power cord to a power outlet.
 - The power lamp lights.

NOTES:

- Make sure to use the provided AC adapter (AA-V37).
- Do not attempt to use an AC adapter for a video camera or other electronic device with this camera. Differences in voltage levels can damage the camera.
- Use the AC adapter in order to safely format Memory cards, delete pictures or send pictures to a connected personal computer.

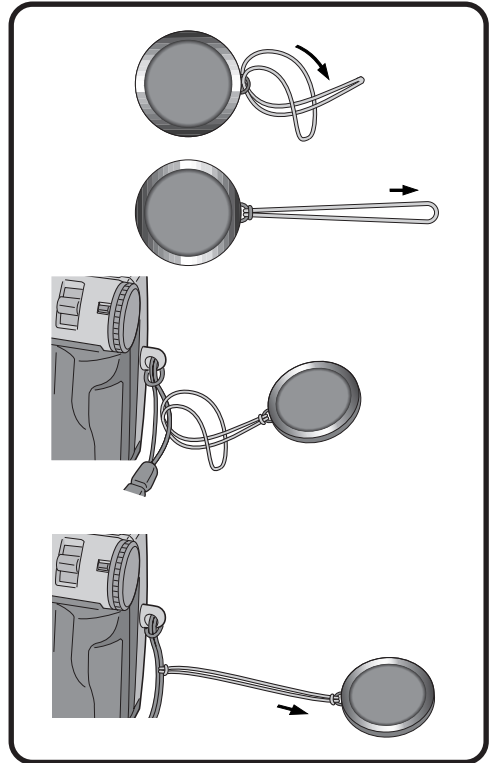
Attaching the Hand strap



1 Pass one end of the hand strap through the mounting hole.

2 Pass the other end through the loop.

Attaching the Lens Cover



1 Pass one end of the strap through the mounting hole on the lens cover.

2 Pass the other end through the loop.

3 Attach the strap of the lens cover to the hand strap.

NOTES:

- *Do not turn on the camera when the lens cover is attached. Doing so could result in the damage to the lens part.*
- *Make sure to attach the lens cover when the camera is not in use.*
- *Make sure to use the optional lens cleaning paper to clean fingerprints from the lens surface, and to clean the lens after shooting with the camera in warm, humid locations (by the seaside, in the mountains, etc.). Store the camera in a well-ventilated location with little dust or debris.*

Inserting the Memory Card

Make sure to turn the Power dial to "OFF", when inserting a Memory card. Memory card is not loaded in the camera, when purchasing the camera.

1 Open the Memory card cover.

- Slide the knob towards "OPEN".

2 Insert the Memory card.

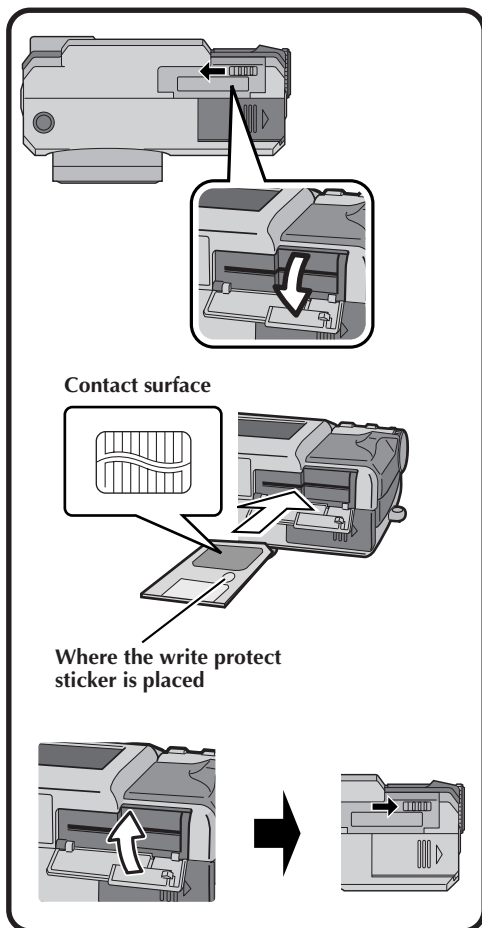
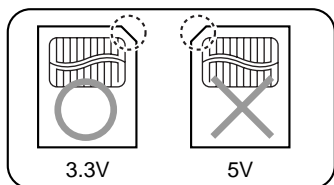
- Insert the card so that the contact surface is facing up and the notch on the card is on the right.
- Do not touch the contact surface on the card.

3 Close the Memory card cover.

- Slide the knob to lock the cover.

NOTES:

- There are two types of Memory cards (the 3.3V type which is indicated by a notch on the right side, and the 5V type which is indicated by a notch on the left side). This camera uses only Memory cards (3.3V) with a notch on the right side.
- The maximum memory card capacity that can be used with this camera is 64MB.
- To avoid damage to the Memory card, do not drop or strike the Memory card against hard objects.
- To protect the entire content of the Memory card after shooting, peel and stick a write protect sticker as shown in the right.



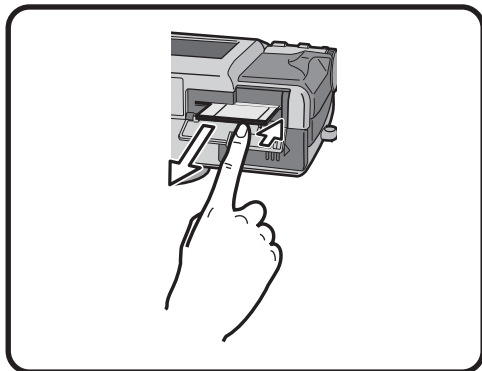
Removing the Memory Card

1 Open the Memory card cover.

- Slide the knob towards "OPEN".

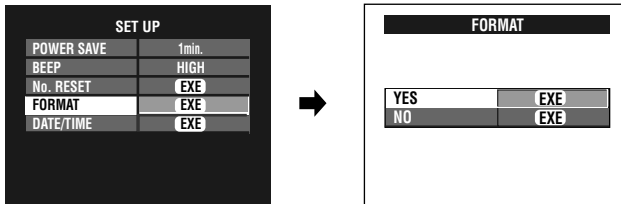
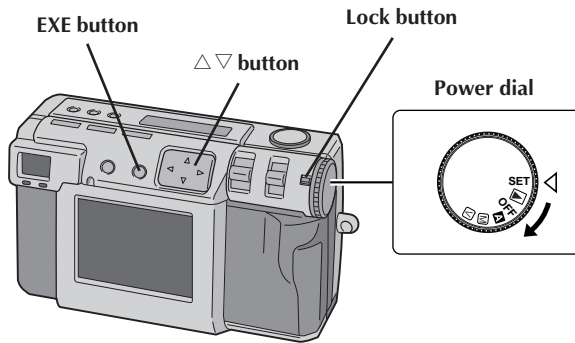
2 Remove the Memory card.

- Push on the card to remove it.



Formatting a Memory Card

If your Memory card has not been formatted, it must be formatted before it can be used. When a Memory card is formatted, all pictures in the card will be lost.



Make sure to use the provided AC adapter (AA-V37) to power the camera, when formatting a Memory card. (☞ pg. 20)

1 When the message "FORMAT MEMORY CARD" appears, turn the Power dial to "SET".

- Hold the Lock button down while turning the Power dial.
- The SET UP screen appears.

2 Press the $\Delta \nabla$ button to select "FORMAT".

3 Press the EXE button.

- The FORMAT screen appears.

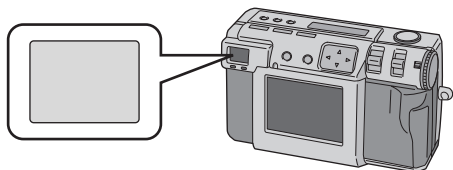
4 Press the $\Delta \nabla$ button to select "YES".

5 Press the EXE button.

- "NOW FORMATTING" appears.
- Do not turn off the power or perform any other operations while formatting is in progress.
- The formatting starts, and the contents of memory are erased. When formatting is completed, the SET UP screen appears.
- Make sure to save pictures that you need by transferring them to the PC, etc.

Viewfinder

This camera is equipped with an optical viewfinder.

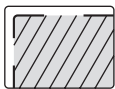


Normal Shooting

To focus, point the camera so that the subject appears within the finder, and then press the shutter button.

Macro Shooting

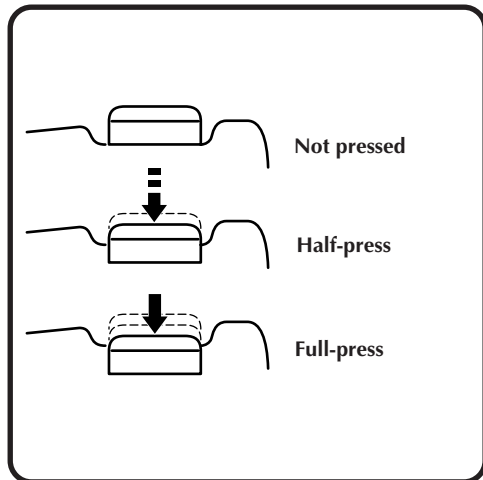
When shooting close-up, make sure the subject being photographed is within the frame inside the finder (indicated with diagonal lines).



NOTES:

- In close-up (macro) shooting, the area that is actually photographed will be slightly below the area that can be seen in the viewfinder. The closer the camera is the subject, the greater that this displacement is.
- It is recommended that you view the subject with the LCD screen for an important shot.

Shutter Button



The camera's Shutter button is a two-step button. Pressing it halfway (to the first step) causes the photo standby lamp (green) to flash while the camera focuses automatically. Once the camera is focused, the photo standby lamp (green) lights steadily. Pressing the Shutter button halfway (to the first step) is called a "half-press." Pressing the button from the half-press position to the full-press position causes the camera to take a picture.

NOTES:

- Suddenly pressing the Shutter button with your finger or pressing too strongly can result in a picture that is at an angle or which is blurry. Press the button smoothly from the half-press position to the full-press position when taking pictures.
- If you have pressed the Shutter button halfway and then release it, the camera will perform the autofocus operation again the next time that you press the Shutter button halfway.
- If you press the Shutter button all the way instead of halfway, a picture can be taken after focusing automatically.

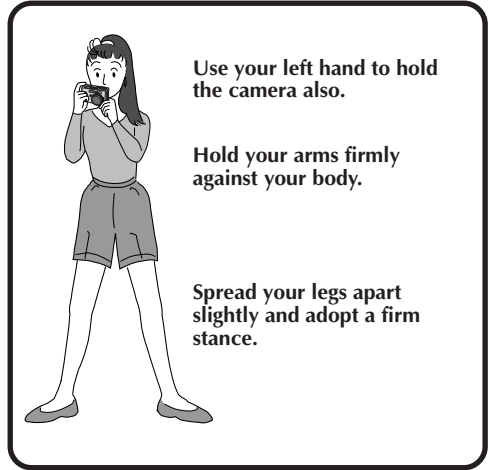
Good Photography Posture

With your left hand firmly supporting the camera to the left of and below the lens, support the camera body with your right hand.

Next, look for your subject and determine the camera position.

You can change the angle of the subject and the background by changing the direction in which you point the camera.

You then frame the shot by using the zoom function, etc., to enlarge or reduce the subject to the desired size within the shot.



Use your left hand to hold the camera also.

Hold your arms firmly against your body.

Spread your legs apart slightly and adopt a firm stance.

Mounting the Camera on a Tripod

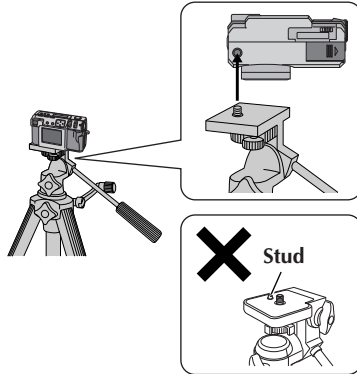
1 Align the screw hole on the bottom of the camera with the screw on the tripod.

2 Turn the screw on the tripod to secure the camera in place.

- Adjust the screw and the length of the legs so that the camera does not wobble at all.

NOTE:

- Use only tripods not equipped with a stud that prevents the camera from rotating.



Using a Tripod

We recommend use of a tripod in the circumstances described below in order to avoid problems caused by shaky hands.

We especially recommend the use of a tripod when using pixel shift mode, wide range mode, or noise reduction mode.

• Low shots

Because it is difficult to assume a steady posture for a low shot, the shot will frequently be on a slant or blurred by shaky hands.

• Dark locations

When shooting in a location that prohibits the use of a flash (such as in a museum), the shutter speed is reduced, which increases the likelihood of problems caused by shaky hands.

• Shooting a distant object through the telephoto feature

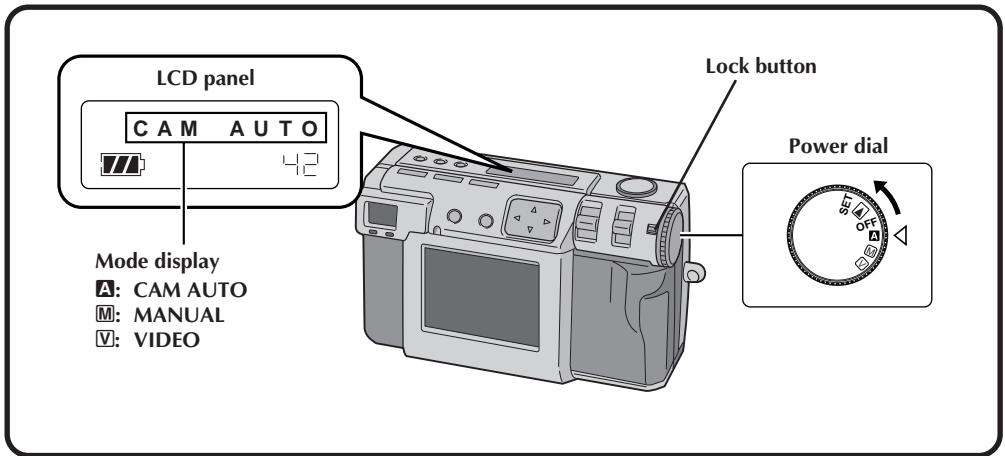
Because the telephoto feature makes a small, distant space appear larger, even the slightest movement of the camera can cause blurring.

• Shooting an extreme closeup

Because a nearby object appears very large when shot in a closeup, the slightest movement in your body or hand can result in a blurred image.

Selecting the Shooting Mode

The Power dial is used to switch among three shooting modes: “**A**”, “**M**” and “**V**”.



1 Select the shooting mode with the Power dial.

- Hold the Lock button down while turning the Power dial.

Turn the Power dial to one of the following modes, depending on your needs:

“A”: **To shoot photos in full auto mode**

In this mode, the camera automatically sets the brightness, the shutter speed, the focus, and the white balance.

“M”: **To shoot photos in manual mode**

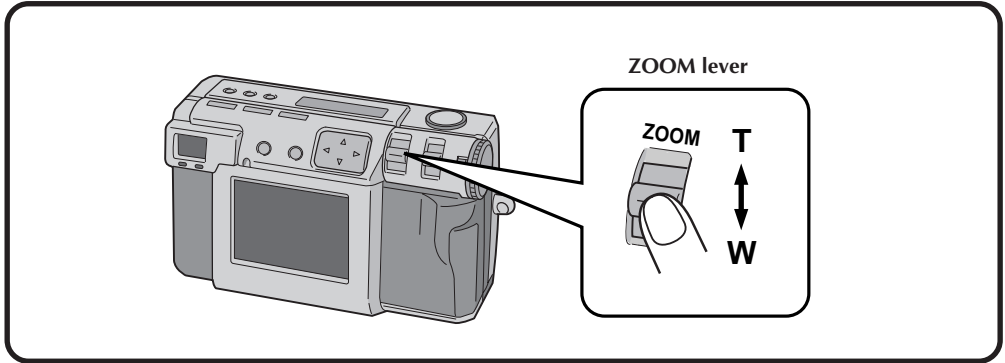
In this mode, you can set the brightness, the shutter speed, the focus, and the white balance manually.

“V”: **To shoot video**

You can shoot up to 20 seconds of video with a screen size of 160 x 120. This feature is useful if you want to send a short video by e-mail.

Zoom Shooting

The camera incorporates a 2.3X zooming function that corresponds to a 37 mm to 86 mm lens of a 35 mm camera. Zooming allows you to shoot wide areas, as well as close-ups of subjects located far away, without changing the shooting position. Turn the Power dial to "A", "M" or "V" when shooting with the zoom function.



Set ZOOM lever to "W" (wide angle).

You can shoot a wider angle.



Set ZOOM lever to "T" (telephoto).

You can shoot a distant subject in closeup.



NOTE:

- With this camera, you can set the "AF" (autofocus)/"AE" (auto exposure) sensor point to either "SPOT" or "MULTI". Switch to "SPOT" if the camera focuses on the background when you zoom in for a closeup. (☞ pg. 43)

Selecting the Picture Size

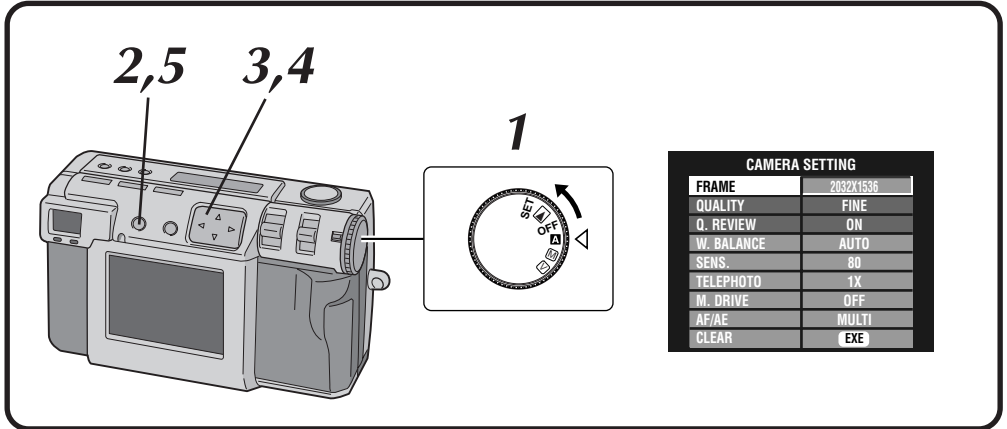
There are three picture sizes, starting with the highest resolution:

2032 x 1536 (QXGA)

1024 x 768 (XGA)

640 x 480 (VGA)

Select the resolution that best fits your needs.



- 1** Turn the Power dial to "A".
 - Hold the Lock button down while turning the Power dial.
- 2** Press the DISPLAY button until the CAMERA SETTING screen appears.
- 3** Press the Δ / ∇ button to select "FRAME".
- 4** Press the \triangleleft / \triangleright button to select either 2032 x 1536, 1024 x 768, or 640 x 480.
 - The frame size is set.
- 5** Press the DISPLAY button to turn off the menu screen.

Approximate number of pictures that can be stored (when using 8MB/16MB):

FRAME	QUALITY	8MB	16MB
2032 x 1536	NO COMP.	–	1
	FINE	8	16
	STANDARD	10	20
1024 x 768	NO COMP.	3	6
	FINE	32	64
	STANDARD	43	86
640 x 480	NO COMP.	8	16
	FINE	65	130
	STANDARD	87	174

NOTE:

- The number of pictures that can be stored varies depending on the shooting condition.

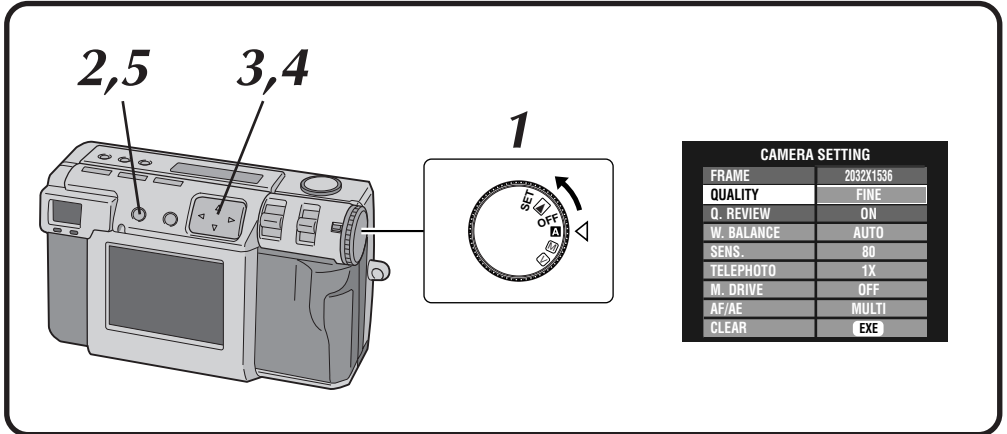
Selecting the Picture Quality

You can select the picture quality according to the purpose for which you want to use the picture. There are three levels of picture quality, starting from the highest quality:

NO COMP. (uncompressed)

FINE (fine)

STANDARD (standard)



- 1** Turn the Power dial to "A".
 - Hold the Lock button down while turning the Power dial.
- 2** Press the DISPLAY button until the CAMERA SETTING screen appears.
- 3** Press the $\Delta \nabla$ button to select "QUALITY".
- 4** Press the $\triangleleft \triangleright$ button to select either "FINE", "STANDARD", or "NO COMP." mode.
 - The new picture quality mode is set.
- 5** Press the DISPLAY button to turn off the menu screen.

NOTE:

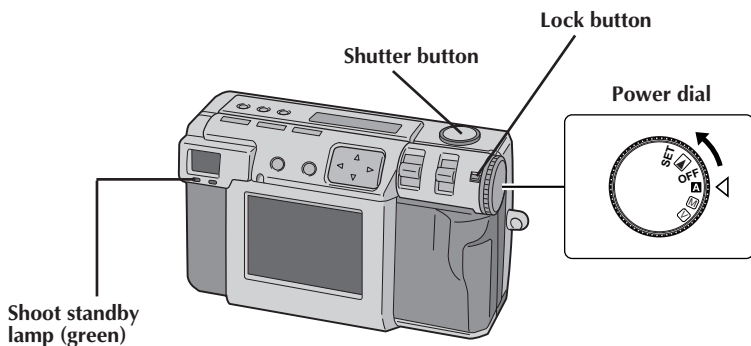
- The number of pictures that can be stored will vary according to the images that are shot, the conditions under which the camera was used, the temperature when used, and the batteries that were used.

Q. REVIEW

Set "Q. REVIEW" to "ON" to check the quality of the picture automatically for 2 seconds as soon as you take.

Full Auto Shooting

This mode allows you to take photos with little effort, since the camera automatically adjusts the focus, the shutter speed, the brightness and the white balance.



1 Turn the Power dial to "A".

- Hold the Lock button down while turning the Power dial.
- The camera turns on in full auto mode.

2 Point the lens at the subject, position yourself, and half-press the Shutter button.

- Look through the finder.
- The camera will automatically focus on the subject while the shutter button is half-pressed.
- The shoot standby lamp (green) flashes. Once focus is attained, the lamp changes from flashing to on.
- To display the image on the LCD screen while shooting, press the DISPLAY button.

3 Press the Shutter button all the way to take the picture.

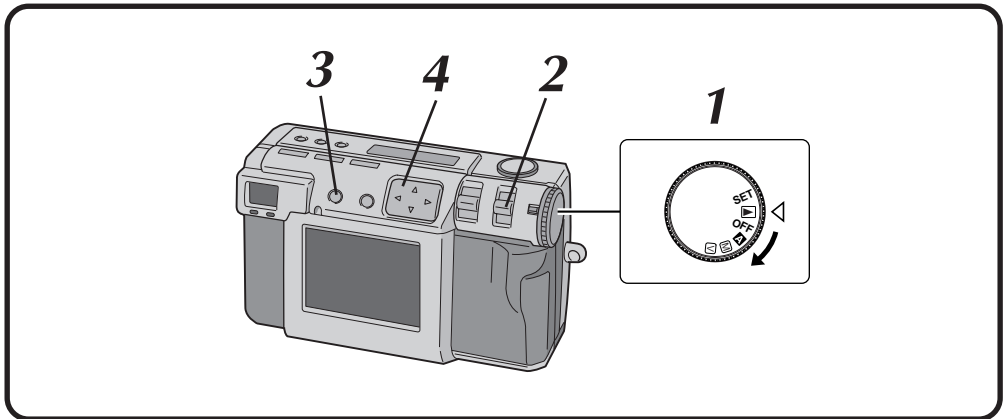
- The picture image is stored in the Memory card.
- The shoot standby lamp (green) goes off when the recording has finished.

NOTES:

- The image on the LCD screen becomes still while the shoot standby lamp (green) flashes.
- It takes a little while to store the picture in the Memory card.

Playing Back Still Pictures

Each picture that you shoot is numbered and saved. You can then view these saved pictures in sequence, one by one.



Normal Playback

- 1** Turn the Power dial to "Still".
 - Hold the Lock button down while turning the Power dial.
- 2** Select "STILL PB" with the MODE switch.
 - "STILL PB" appears on the LCD panel.
 - Select "HDTV" to view pictures on HDTV. (see pg. 61)
- 3** Press the DISPLAY button to select the display mode.
 - It is not possible to select the display mode in HDTV mode.
- 4** Press the <|> button to select the picture that you wish to view.

NOTES:

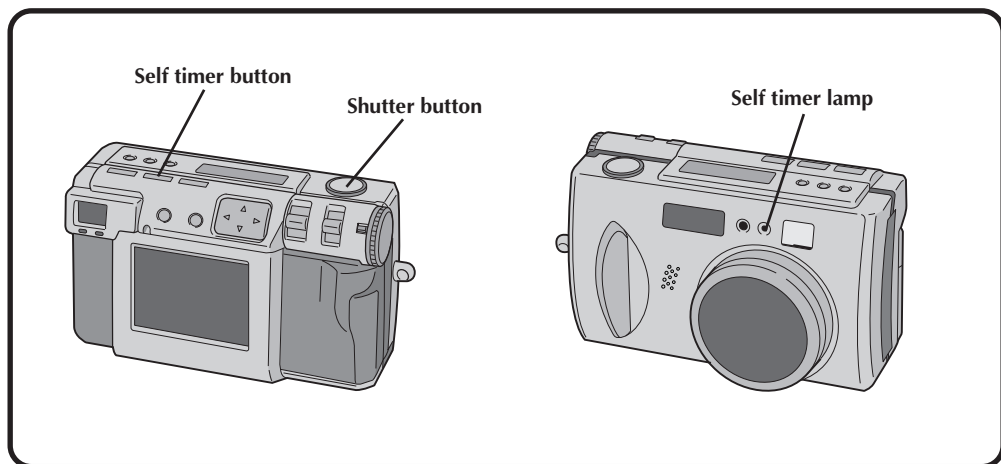
- When no images are recorded on a Memory Card the LCD screen displays "No Valid Image".
- To change the display mode during playback, press the **DISPLAY** button. Press the **DISPLAY** button repeatedly to cycle through the following modes:
 - Full size screen (with on-screen display)
 - Full size screen (without on-screen display)
 - 6 indexed picture screen
- Playback is not possible if the picture has been processed by a personal computer, other models of camera, etc. or the picture size is other than 2032 x 1536, 1024 x 768 or 640 x 480.
- It takes a little while to display the photographed image on the LCD screen if a lot of images are recorded on the Memory card.

Auto Playback

- 1** Turn the Power dial to "Still".
 - Hold the Lock button down while turning the Power dial.
- 2** Select "STILL PB" with the MODE switch.
 - "STILL PB" appears on the LCD panel.
- 3** Press the DISPLAY button to select the display mode.
- 4** Press and hold the <|> button for more than 2 seconds.
 - ">": Displays pictures in order.
 - "<": Displays pictures in reverse order.
- 5** Press the <|> button again to stop Auto Playback.

Self Timer

The self timer clicks the shutter automatically after either 1 second or 8 seconds after the timer has been set. Use the self timer to take your own picture, or if you are worried that you will shake the camera too much when you press the Shutter button. Turn the Power dial to “**A**”, “**M**” or “**V**” when using the Self timer.



1 Press the Self timer button and set the time.

- Press the Self timer button repeatedly to cycle through the following settings:
Off → 8 seconds → 1 second → Off
- The “**8**” (8 seconds) or “**1**” (1 second) mark appears on the LCD panel.

2 Point the lens at the subject, position yourself, and half-press the Shutter button.

- The camera will continue to focus on the subject while the button is half-pressed. The shoot standby lamp (green) flashes.
- To display the image on the LCD screen while shooting, press the DISPLAY button.

3 Press the Shutter button all the way to take the picture.

- The self timer lamp and the “**8**” on the LCD panel will begin to flash.
The shutter will click after either 1 second or 8 seconds.

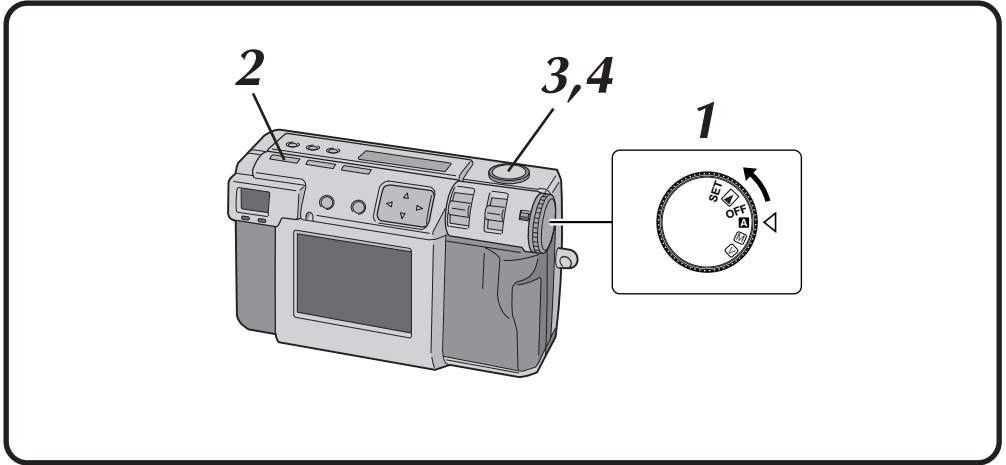
NOTES:

- When there is less than three seconds remaining until the shutter clicks for 8 seconds self timer, the self timer lamp will begin to flash rapidly.
- To cancel the self timer before it runs out, press the Self timer button again.
- Focusing occurs when the Shutter button is half-pressed.

Flash Shooting

There are four flash modes:

- Auto** : This setting automatically flashes when shooting under dark conditions.
- Forced on** : Select this setting to force the flash.
- Red-eye prevention** : Select this setting to minimize the “red-eye” effect that occurs when using the flash. The flash is forced to light.
- Off** : Select this setting to disable the flash even when shooting under dark conditions. Note that in order to prevent blurry photos a tripod should be used with this setting, since the shutter speed is slower.



- 1** Turn the Power dial to “A” or “M”.
- Hold the Lock button down while turning the Power dial.

- 2** Press the Flash button and select the flash mode.
- The “AT” indicator appears on the LCD panel.
 - Press the Flash button repeatedly to cycle through the following modes: “Off” → “AT (auto)” → “ (forced on)” → “ (red-eye prevention)” → “Off”
 - If the mode is set to any mode other than “Off”, charging starts and the flash standby lamp (red) flashes. When the flash standby lamp remains lit steadily, charging is complete.

- 3** Point the lens at the subject, position yourself, and half-press the Shutter button.

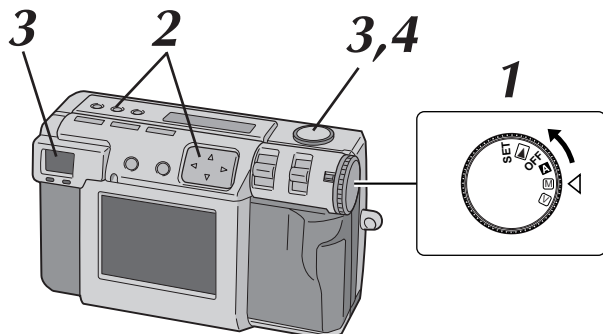
- 4** Press the Shutter button all the way to take the picture.
- The flash lights and the flash standby lamp (red) begins flashing.
 - In red-eye prevention mode, the flash lights twice. The first flash is designed to reduce the red-eye effect. The second flash is when the picture is actually taken.

NOTES:

- Though the image on the LCD screen may appear dark, there is no problem with the recorded image.
- When the flash is turned on, the iris value is set to F2.8/3.8 automatically.
- When shooting with the flash, it is not possible to set the iris and exposure manually.
- Do not press the Shutter button while the flash is being charged.

Manual Focus

You can focus to the subject manually.



1 Turn the Power dial to "M".

- Hold the Lock button down while turning the Power dial.

2 Press the FOCUS button, and then press the \square button within 3 seconds.

- Press the \square button repeatedly to cycle through the following modes:

AF-S (Auto Focus-Single):

When the Shutter button is half-pressed, focus is automatically set once.

MF (Manual Focus):

You can focus to the subject manually.

Press the \triangle ∇ button to focus.

Press the \triangle button to lengthen the focal distance.

Press the ∇ button to reduce the focal distance.

2.4m/8ft:

Sets the focus to this distance.

∞ :

Sets the focus to infinity.

AF-C (Auto Focus-Continuous):

While the Shutter button is half-pressed, the camera will continue to focus on the subject automatically.

3 Point the lens at the subject, position yourself, and half-press the Shutter button.

- To display the image on the LCD screen while shooting, press the DISPLAY button.

4 Press the Shutter button all the way to take the picture.

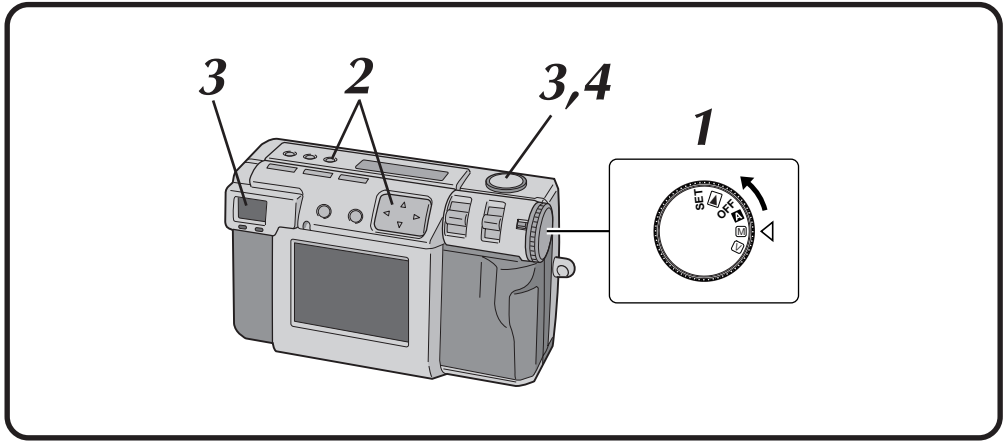
NOTES:

Focus manually in the following circumstances:

- When shooting a low-contrast subject, such as a flat wall or a blue sky.
- When there is an obstacle such as a wire fence between a subject and the camera.
- When shooting a subject that has a very fine pattern, or a perfectly regular pattern.
- When shooting a subject under flickering illumination, including fluorescent light, or when dark.

Iris Setting

You can adjust the depth of field and the shutter speed by setting the F value manually.



1 Turn the Power dial to "M".

- Hold the Lock button down while turning the Power dial.

2 Press the IRIS button, and then press the <> button within 3 seconds.

- Press the <> button repeatedly to cycle through the following modes:
PROGRAM → F2.8/3.8 → F5.6 → F8 → F11 → PROGRAM
- The F value is the iris value, which controls the amount of light that reaches the camera's image sensor.
- Smaller the F value is, faster the shutter speed becomes. Larger the F value is, slower the shutter speed becomes.
- Larger the F value is, deeper the depth of field becomes.
- In PROGRAM mode, the iris value and the shutter speed are calculated and set automatically by the camera.

3 Point the lens at the subject, position yourself, and half-press the Shutter button.

- The camera will continue to focus on the subject while the button is half-pressed. The shoot standby lamp (green) flashes.
- To display the image on the LCD screen while shooting, press the DISPLAY button.

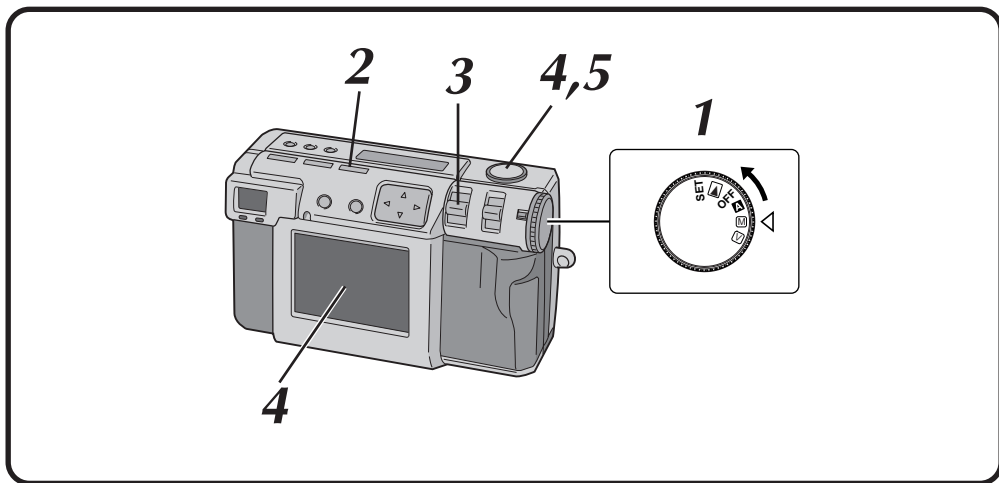
4 Press the Shutter button all the way to take the picture.

NOTE:

- When shooting a night scene, select "★" for "W. BALANCE". (☞ pg. 38)

Macro Shooting


Use Macro mode to shoot a subject at a distance of 2 to 50 cm. This mode is appropriate for a close-up shot of insects and plants outdoor.



1 Turn the Power dial to “A”, “M” or “V”.

- Hold the Lock button down while turning the Power dial.

2 Press the Macro button.

- “” is displayed on the LCD panel.
- The zooming is set to the widest angle automatically.
- The subject is displayed on the LCD screen.
- To turn off the Macro mode, press the Macro button again.

3 Use the ZOOM lever to adjust the size of the subject.

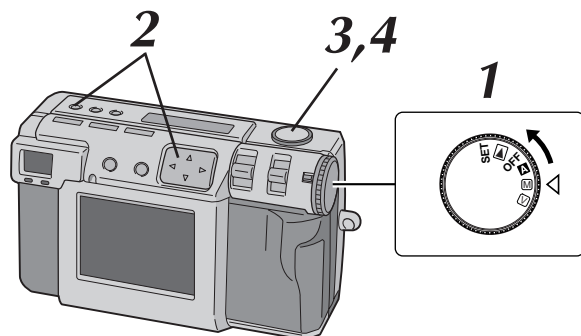
4 Point the lens at the subject, position yourself, and half-press the Shutter button.

- The camera will continue to focus on the subject while the button is half-pressed. The shoot standby lamp (green) flashes.

5 Press the Shutter button all the way to take the picture.

Exposure Control

If the subject is predominantly white, black, red, etc., the resulting picture may be underexposed (too dark). In such a case, it is necessary to use the exposure control to restore the picture to a more realistic image. With this camera, you can make this adjustment by up to ± 2 iris steps in units of 0.5EV (exposure value).



(-2EV)



(+2EV)

1 Turn the Power dial to "M" or "V".

- Hold the Lock button down while turning the Power dial.

2 Press the Exposure control button (+/-), and then press the \triangleleft button within 3 seconds.

- Press the \triangleright button to cycle through the following modes:
 $-2 \rightarrow -1.5 \rightarrow -1.0 \rightarrow -0.5 \rightarrow 0 \rightarrow +0.5 \rightarrow +1.0 \rightarrow +1.5 \rightarrow +2.0$
 (Darker to brighter)
- Press the \triangleleft button to cycle through the modes in the opposite direction.

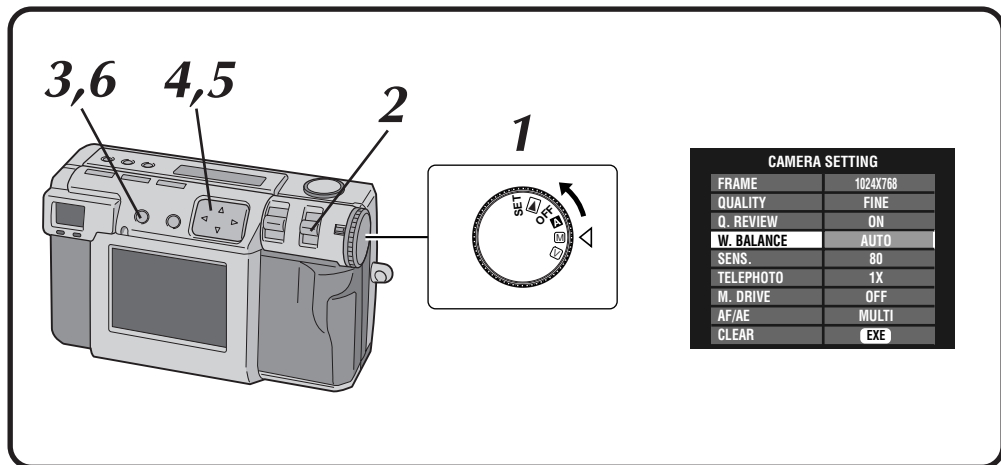
3 Point the lens at the subject, position yourself, and half-press the Shutter button.

- The camera will continue to focus on the subject while the button is half-pressed. The shoot standby lamp (green) flashes.
- To display the image on the LCD screen while shooting, press the DISPLAY button.

4 Press the Shutter button all the way to take the picture.

White Balance Adjustment

The white balance adjustment needs to be made when a picture is greenish, or when there is blue or red ghosting around an image. If there are no problems with the colors in a picture, select "AUTO".



1 Turn the Power dial to "M".

- Hold the Lock button down while turning the Power dial.

2 Select "MANUAL" with the MODE switch.

- "MANUAL" appears on the LCD panel.

3 Press the DISPLAY button until the CAMERA SETTING screen appears.

4 Press the Δ▽ button to select "W. BALANCE".

5 Press the <Δ> button to select from among "AUTO", "☀", "☁", "💡", "MWB" or "🌙".

- Select the preset that produces the best color for the subject that you wish to photograph.

AUTO: Adjusts the white balance automatically.

☀: Select this option when shooting outside on a sunny day.

☁: Select this option when shooting outside on a cloudy day.

💡: Select this option when shooting with video lights, etc.

MWB: Select this option to photograph a subject with a white balance that was preset for that subject. (☞ pg. 39)

🌙: Select this option when shooting a night scene. The shutter speed is automatically set to 1/750 seconds to 2 seconds.

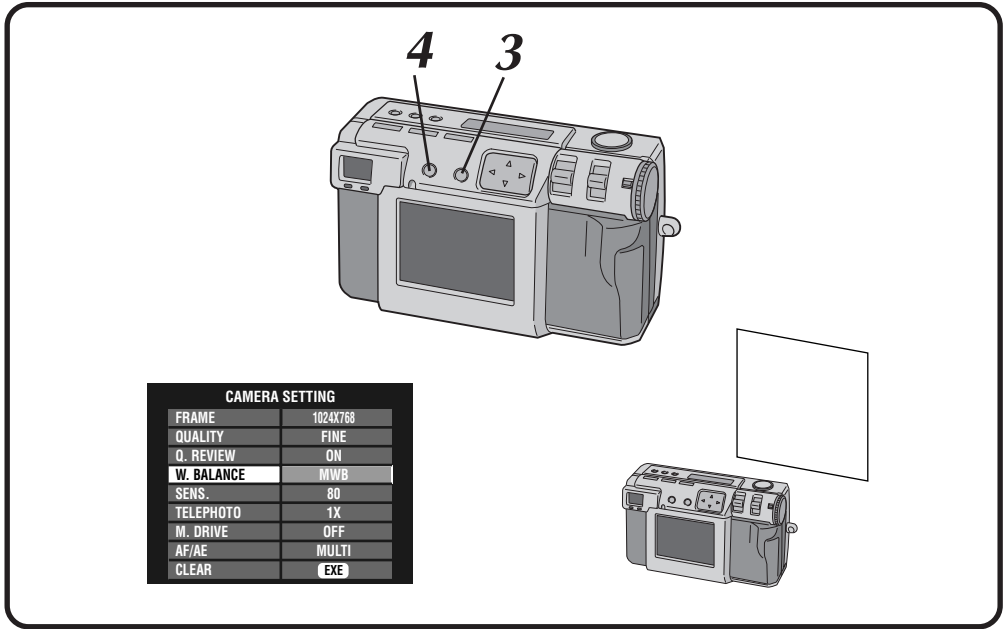
6 Press the DISPLAY button to turn off the menu screen.

NOTES:

- When shooting a night scene with "🌙" mode, focus to the subject manually. It may not be able to attain focus in the auto focus mode.
- If the shooting location is changed, for example from indoors to outdoors, it may take a little while for the white balance adjustment.

Manual White Balance Adjustment

If you cannot achieve natural looking colors even after selecting the preset options (“☀️”, “🌙”, “🌸”, “🍁”) or “AUTO” for the white balance adjustment, follow the procedure described below to adjust the white balance manually.



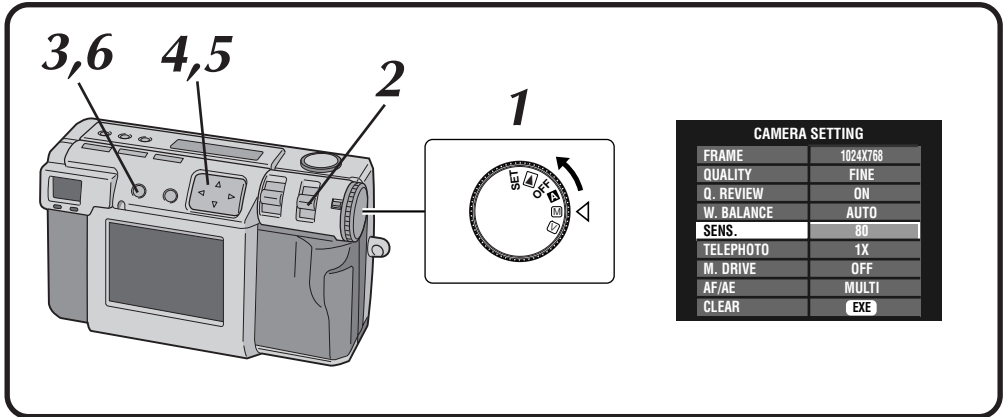
- 1** Select “MWB” in step 5 on page 38.
- 2** Place a white sheet of paper about 30cm in front of the lens.
 - The white paper should fill the screen.
- 3** Hold down the EXE button until the shoot standby lamp (green) starts flashing.
 - The setting is completed when the shoot standby lamp (green) has stopped flashing.
 - Release the EXE button to return to the menu screen.
 - To redo the setting, simply hold down the EXE button again.
- 4** Press the DISPLAY button to turn off the menu screen.

NOTE:

- The color balance that you set is retained in memory until you set a different white balance under the “MWB” setting.

Sensitivity Setting

You can change the camera's sensitivity setting when shooting at dark place or where you can not use the flash.



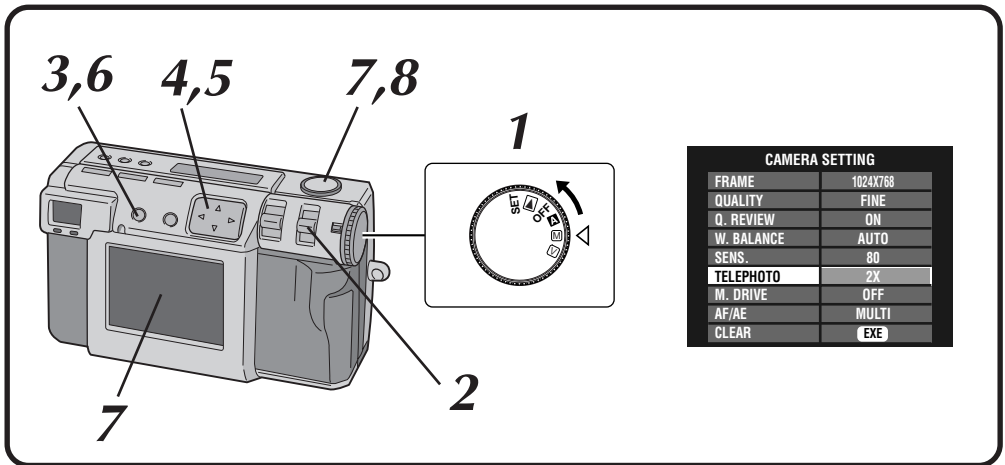
- 1** Turn the Power dial to "M".
 - Hold the Lock button down while turning the Power dial.
- 2** Select "MANUAL" with the MODE switch.
 - "MANUAL" appears on the LCD panel.
- 3** Press the DISPLAY button until the CAMERA SETTING screen appears.
- 4** Press the $\Delta \nabla$ button to select "SENS.".
- 5** Press the $\triangleleft \triangleright$ button to select "80", "160" or "320".
- 6** Press the DISPLAY button to turn off the menu screen.

NOTES:

- The sensitivity settings are ISO compliant.
- The noise may appear and increase on the screen at the shooting if the value of the sensitivity setting is higher.

Changing the Zoom Power While Shooting

Depending on the image size, it is possible to enlarge a subject without sacrificing the current image quality. Because the zoom power cannot be changed in some instances if the image is large, reduce the image size (☞ pg. 28) before changing the zoom power.

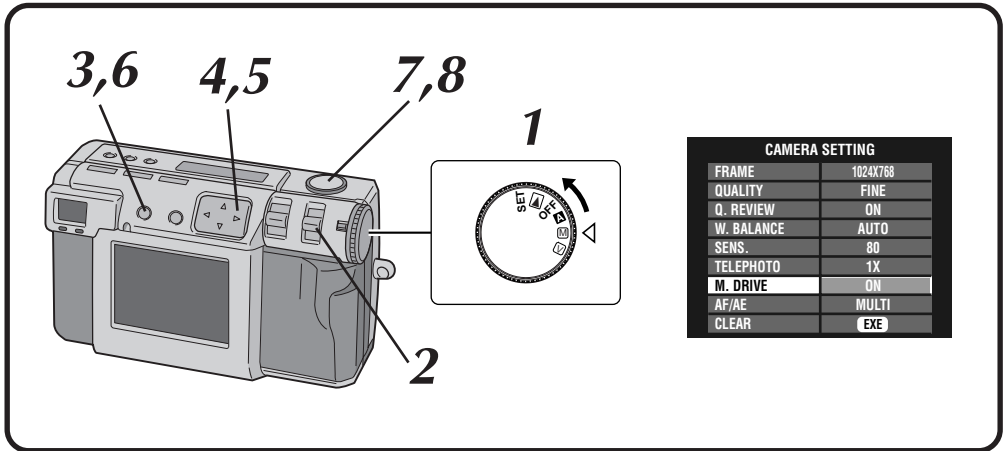


- 1** Turn the Power dial to "M".
 - Hold the Lock button down while turning the Power dial.
- 2** Select "MANUAL" with the MODE switch.
 - "MANUAL" appears on the LCD panel.
- 3** Press the DISPLAY button until the CAMERA SETTING screen appears.
- 4** Press the Δ / ∇ button to select "TELEPHOTO".
- 5** Press the \triangleleft / \triangleright button to select "2X" or "3.2X".
 - It is not possible to turn off the LCD screen.
 - The zoom powers that can be selected depend on the image size.
 - When frame size is set to 2032 x 1536 only 1X telephoto is available.

1024 x 768: 1X/2X
640 x 480: 1X/2X/3.2X
- 6** Press the DISPLAY button to turn off the menu screen.
- 7** Point the lens at the subject, position yourself, and half-press the Shutter button.
 - The camera will continue to focus on the subject while the button is half-pressed. The shoot standby lamp (green) flashes.
- 8** Press the Shutter button all the way to take the picture.

Shooting Continuous Photos (GC-QX5HD only)

With this mode you can shoot 3 continuous photos.



- 1** Turn the Power dial to "M".
 - Hold the Lock button down while turning the Power dial.
- 2** Select "MANUAL" with the MODE switch.
 - "MANUAL" appears on the LCD panel.
- 3** Press the DISPLAY button until the CAMERA SETTING screen appears.
- 4** Press the $\Delta \nabla$ button to select "M. DRIVE".
- 5** Press the $\triangleleft \triangleright$ button to select "ON".
- 6** Press the DISPLAY button to turn off the menu screen.

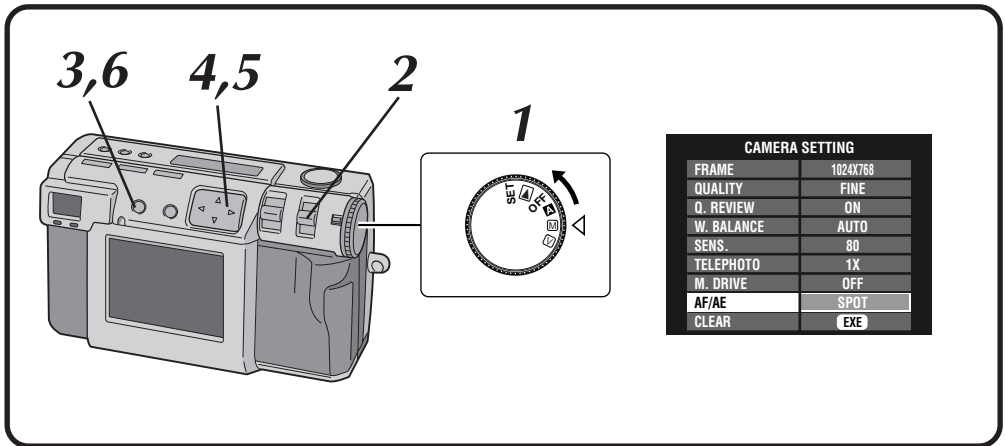
- 7** Point the lens at the subject, position yourself, and half-press the Shutter button.
 - The camera will continue to focus on the subject while the button is half-pressed. The shoot standby lamp (green) flashes.
 - To display the image on the LCD screen while shooting, press the DISPLAY button.
- 8** Press the Shutter button all the way for over 1 second to take the picture.
 - If the flash is set, it will only flash for the first photo.

NOTES:

- It is not possible to shoot continuous photos if the uncompressed picture quality is selected.
- The picture appears dark when shooting at dark location inside a room, etc.

Changing the AF/AE Area

Normally, in this camera this setting is "MULTI" in order to prevent the subject from being out of focus while the background is in focus. If the camera does not focus on the point that you want it to, change this setting to "SPOT".



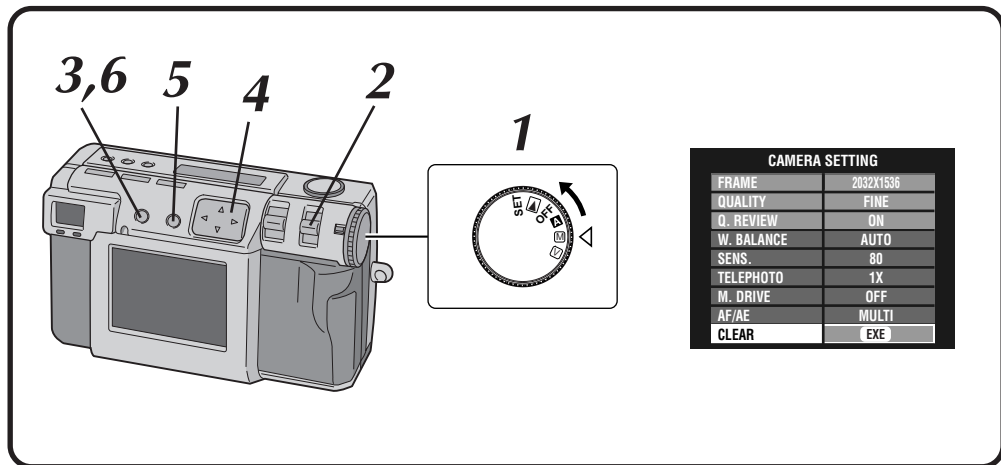
- 1** Turn the Power dial to "M".
 - Hold the Lock button down while turning the Power dial.
- 2** Select "MANUAL" with the MODE switch.
 - "MANUAL" appears on the LCD panel.
- 3** Press the DISPLAY button until the CAMERA SETTING screen appears.
- 4** Press the $\Delta \nabla$ button to select "AF/AE".
- 5** Press the $\triangleleft \triangleright$ button to select "SPOT".
- 6** Press the DISPLAY button to turn off the menu screen.

NOTE:

- MULTI:** A precise exposure setting is made by dividing the scene into several sections and then measuring the light in each section.
- SPOT:** The exposure is set by measuring the light in a small spot in the center of the scene. Use this mode when you want to shoot a subject with a large difference between dark and bright area, such as someone on a skihill, or someone standing in a spotlight in a darkened theater.
- If "SPOT" is selected for shooting, press the DISPLAY button until "☑" appears on the LCD screen.

Restoring the Default Settings

Perform the procedures described below to return the camera settings to the default settings. The settings on the SET UP screen does not return to the default settings.



- 1** Turn the Power dial to "M".
- Hold the Lock button down while turning the Power dial.

- 2** Select "MANUAL" with the MODE switch.
- "MANUAL" appears on the LCD panel.

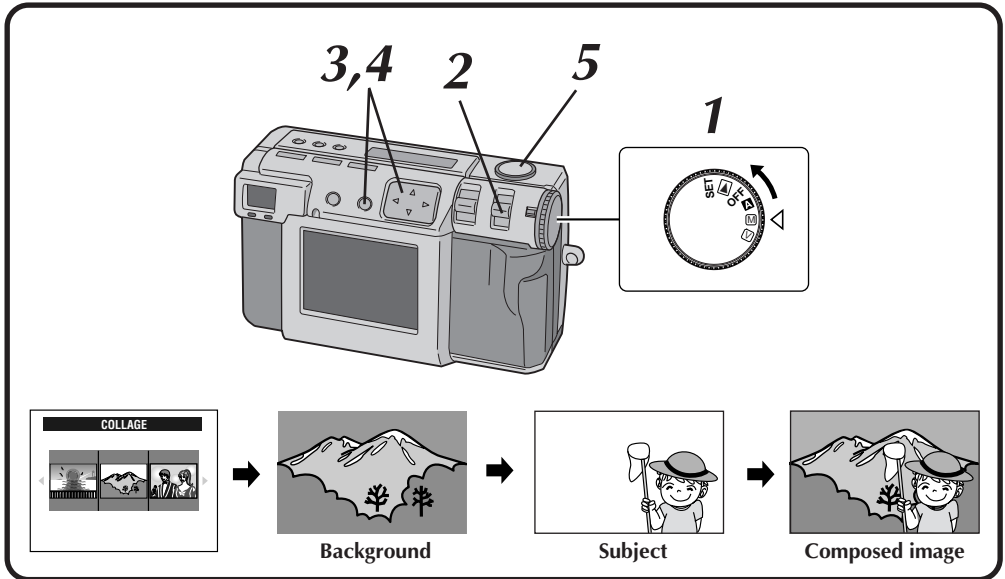
- 3** Press the DISPLAY button until the CAMERA SETTING screen appears.

- 4** Press the Δ / ∇ button to select "CLEAR".

- 5** Press the EXE button.
- The camera settings return to the default settings.
 - The settings for "FRAME", "QUALITY" and "Q. REVIEW" do not return to the default settings.
- 6** Press the DISPLAY button to turn off the menu screen.

Collage Mode (GC-QX5HD only)

This camera is able to combine images. For example, you can combine an existing picture (as background) with a picture of a person standing in front of a white wall, etc.



- 1** Turn the Power dial to "M".
 - Hold the Lock button down while turning the Power dial.
- 2** Select "COLLAGE" with the MODE switch.
 - "COLLAGE" appears on the LCD panel.
 - The 3 indexed photos that have been taken previously are displayed on the LCD screen.
- 3** Press the $\triangleleft \triangleright$ button to select a background, and then press the EXE button.
 - The frame size is automatically selected for the background.
 - You can select the frame size (2032 x 1536, 1024 x 768 or 640 x 480) for a background.
 - To change the backgrounds, press the EXE button again.
 - It is not possible to use the collage function with pictures photographed by other models of camera.

- 4** Point the lens at the subject, and then press the $\triangleleft \triangleright$ button to adjust the level of composition .
 - The subject should be located in front of a white background such as a white wall.
 - You can also use the zoom function.
- 5** Press the Shutter button all the way to take the picture.
 - The composed image is stored in the Memory card.

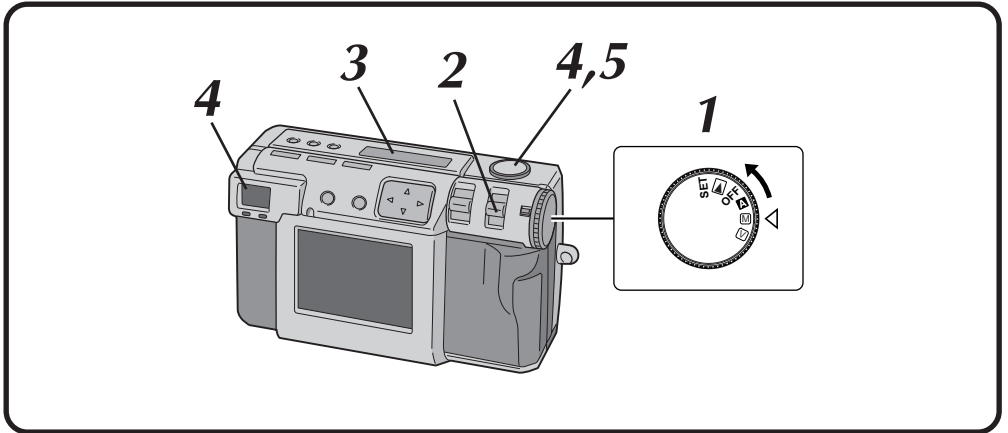
NOTES:

- Due to large memory files created when shooting a picture of uncompressed quality in this mode, it is recommended that a Memory Card greater than 16MB be used.
- If any portion of the subject is white (clothing, for example), that portion of the subject will also be replaced with the background picture.
- If the subject is dark, the region that is combined with the background may appear to change when the Shutter button is pressed. However, the actual image that is recorded conforms with the composition settings that were in effect before the Shutter button was pressed.
- It is not possible to use the flash.

6M Pro-Still (Pixel Shift Mode) (GC-QX5HD only)

The camera can achieve double its normal resolution by taking two pictures consecutively, shifting the CCD pixels one pixel row in the vertical direction between the two shots.

This mode uses the self timer to shoot a still picture. Use a tripod to prevent problems caused by shaky hands.



- 1** Turn the Power dial to "M".
 - Hold the Lock button down while turning the Power dial.
- 2** Select "6M PRO S" with the MODE switch.
 - "6M PRO S" appears on the LCD panel.
- 3** Confirm that the self timer is set to "1 second".

- 4** Point the lens at the subject, position yourself, and half-press the Shutter button.
 - To display the image on the LCD screen while shooting, press the DISPLAY button.
- 5** Press the Shutter button all the way to take the picture.
 - The shoot standby lamp (green) goes off when the shooting has finished.

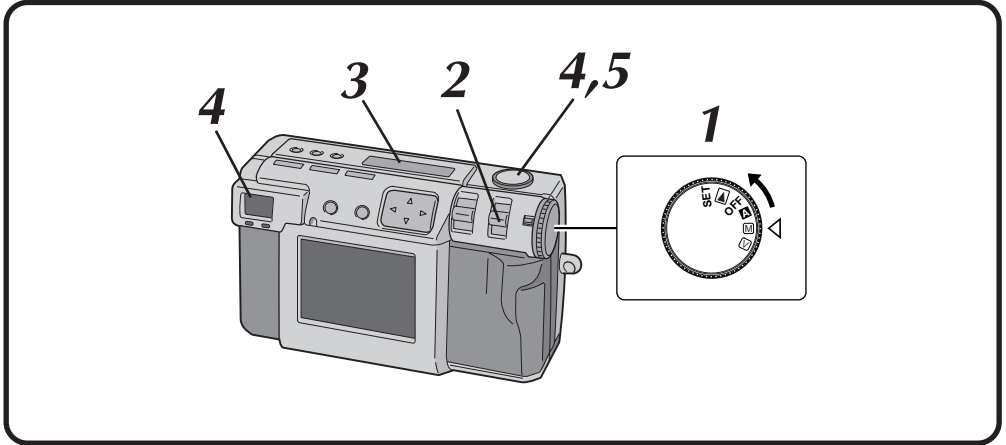
NOTES:

- The picture size is automatically set to 2032 x 1536 with this mode.
- Due to large memory files created when shooting a picture of uncompressed quality in this mode, it is recommended that a Memory Card greater than 16MB be used.
- It takes a few seconds until the shooting finishes because this mode uses the exposure twice. Do not move the object and the camera until the shooting finishes completely.
- It is not possible to use the flash.

DR Pro-Still (Wide Range Mode) (GC-QX5HD only)

The camera can expand its apparent dynamic range by combining different exposures of an extremely high contrast subject.

This mode uses the self timer to shoot a still picture. Use a tripod to prevent problems caused by shaky hands.



- 1** Turn the Power dial to "M".
 - Hold the Lock button down while turning the Power dial.
- 2** Select "DR PRO S" with the MODE switch.
 - "DR PRO S" appears on the LCD panel.
- 3** Confirm that the self timer is set to "1 second".

- 4** Point the lens at the subject, position yourself, and half-press the Shutter button.
 - To display the image on the LCD screen while shooting, press the DISPLAY button.
- 5** Press the Shutter button all the way to take the picture.
 - The shoot standby lamp (green) goes off when the shooting has finished.

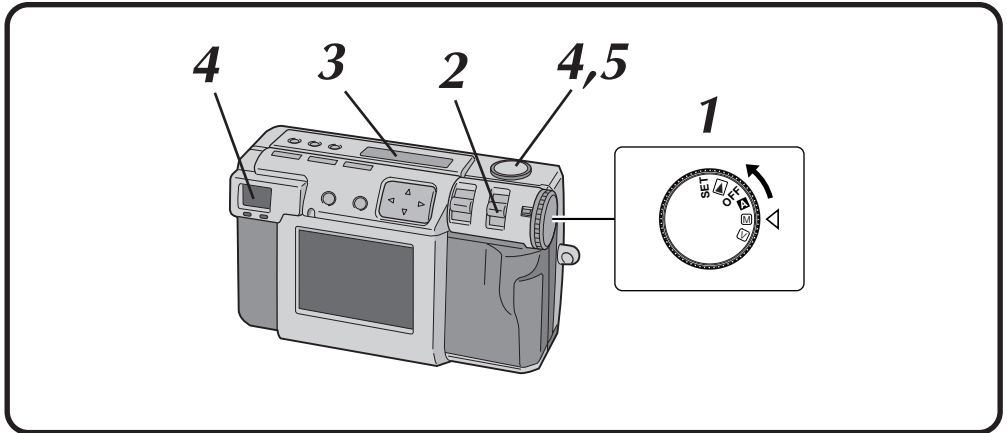
NOTES:

- Due to large memory files created when shooting a picture of uncompressed quality in this mode, it is recommended that a Memory Card greater than 16MB be used.
- It takes a few seconds until the shooting finishes because this mode uses the exposure twice. Do not move the object and the camera until the shooting finishes completely.
- It is not possible to use the flash.

NR Pro-Still (Noise Reduction Mode)

This mode reduces electronic noise in a photograph by layering several copies of the same image. This mode is ideal for shooting works of art in dark surroundings.

This mode uses the self timer to shoot a still picture. Use a tripod to prevent problems caused by shaky hands.



- 1** Turn the Power dial to "M".
 - Hold the Lock button down while turning the Power dial.
- 2** Select "NR PRO S" with the MODE switch.
 - "NR PRO S" appears on the LCD panel.
- 3** Confirm that the self timer is set to "1 second".

- 4** Point the lens at the subject, position yourself, and half-press the Shutter button.
 - To display the image on the LCD screen while shooting, press the DISPLAY button.
- 5** Press the Shutter button all the way to take the picture.
 - The shoot standby lamp (green) goes off when the shooting has finished.

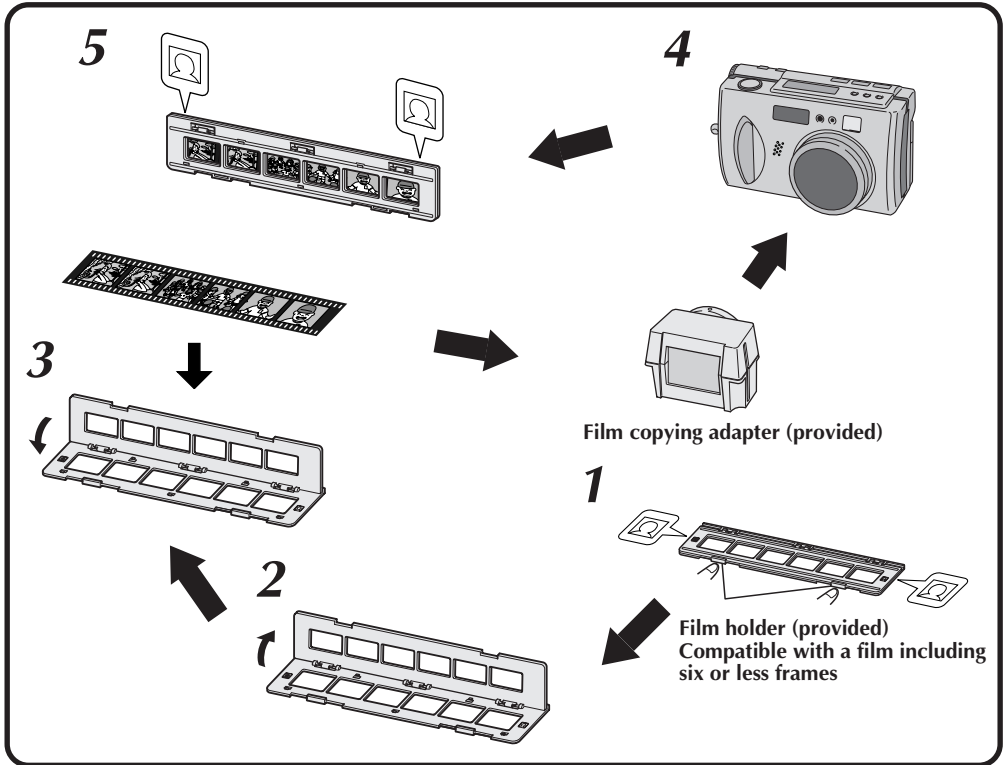
NOTES:

- Due to large memory files created when shooting a picture of uncompressed quality in this mode, it is recommended that a Memory Card greater than 16MB be used.
- It takes a few seconds until the shooting finishes because this mode uses the exposure 8 times. Do not move the object and the camera until the shooting finishes completely.
- It is not possible to use the flash.


Installing the Film Copying Adapter (GC-QX5HD only)

By installing the provided film copying adapter, you can take photos of images from developed 35mm film (negatives or positives; only those with sleeves).

Turn off the camera before installing the film copying adapter. For details on shooting film, refer to page 50.



- 1** Grasp knobs and open.
- 2** Open the film holder.
- 3** Insert the film and then close the film holder.
- 4** Insert the film holder into the slit in the film copying adapter with the picture side facing the lens side of the camera.
- 5** Insert the film copying adapter into the camera.

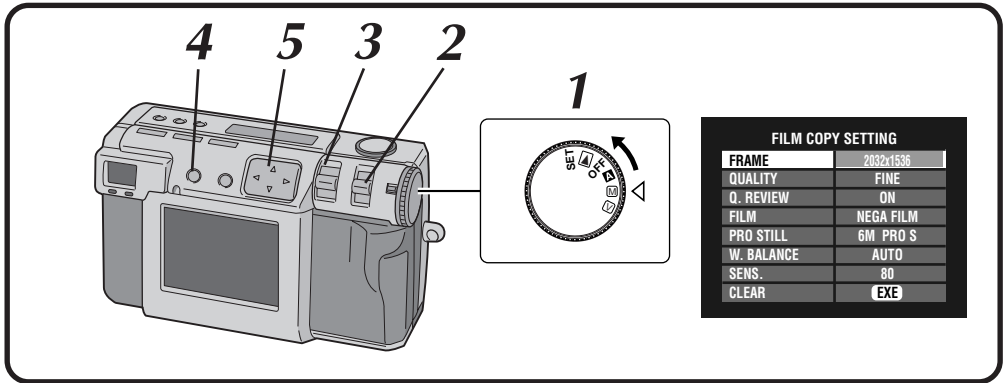
- Align  on the both sides of the frame with the self timer lamp, and then push the unit all of the way to the back of the lens section.

NOTES:

- The film copying adapter is not compatible with APS film and strips of film that include seven or more frames.
- Check the orientation of the film.
- Be careful not to scratch the surface of the film.
- When shooting, secure the camera on a stable surface (such as a desk).
- We recommend using video lights, etc., behind the film copying adapter.
- Remove and set slide mount items one at a time.
- Refer to the step 7 on page 50 for the blue film provided with the film holder.

Shooting Film (Film Copy Mode) (GC-QX5HD only)

You can use the film copying adapter (provided; see page 49) to take photos of images already on film.



1 Turn the Power dial to "M".

- Hold the Lock button down while turning the Power dial.

2 Select "FILM" with the MODE switch.

- "FILM" appears on the LCD panel.

3 Use the ZOOM lever to adjust the size of the subject.

- The camera automatically enters macro mode and the zoom range is restricted.
- Move the film holder left or right as needed to adjust the image.

4 Press the DISPLAY button until the FILM COPY SETTING screen appears.

5 Press the $\Delta \nabla \triangleleft \triangleright$ button to select the film copy setting.

- Press the $\Delta \nabla \triangleleft \triangleright$ button repeatedly to cycle through the following modes:

FRAME:

Selects the size of the picture.

QUALITY:

Selects the picture quality.

Q. REVIEW:

Selects whether to display the photographed picture on the LCD.

FILM:

Selects either negative or positive.

PRO STILL:

Selects the photography mode.

W. BALANCE:

Sets the white balance in accordance with the film.

SENS.:

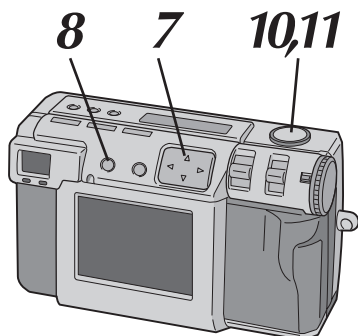
Selects the film sensitivity.

CLEAR:

Returns to the default settings.

6 Set the light source behind the film copying adapter.

- If using a fluorescent light (20 – 40 W) as backlighting, set it about 10 – 20 cm (4" – 8") behind the film.
- If using natural light (40 – 100 W) as backlighting, set it about 20 – 30 cm (8" – 12") behind the film.
- Be careful when using hot light sources for long periods of time. Heat can easily damage film and picture quality.



FILM COPY SETTING	
FRAME	2832x1536
QUALITY	FINE
Q. REVIEW	ON
FILM	NEGA FILM
PRO STILL	6M PRO S
W. BALANCE	AUTO
SENS.	80
CLEAR	EXE

- 7** Press the $\triangle \nabla$ button to select “W. BALANCE” and press the $\triangleleft \triangleright$ button to select either “AUTO” or “MWB”.

Making calibration settings

- For negative film

Set the provided blue film on top of an unexposed (all brown) part of the negative and load into the film holder. Press the $\triangle \nabla$ button to select “W. BALANCE” and then hold down the EXE button until the shoot standby lamp (green) stops flashing and goes out.

- For positive film

Remove the provided blue film and attach the film copying adapter to the camera. Select “AUTO” for “W. BALANCE”.

- 8** Press the DISPLAY button to turn off the menu screen.

- 9** Make a film setting.

- 10** Point the lens at the subject, position yourself, and half-press the Shutter button.

- The shoot standby lamp (green) flashes. Once focus is attained, the lamp changes from flashing to on.

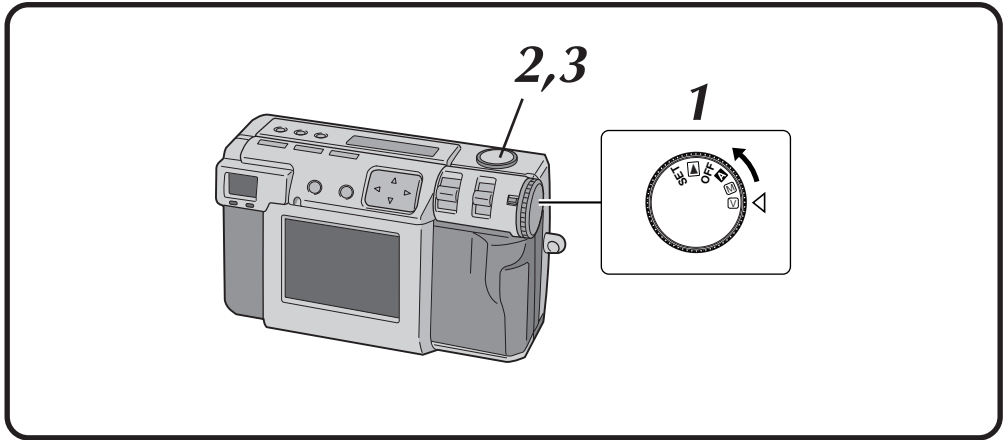
- 11** Press the Shutter button all the way to take the picture.

NOTES:

- When shooting, the aperture priority AE becomes 5.6.
- Always make white balance adjustment when attaching a light source to the camera during shooting.
- This mode uses the camera’s macro feature, so picture quality will differ from that of scanned images, etc.
- Because of lens characteristics, picture quality at the center of the picture will differ from that around the edges.
- The film holder’s frame may appear in photographs.
- Underexposure can throw off white balance.
- If the distance to the light source is changed while the shutter button is pressed halfway down, the brightness of the image will change, therefore do not move the camera or light source once set in position and ready to shoot.
- Brightness will vary according to film, therefore set exposure to the film before use. (☞ pg. 37)
- It takes 20 seconds for the brightness of the shooting picture to be stable and afterwards half-press the Shutter button.
- Depending upon the brand of the film or the light source, the desired white balance is not obtained. In this case, perform the following procedure.
 - Adjust white balance with the picture which you want to scan, by select “MWB” from “W. BALANCE” setting, and the picture may be more natural.

Video Shooting

The camera can record a maximum of 20 seconds of video. The size of the recorded video file is approximately 200 KB. This feature is useful if you want to send a short video by e-mail.



1 Turn the Power dial to "V".

- Hold the Lock button down while turning the Power dial.
- "VIDEO" appears on the LCD panel.
- To display the image on the LCD screen while shooting, press the DISPLAY button.

2 Press the Shutter button all the way to shoot the video.

- The flash standby lamp (red) lights during the video shooting.
- Video shooting will stop automatically after about 20 seconds.
- "NOW RECORDING" appears on the LCD screen. This may take several minutes.

3 Press the Shutter button again to stop the video shooting before 20 seconds are up.

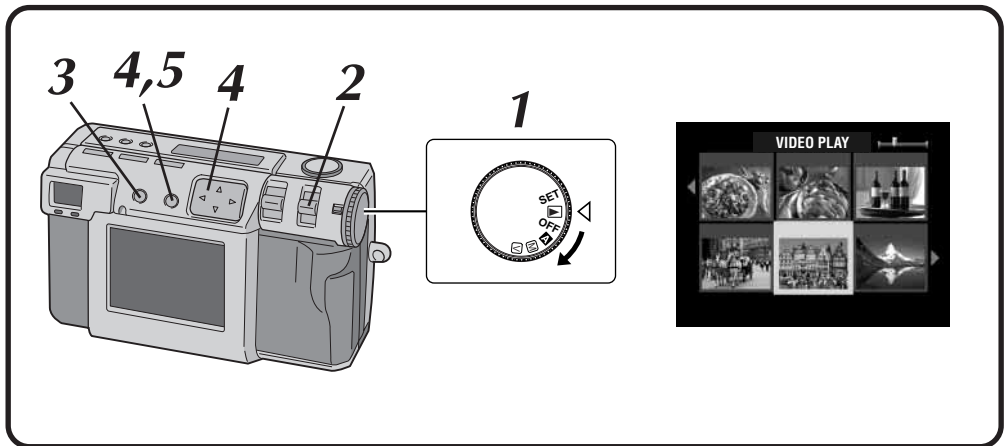
- While the video file is stored in the Memory card, the flash standby lamp (red) flashes, and then goes off when the recording has finished. **Do not operate the camera while the light flashes.**

NOTES:

- Sound is also recorded.
- It is not possible to use the flash for video shooting.
- It will take awhile to store a video file on a Memory card.
- You can change the settings of "Manual Focus" (☞ pg. 34), "Iris Setting" (☞ pg. 35), "Exposure Control" (☞ pg. 37), "Macro Shooting" (☞ pg. 36) and "Self Timer" (☞ pg. 32).
- You can change the settings of "White Balance Adjustment" (☞ pg. 38), "Sensitivity Setting" (☞ pg. 40), "Changing the AF/AE Area" (☞ pg. 43) and "Restoring the Default Settings" (☞ pg. 44).
- ZOOM lever is not operational in Video Mode while shooting.
- It may not be possible to record properly when the battery is little left.

Video Playback

You can watch the recorded video on the camera's LCD screen.



- 1** Turn the Power dial to “”.
- Hold the Lock button down while turning the Power dial.

- 2** Select “VIDEO PB” with the MODE switch.
- “VIDEO PB” appears on the LCD panel.
 - The first frame of the video (which has been most recently recorded) appears on the LCD screen.

- 3** Press the DISPLAY button to switch to an indexed display.

- 4** Press the button to select the video, and then press the EXE button.
- The still image of the selected video appears.

- 5** Press the EXE button to start playback.
- Playback of the video starts.
 - To stop playback, press the EXE button again.
 - To select and play back another video, press the DISPLAY button while playback is in stop mode. The indexed display will appear.

NOTES:

- The camera may not be able to play back a video recorded by other models of camera.
- The camera expands and plays back data that was compressed and stored in a memory card. The data format is our own proprietary format.
- The image may have a mosaic appearance.
- When playing back a video that is shorter than 2 seconds, the video is displayed as a still image. This not a malfunction.
- To hear the sound, use the Video Player or JVC Video Decoder. (→ pg. 75, 82) Sound will not be reproduced on the camera itself.

Display Mode during Playback

To change the display mode during playback, press the **DISPLAY** button.

Press the **DISPLAY** button repeatedly to cycle through the following modes:

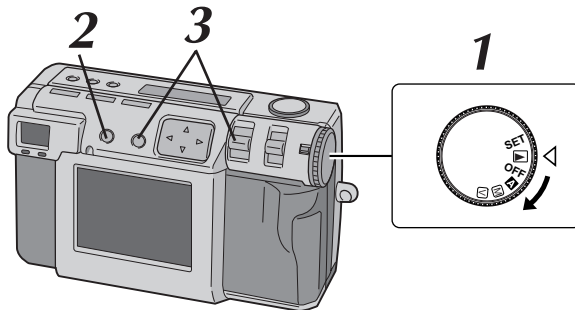
- Full size screen (with on-screen display)
- Full size screen (without on-screen display)
- 6 indexed picture screen
- This feature is not available during Video Playback.

Image number



STILL PLAYBACK screen

Brightness Adjustment of LCD Screen



- 1 Turn the Power dial to "A", "M", "V" or "☐".
 - Hold the Lock button down while turning the Power dial.

- 2 Press the **DISPLAY** button.

- 3 Hold down the **EXE** button and push up or down the **ZOOM** lever.
 - To make the LCD screen brighter, push the **ZOOM** lever up.
 - To make the LCD screen darker, push the **ZOOM** lever down.

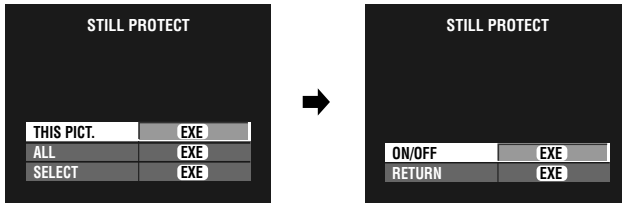
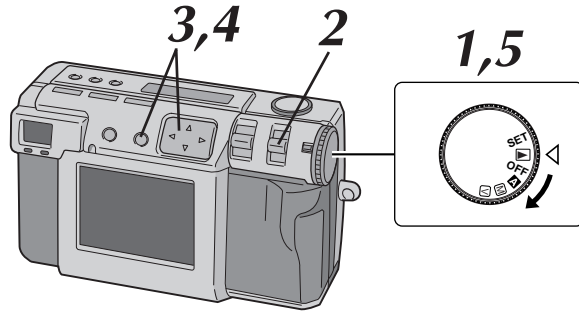
NOTE:




- The brightness setting does not influence the image files which is to be recorded on the Memory card.

Protecting Pictures


You can set protection for important pictures and video files.

This feature prevents you from accidentally deleting these important pictures and video files.



- 1** Turn the Power dial to "ON/OFF".
 - Hold down the Lock button while turning the Power dial.
 - The playback picture appears on the LCD screen.
- 2** Select "STILL  with the MODE switch.
 - The STILL PROTECT screen appears.
 - To protect a video file, select "VIDEO ". The VIDEO PROTECT screen will appear.
- 3** To protect the picture that is currently displayed, press the $\Delta \nabla$ button to select "THIS PICT.", and then press the EXE button.
 - To protect all pictures, select "ALL", and then press the EXE button.
- 4** Press the $\Delta \nabla$ button to select "ON/OFF", and then press the EXE button.
 - " (protection indicator) appears.
 - To unlock the protection, press the EXE button again.
- 5** Turn the Power dial to "A", "M" or "V" for shooting.

To protect a selected picture

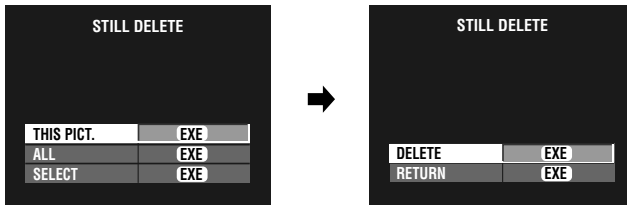
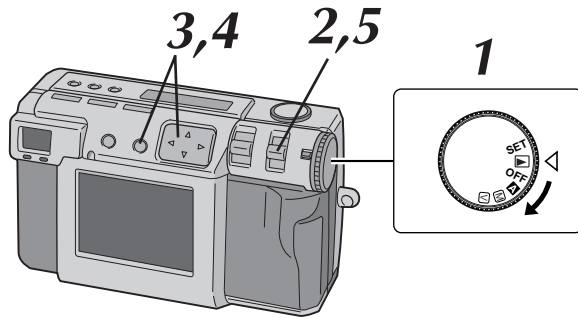
- 1** Select "SELECT" in step 3 in the left column, and then press the EXE button.
 - The 6 indexed picture screen appears.
- 2** Press the $\Delta \nabla \triangleleft \triangleright$ button to select the picture that you wish to protect, and then press the EXE button.
 - " (protection indicator) appears.

NOTES:

- Protected picture will be deleted if the Memory card on which it is stored is reformatted.
- Important pictures that must be saved should be transferred to a personal computer and stored there.

Deleting Pictures

There are three methods for deleting pictures: deleting the displayed picture, deleting all pictures, and deleting a selected picture. Video files can be deleted in the same way.



- 1** Turn the Power dial to "S-DELETE".
 - Hold down the Lock button while turning the Power dial.
 - The playback picture appears on the LCD screen.
- 2** Select "S-DELETE" with the MODE switch.
 - The STILL DELETE screen appears.
 - To delete a video file, select "V-DELETE". The VIDEO DELETE screen will appear.
- 3** To delete the picture that is currently displayed, press the $\Delta \nabla$ button to select "THIS PICT.", and then press the EXE button.
 - To delete all pictures, select "ALL", and then press the EXE button. "📵" (deletion indicator) appears.
- 4** Press the $\Delta \nabla$ button to select "DELETE", and then press the EXE button.
- 5** Select "STILL PB" with the MODE switch, and then confirm that the deletion has been completed. (➡ pg. 31)

To delete a selected picture

- 1** Select "SELECT" in step 3 in the left column, and then press the EXE button.
 - The 6 indexed picture screen appears.
- 2** Press the $\Delta \nabla \triangleleft \triangleright$ button to select the picture that you wish to delete.
 - "📵" (deletion indicator) appears.
- 3** Press the $\Delta \nabla$ button to select "NEXT", and then press the EXE button.
- 4** Press the $\Delta \nabla$ button to select "DELETE", and then press the EXE button.

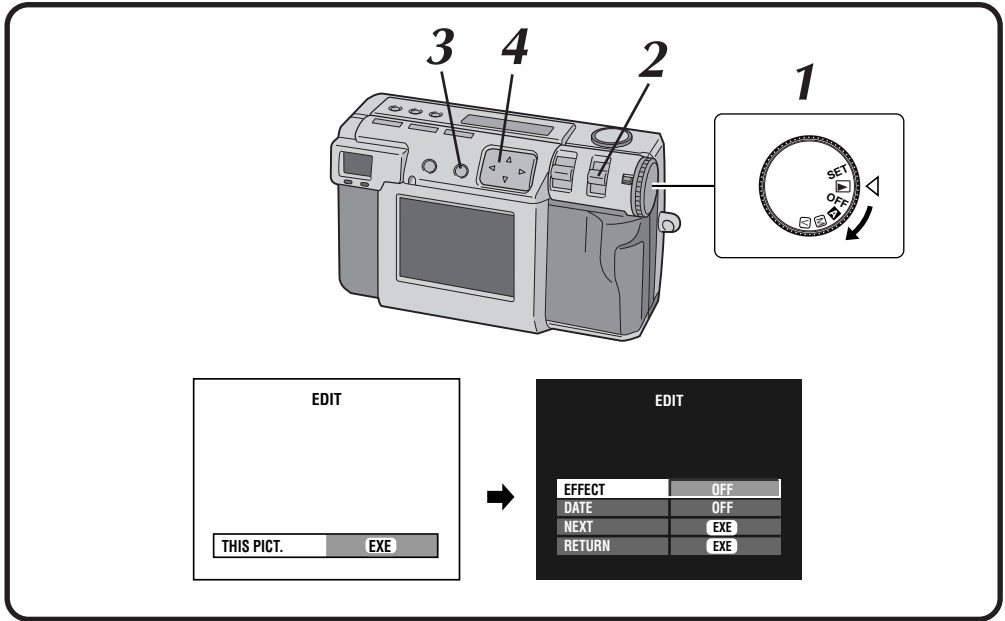
NOTES:

- To delete the unnecessary picture which is protected, unlock the protection and delete the picture.
- Do not remove the memory card or turn off the power while the delete operation is in progress. Doing so could result in malfunction or damage to the equipment.
- Also, use the AC adapter provided when performing the delete operation.

Adding Special Effects

You can add digital special effects to playback pictures.

You can make pictures black and white or sepia tone, or you can use the camera as a simple film scanner.



1 Turn the Power dial to "EDIT".

- Hold the Lock button down while turning the Power dial.

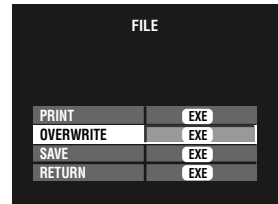
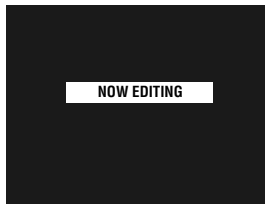
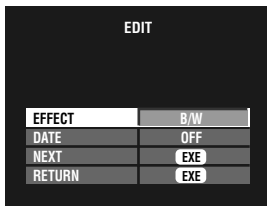
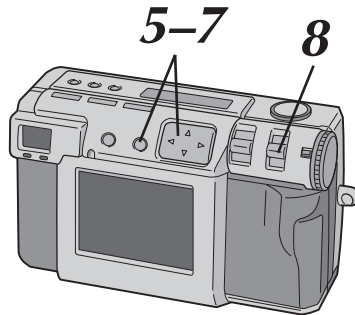
2 Select "EDIT" with the MODE switch.

- "EDIT" appears on the LCD panel.

3 To add special effects to the picture that is currently displayed, press the EXE button.

- To select a picture, press the DISPLAY button. In the 6 indexed screen, press the $\Delta \nabla \triangleleft \triangleright$ button to select a picture, and then press the DISPLAY button.
- The EDIT screen appears.

4 Press the $\Delta \nabla$ button to select "EFFECT".



5 Press the $\triangleleft \triangleright$ button to select “OFF”, “B/W”, “SEPIA”, or “NEGA/POSI”.

- Press the $\triangleleft \triangleright$ button repeatedly to cycle through the following modes:
OFF: No special effects.
B/W: Converts a picture from color to black and white.
SEPIA: Gives a picture a sepia tone, creating a retrospective look.
NEGA/POSI: Gives a picture a negative or positive film effect.

6 Press the $\triangle \nabla$ button to select “NEXT”, and then press the EXE button.

- “NOW EDITING” appears, then FILE screen will appear.

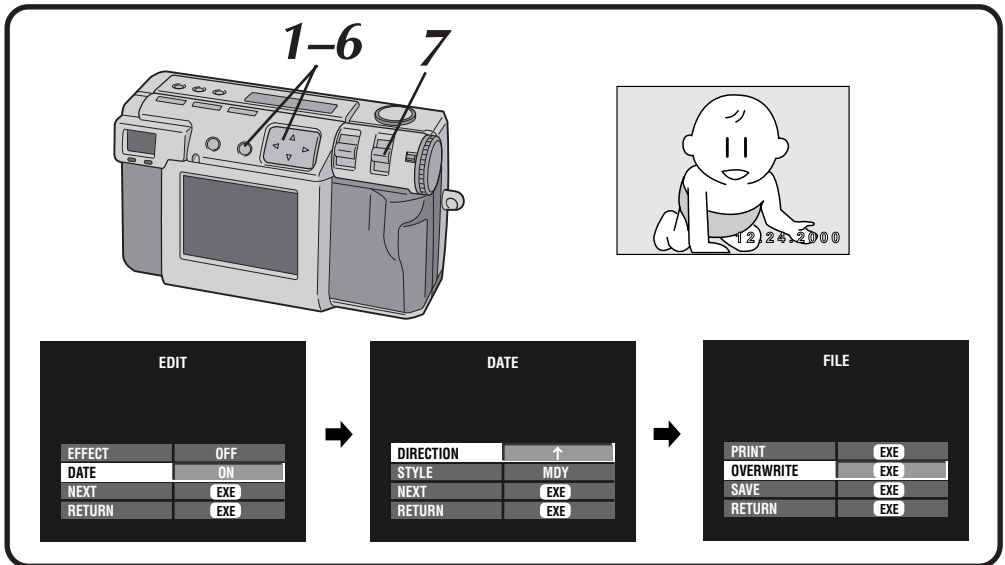
7 Press the $\triangle \nabla$ button to select “OVERWRITE” or “SAVE”, and then press the EXE button.

- It is not possible to overwrite the file when the remaining memory of the Memory card is not enough.
- You can also add date or calendar information to a file. (☞ pg. 59, 60)
- You can print the file that you have added special effects. (☞ pg. 63)

8 Select “STILL PB” with the MODE switch, and then confirm that the file has been saved. (☞ pg. 31)

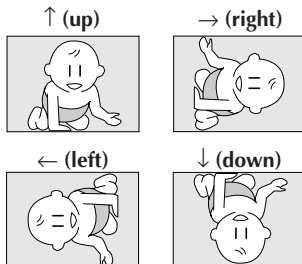
Inputting the Date

You can display the date when playing back or printing pictures on the optional printer.



Perform steps 1 – 3 on the page 57 before the following procedures.

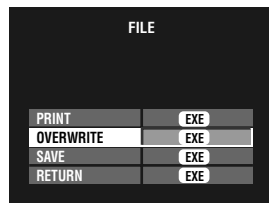
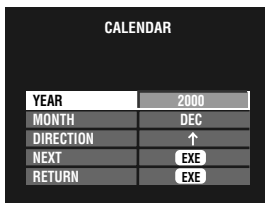
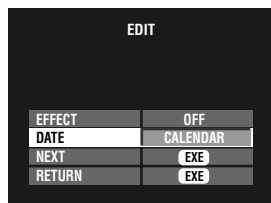
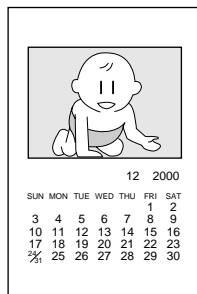
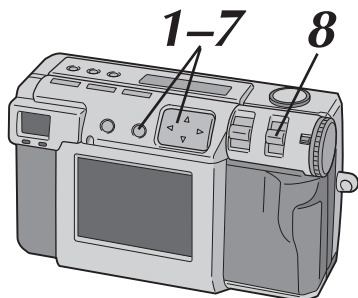
- 1** Press the $\Delta \nabla$ button to select "DATE", and then press the $\triangleleft \triangleright$ button to select "ON".
- 2** Press the $\Delta \nabla$ button to select "NEXT", and then press the EXE button.
 - The DATE screen appears.
- 3** Press the $\Delta \nabla$ button to select "DIRECTION", and then press the $\triangleleft \triangleright$ button to select the direction of the picture.
 - Press the $\triangleleft \triangleright$ button repeatedly to cycle through \uparrow (up), \rightarrow (right), \downarrow (down) or \leftarrow (left).
 - Select the up side of the picture.



- 4** Press the $\Delta \nabla$ button to select "STYLE", and then press the $\triangleleft \triangleright$ button to select "YMD", "MDY" or "DMY".
- 5** Press the $\Delta \nabla$ button to select "NEXT", and then press the EXE button.
 - "NOW EDITING" appears, then FILE screen will appear.
- 6** Press the $\Delta \nabla$ button to select "OVERWRITE" or "SAVE", and then press the EXE button.
 - "NOW RECORDING" appears on the LCD screen.
 - You can also print the file to which you have added special effects. (pg. 63)
- 7** Select "STILL PB" with the MODE switch, and then confirm that the file has been saved. (pg. 31)

Inputting the Calendar

You can display the calendar when playing back or printing pictures on the optional printer.



Perform steps 1 – 3 on the page 57 before the following procedures.

- 1** Press the $\Delta \nabla$ button to select "DATE", and then press the $\triangleleft \triangleright$ button to select "CALENDAR".
- 2** Press the $\Delta \nabla$ button to select "NEXT", and then press the EXE button.
 - The CALENDAR screen appears.
- 3** Press the $\Delta \nabla$ button to select "YEAR", and then press the $\triangleleft \triangleright$ button to select the year.
- 4** Press the $\Delta \nabla$ button to select "MONTH", and then press the $\triangleleft \triangleright$ button to select the month.
- 5** Press the $\Delta \nabla$ button to select "DIRECTION", and then press the $\triangleleft \triangleright$ button to select the direction of the picture.
 - Press the $\triangleleft \triangleright$ button repeatedly to cycle through \uparrow (up), \rightarrow (right), \downarrow (down) or \leftarrow (left).
 - Select the up side of the picture. (Refer to the illustration in step 3 on page 59)

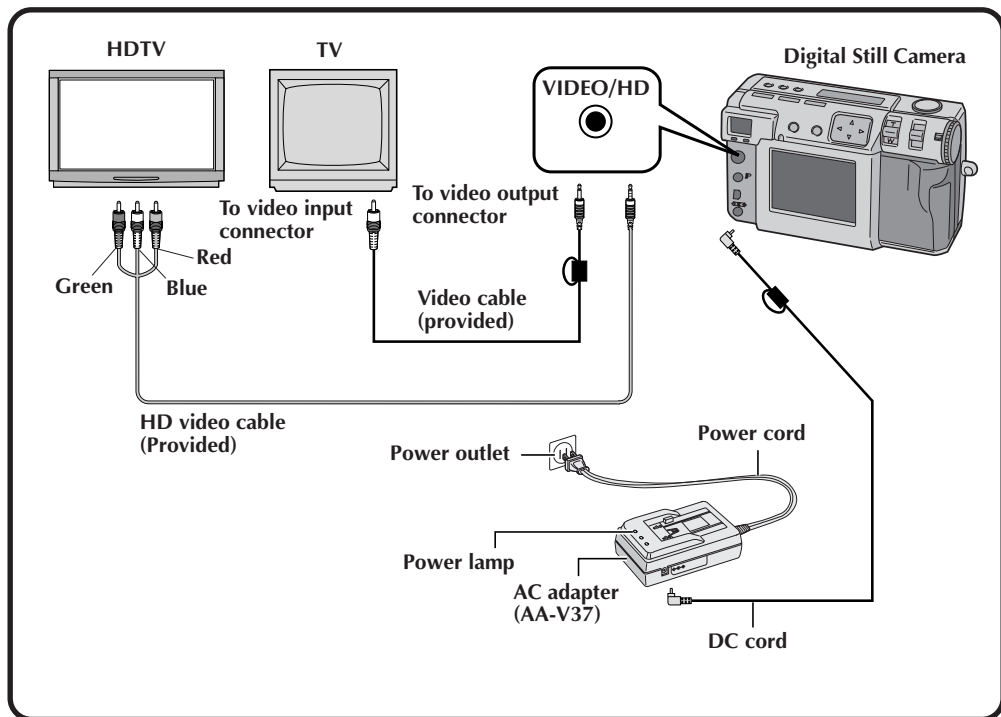
- 6** Press the $\Delta \nabla$ button to select "NEXT", and then press the EXE button.
 - "NOW EDITING" appears, then FILE screen will appear.
- 7** Press the $\Delta \nabla$ button to select "OVERWRITE" or "SAVE", and then press the EXE button.
 - "NOW RECORDING" appears on the LCD screen.
 - You can also print the file to which you have added special effects. (☞ pg. 63)
- 8** Select "STILL PB" with the MODE switch, and then confirm that the file has been saved. (☞ pg. 31)

NOTE:

- Even if a part of the calendar cannot be seen on the LCD screen, the edited image is saved normally.

Connecting the Camera to a TV or HDTV

You can view the photographed still pictures on TV or HDTV.



NOTES:

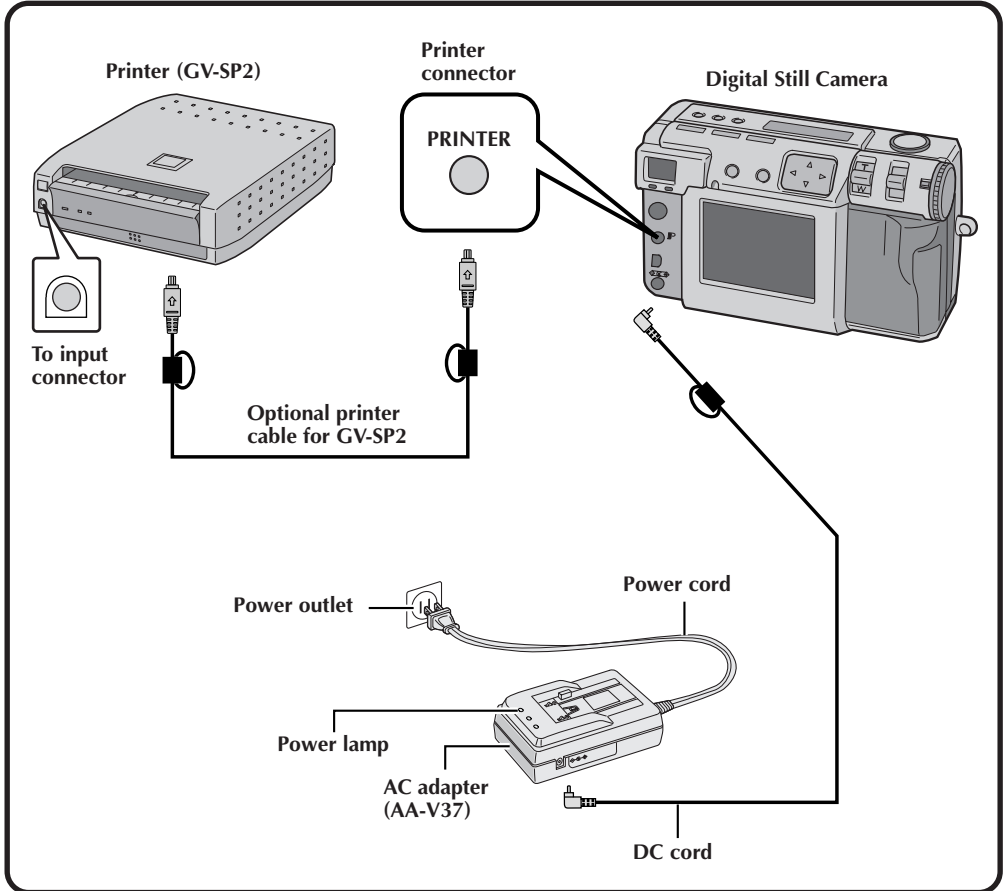
- Refer to page 31 for operations of the camera. Select "HDTV" to view pictures on HDTV. (pg. 31)
- Refer to the TV's instruction manual for connections and operations of your TV.
- When viewing a still picture on TV, diagonal lines may take on a jagged appearance.

When using the HDTV MODE

- 2032 x 1536 size pictures can be scrolled up/down with the Δ / ∇ button.
- 1024 x 768 and 640 x 480 size pictures are displayed in the center of the TV with black around the edges.
- "HDTV MODE" appears on LCD display.
- Setting the TV to the HDTV mode will disturb the picture.
- Setting HDTVs to other playback modes will disturb the picture.

Connecting the Camera to a Printer

If you connect the camera to an optional printer (GV-SP2), you can easily print a picture taken by this camera.

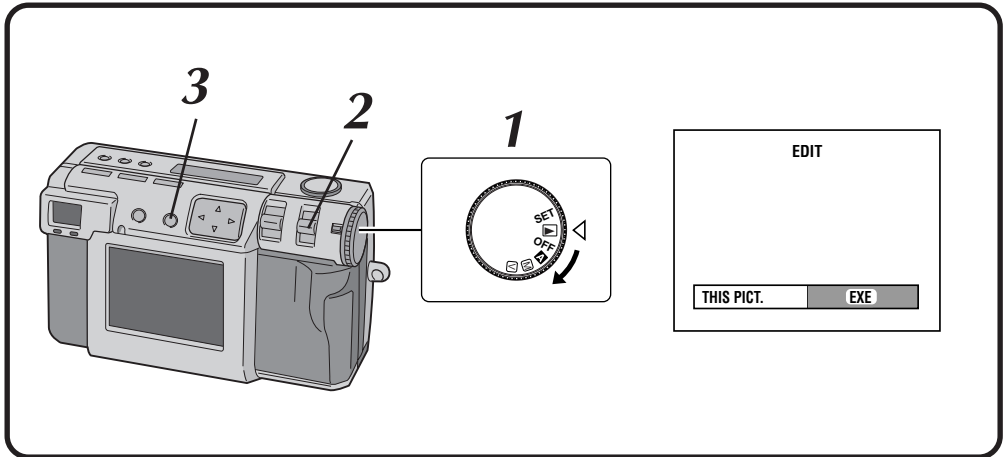


NOTES:

- Refer to the printer's instruction manual for connections and operations of your printer.
- When connecting the printer cable, make sure to confirm the shape of the plug.

Printing a Picture

If you have a JVC printer (GV-SP2), you can print a picture with (or without) a white frame. It is also possible to print multiple copies of the same photo. You can also use stickers in combination with the function that prints 16 thumbnail images to create your own photo stickers. Make sure to use the provided AC adapter (AA-V37).



1 Turn the Power dial to "EDIT".

- Hold the Lock button down while turning the Power dial.

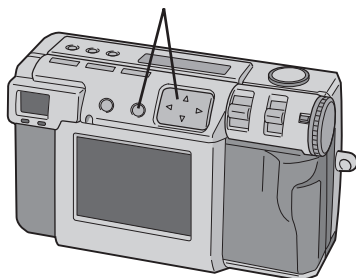
2 Select "EDIT" with the MODE switch.

- "EDIT" appears on the LCD panel.
- You can print the pictures with special effects, date or calendar. (☞ pg. 57 – 60)

3 To print the picture that is currently displayed, press the EXE button.

- To select a picture, press the DISPLAY button. In the 6 indexed screen, press the $\Delta \nabla \triangleleft \triangleright$ button to select a picture, and then press the DISPLAY button.

4-8



EDIT	
EFFECT	OFF
DATE	OFF
NEXT	EXE
RETURN	EXE



FILE	
PRINT	EXE
OVERWRITE	EXE
SAVE	EXE
CANCEL	EXE



PRINTER OUTPUT	
SHEET	1
FRAME	OFF
PRINT	EXE
CANCEL	EXE

4 Press the $\triangle \nabla$ button to select “NEXT”, and then press the EXE button.

- The FILE screen will appear.

5 Press the $\triangle \nabla$ button to select “PRINT”, and then press the EXE button.

- The PRINTER OUTPUT screen appears.

6 Press the $\triangle \nabla$ button to select “SHEET”, and then press the $\triangle \nabla$ button to set the number of copies.

- Maximum number of copies are 25.

7 Press the $\triangle \nabla$ button to select “FRAME”, and then press the $\triangle \nabla$ button to select “OFF”, “ON” or “MULTI 16”.

8 Press the $\triangle \nabla$ button to select “PRINT”, and then press the EXE button.

- “NOW PRINTING” appears.
- Pressing the EXE button during printing cancels the printing and goes back to step 6.
- After printing has finished, the FILE screen appears.

NOTES:

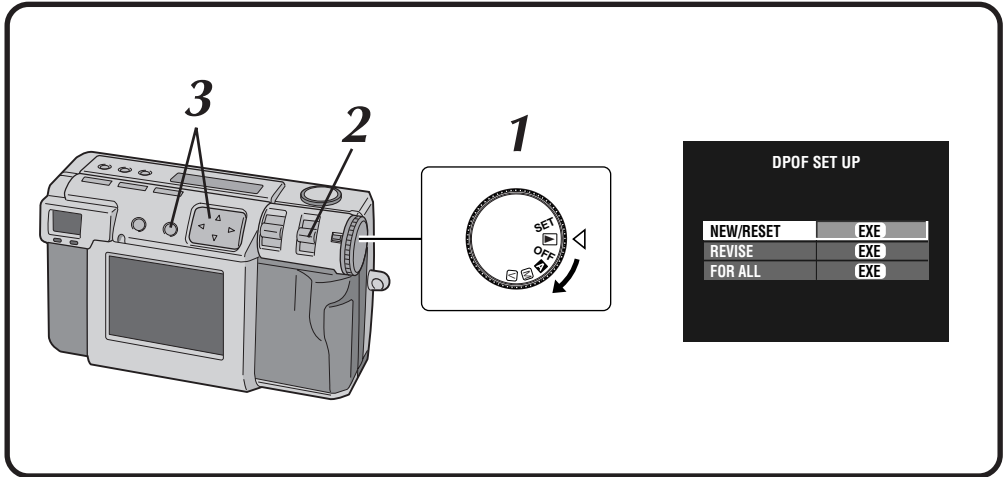
- Printing takes longer if the picture size is set to 2032 x 1536.
- When printing with the calendar displayed, “OFF” cannot be selected for “FRAME”.
- When printing with the date or the calendar displayed, the characters may be difficult to see. If this happens, we recommend setting the picture size to 2032 x 1536. (→ pg. 28)
- If an “out of paper” or other error occurs in the printer, correct the problem and then press the EXE button again to resume printing.

Printing by DPOF Setting

If you have a JVC printer (GV-SP2), and have made the DPOF* setting for your photos, you can print your photos in the following ways:

- You can print one copy of all pictures.
- You can set and print the different number of copies for each picture.

* "DPOF" stands for "Digital Print Order Format". Data which has been written in a Memory card with the DPOF setting conforms with this standard.

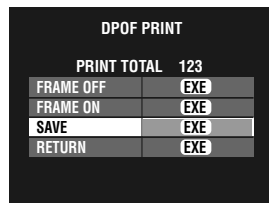
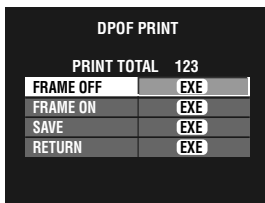
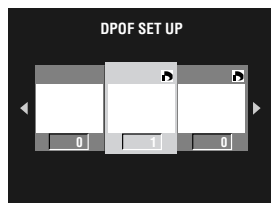
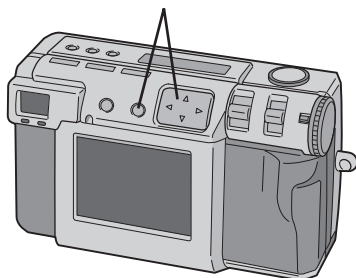


- 1** Turn the Power dial to "ON".
- Hold the Lock button down while turning the Power dial.

- 2** Select "DPOF" with the MODE switch.
- "DPOF SET" appears on the LCD panel.
 - The DPOF SET UP screen appears on the LCD screen.

- 3** Press the Δ ∇ button to select one of the DPOF settings, and then press the EXE button.
- NEW/RESET:**
When there is no file that was set up previously.
- REVISE:**
When revising a file that was set up previously.
- FOR ALL:**
When setting the same number of copies on the all pictures.

4-6



4 Press the \triangleleft \triangleright button to select a picture, and press the \triangle ∇ button to enter the number of copies, and then press the EXE button.

- The DPOF PRINT screen appears.

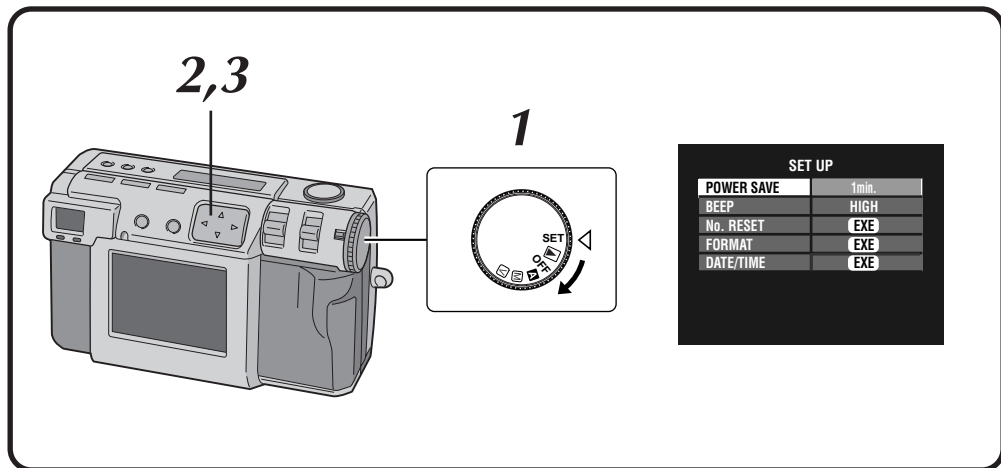
5 Press the \triangle ∇ button to select “FRAME OFF” or “FRAME ON”, and then press the EXE button.

- After the DPOF file is saved on the Memory card, the printing starts as set in step 4.
- “NOW PRINTING” appears.
- Pressing the EXE button during printing cancels the printing and goes back to step 4.
- The total number of copies that have been set in step 4 is displayed.
- To return to step 3, select “RETURN”.
- After printing has finished, the DPOF PRINT screen appears.

6 Press the \triangle ∇ button to select “SAVE”, and then press the EXE button.

Changing Settings in the SET UP Menu

You can change the system settings according to your photography needs. For example, you can turn the beep sound off, or you can change the frame size for better picture quality.



1 Turn the Power dial to "SET".

- Hold the Lock button down while turning the Power dial.
- The SET UP screen appears.

2 Press the \triangle / ∇ button to select an item.

3 Press the \triangleleft / \triangleright button to change the setting.

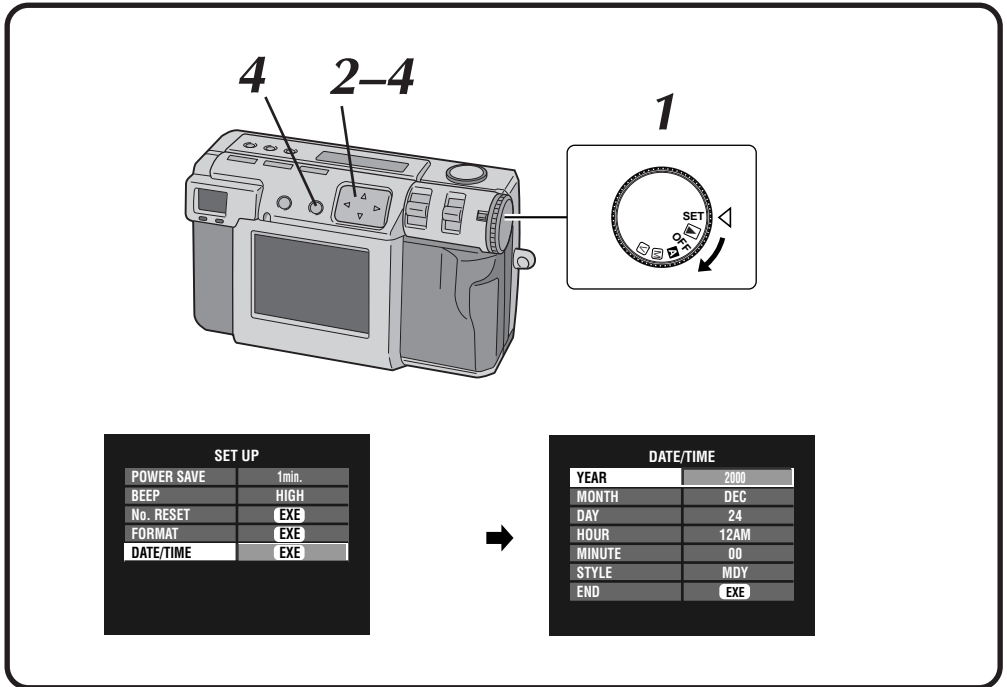
- To set the "No. RESET", "FORMAT" (☞ pg. 23) or "DATE/TIME" (☞ pg. 69), after selecting the item press the EXE button.

SET UP Menu

Item	Contents
POWER SAVE	<p>The LCD panel and LCD screen are turned off during the power save mode. To reactivate the camera, press the DISPLAY button.</p> <p>1 min.: Enters the power save mode after 1 minute of no activity.</p> <p>3 min.: Enters the power save mode after 3 minutes of no activity.</p> <ul style="list-style-type: none"> • After 10 more minutes has elapsed, the camera shuts off the power automatically. To turn the camera on again, turn the Power dial to "OFF" first and then to "A", "M", "V" or "P".
BEEP	<p>You can adjust the tone of the warning beep. There are three settings:</p> <p>HIGH: The high tone.</p> <p>LOW: The low tone.</p> <p>OFF: No beeps.</p>
No. RESET	<p>EXE: You can reset the image number counter. The next image you take will be numbered "1".</p>
FORMAT	<p>EXE: Formats a Memory card. (☞ pg. 23)</p>
DATE/TIME	<p>EXE: Sets the camera's internal clock. (☞ pg. 69)</p>

Setting the Date and Time

This procedure sets the camera's internal clock. Use this procedure to reset the time and date if you take the camera overseas, or if the clock otherwise needs to be reset.



- 1** Turn the Power dial to "SET".
- Hold the Lock button down while turning the Power dial.
 - The SET UP screen appears.

- 2** Press the Δ / ∇ button to select "DATE/TIME", and then press the EXE button.
- The DATE/TIME screen appears.

- 3** Press the Δ / ∇ button to select "YEAR", "MONTH", "DAY", "HOUR", "MINUTE", or "STYLE", and press the \triangleleft / \triangleright button to change the settings.

- 4** Press the Δ / ∇ button to select "END", and then press the EXE button.
- The SET UP screen returns.

NOTES:

- The date and time that are set are stored in memory powered by the backup battery. The backup battery is recharged when the camera is connected to a power source, such as the AC adapter, for at least 24 hours.
- The clock will not function if the minutes are not set.
- The date and time display are stored in memory only as shooting information. The date and time are not recorded in the image itself.

SOFTWARE SECTION

You can find the latest information (in English)
on the provided software program at our World
Wide Web Server.
<http://www.jvc-victor.co.jp/english/index-e.html>

USB Driver (for Windows® / Macintosh®)

Video Player (for Windows®)

JVC Video Decoder (for Macintosh®)

Operating Environment

The host computer that runs the Windows® operating environment must satisfy the following conditions.

USB Driver

1. Microsoft® Windows® 98/Windows® 98 Second Edition, Full version (Not Upgrade)/Windows® 2000 Professional (Not Upgrade)
2. Available USB port
3. CD-ROM drive

Video Player

1. CPU: Intel® Pentium® 200MHz class or higher
2. Microsoft® Windows® 95/Windows® 98
3. Display capability of 65,536 colors or more
4. CD-ROM drive
5. Minimum RAM requirement: 32MB
6. Minimum hard disk space requirement: 1MB

* The system requirements information is not a guarantee that provided software applications will work on all personal computers meeting those requirements.

* Microsoft®, Windows® are either registered trademarks or trademarks of Microsoft corporation in United States and/or other countries.

* Intel®, Pentium® are registered trademarks of Intel corporation.

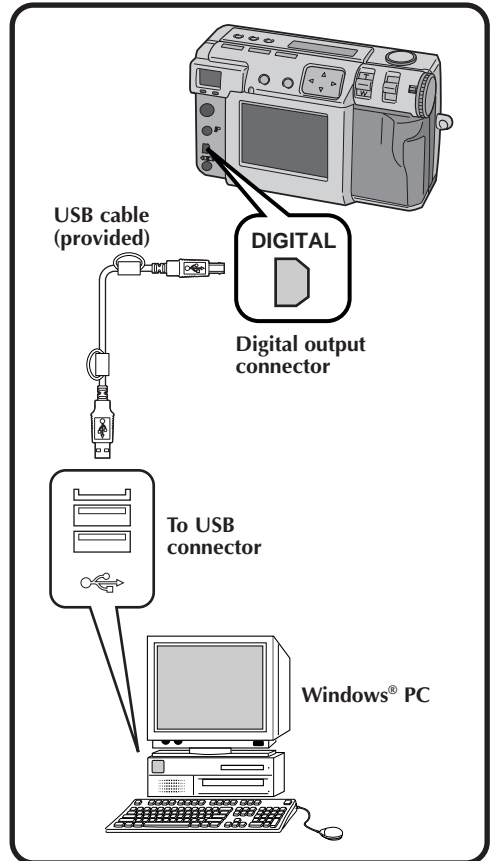
* Other trademarks are property of their respective owners.

* If you use Windows® 95 or a personal computer which does not have a USB port, use an optional flash path, conversion card adapter, etc. For details on the operating environment of these devices, contact the dealers or manufacturers.

NOTE:

- Additional information regarding setup and information not contained in the instruction manual can be found in the file readme.txt. Please read this file before installing the accompanying software.

USB Connection



NOTES:

- Make sure to use the provided AC adapter (AA-V37) to power the camera, when using camera connected to a personal computer.
- When connecting the provided USB cable, make sure to confirm the shape of the plug.
- When connecting the camera to a personal computer via a USB cable, the personal computer is sometimes unable to recognize the device that is connected. Therefore, first turn both the camera and the personal computer on, and then connect the USB cable.

Installing the USB Driver

For details on the basic operation of Windows®, refer to the instruction manual provided with your computer or Windows®. Windows displayed on the right are examples of Windows® 98.

Preparation

Start Windows®.

- If you are running other software, close that software. (Make sure that there are no other application icons open on the task bar.)

- 1 Turn the Power dial to "▶".
 - Hold the Lock button down while turning the Power dial.
- 2 Select "USB MODE" with the MODE switch.
 - "USB MODE" appears on the LCD panel.
- 3 Connect the camera to the computer using the provided USB cable. (▶ pg. 71)
 - The "Add New Hardware Wizard" window will appear.
- 4 Load the provided CD-ROM to the CD-ROM drive.
- 5 Click the "Next" button.
- 6 Click the "Next" button.
- 7 Confirm that "CD-ROM drive" has been checked, then click the "Next" button.
 - When the loaded CD-ROM is not found, click "Browse" button and select the provided CD-ROM.
- 8 Click the "Next" button.
- 9 Click the "Finish" button.



Installing the Video Player

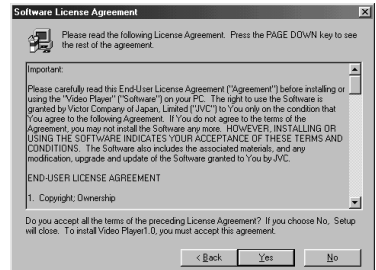
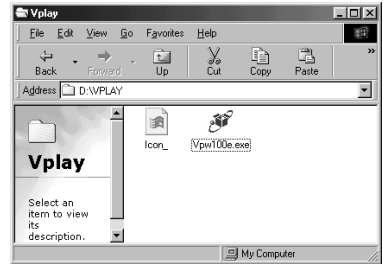
For details on the basic operation of Windows®, refer to the instruction manual provided with your computer or Windows®.

Preparation

Start Windows®.

- If you are running other software, close that software. (Make sure that there are no other application icons open on the task bar.)

- 1 Load the provided CD-ROM to the CD-ROM drive.
- 2 Double click on the CD-ROM icon for the loaded CD-ROM, then double click on the "Vplay" folder.
 - The Vplay folder opens.
- 3 Double click on the "Vpw100e" icon.
- 4 Click the "Next" button.
- 5 Click the "Yes" button.
- 6 Click the "Next" button.
- 7 Restart the computer.
 - Click the "Yes, I want to restart my computer now", then click the "Finish" button.



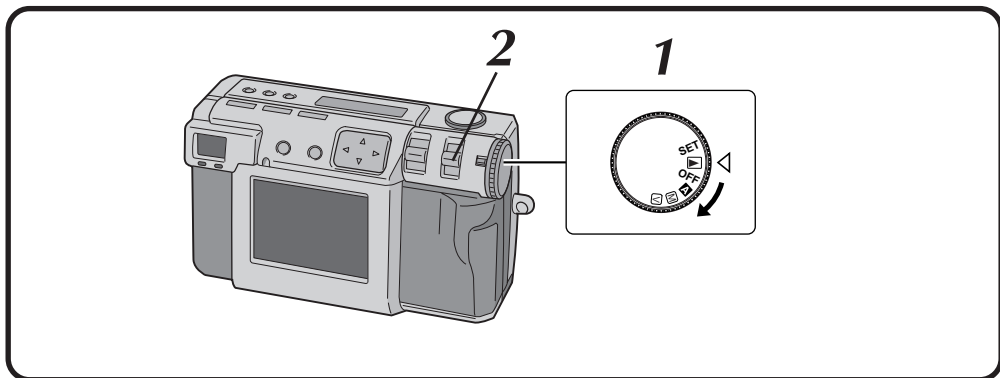
Sending Image File to Computer

For details on the basic operation of Windows®, refer to the instruction manual provided with your computer or Windows®.

Preparation

Start Windows®.

- Insert a Memory card in which there are files you want to send to a computer. (☞ pg. 22)
- It is recommended to protect the important files in advance. (☞ pg. 55)



1 Turn the Power dial to "⏻".

- Hold the Lock button down while turning the Power dial.

2 Select "USB MODE" with the MODE switch.

- "USB MODE" appears on the LCD panel.

3 Connect the camera to the computer using the provided USB cable. (☞ pg. 71)

4 Double click on the "Removable Disk" in the "My Computer" window.

5 Double click on the "DCVI (video)" or "DCIM (still picture)" folder.

6 Double click on the "100jvcgc" folder.

7 Copy the necessary files from "100jvcgc" folder to the desktop of the computer.

NOTES:

- When a file is being accessed from a personal computer, the flash standby lamp (red) will flash. Never disconnect the USB cable while the flash standby lamp (red) is flashing.
- The personal computer is sometimes unable to recognize the device that is connected via a USB cable. Therefore, when the copy of files has been finished, disconnect the USB cable and then control the camera with the MODE switch, Power dial, etc.

Sending a video by e-mail

You can easily send the copied video file as an attachment through your normal e-mail system.

NOTE:

- To open the video file which is sent by e-mail, you need a Video Player to expand the compressed file. You can also download the Video Player at our website.
(<http://www.jvc-victor.co.jp/english/download/index-e.html>)

Basic Playback

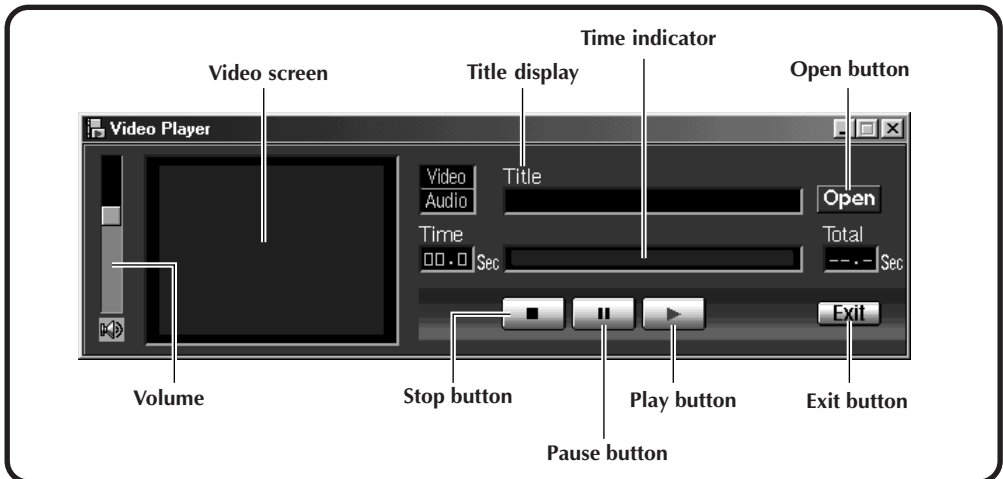
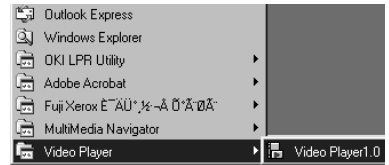
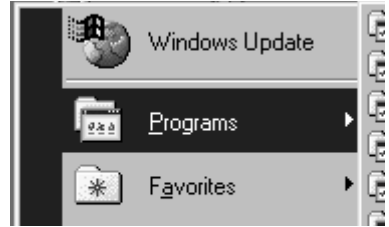
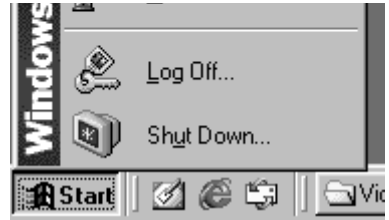
There are several different methods for playing back a video on the Video Player, depending on how you load the file.

Preparation

Start Windows®.

- Send the video file that you want to play back to the computer. (→ pg. 74)

- 1 Click the “Start” button.
 - The Start Menu bar appears.
- 2 Point the cursor to “Program”.
- 3 Point the cursor to “Video Player”.
- 4 Click the “Video Player”.
 - The Video Player window opens.
- 5 Click the “Open” button, then select the video file.
 - Select the file with the extension “.jmm”.
- 6 Click the “▶” button.
 - Playback of the video starts.
 - If you adjust the volume of Video Player, the volume setting of your computer will be changed, too. Return the computer’s volume to its previous setting after using Video Player.



Easy Playback

You can start playback easily by double clicking on the icon of a video file.

Preparation

Start Windows®.

- Send the video file that you want to play back to the computer. (☞ pg. 74)

1 Double clicking on the icon of a video file.

- Select the file with the extension “.jmm”.



2 Playback starts automatically.

- To stop playback, click the “■” button, and to pause, click the “||” button.

3 When the playback finishes, click the “Exit” button.

- The Video Player window closes.



Uninstalling the Software

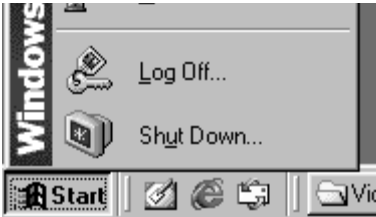
When you don't need to use the Video Player, uninstall the program.

Preparation

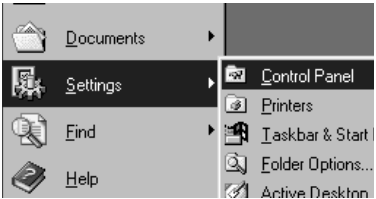
Start Windows®.

- If you are running other software, close that software. (Make sure that there are no other application icons open on the task bar.)

- 1 Click the "Start" button.
 - The Start Menu bar appears.



- 2 Point the cursor to "Settings".



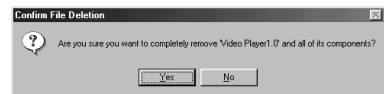
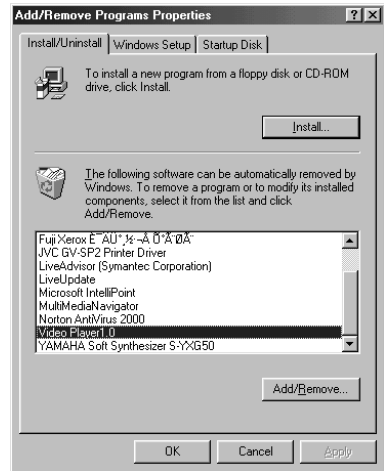
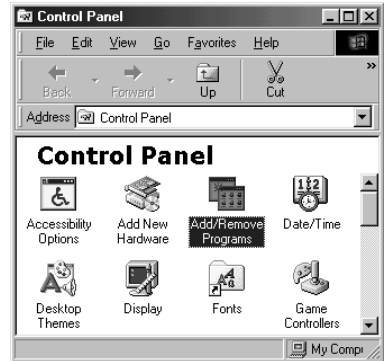
- 3 Click the "Control Panel".

- 4 Double click on the "Add/Remove Programs".

- 5 Click the "Video Player", then click the "Add/Remove" button.

- 6 Click the "Yes" button.

- 7 After confirming that the Video Player is removed, click the "OK" button.



SOFTWARE SECTION FOR Macintosh®

Operating Environment

The host computer that runs the Macintosh® operating environment must satisfy the following conditions.

USB Driver

1. USB-compatible computer (iMac™, iBook™, Power Mac™ G3/G4, Power Book™ G3, etc.)
2. Mac OS 8.5.1/Mac OS 8.6/Mac OS 9.0

JVC Video Decoder

1. Power PC 603e/120MHz or faster
2. Mac OS 7.6.1 or later
3. QuickTime 3.0 or later
4. Minimum RAM requirement: 32MB
5. Minimum hard disk space requirement: 1MB

* Macintosh® is a registered trademark of Apple Computer.

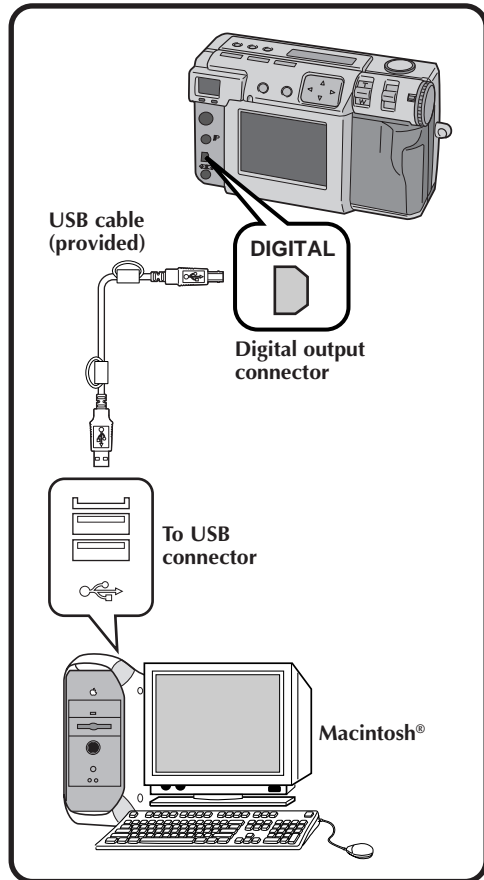
* Other trademarks are property of their respective owners.

* If you use Macintosh® which does not have a USB port, use an optional flash path, conversion card adapter, etc. For details on the operating environment of these devices, contact the dealers or manufacturers.

NOTE:

- Additional information regarding setup and information not contained in the instruction manual can be found in the file readme.txt. Please read this file before installing the accompanying software.

USB Connection



NOTES:

- Make sure to use the provided AC adapter (AA-V37) to power the camera, when using camera connected to a personal computer.
- When connecting the provided USB cable, make sure to confirm the shape of the plug.
- When connecting the camera to a personal computer via a USB cable, the personal computer is sometimes unable to recognize the device that is connected. Therefore, first turn both the camera and the personal computer on, and then connect the USB cable.

Installing the USB Driver

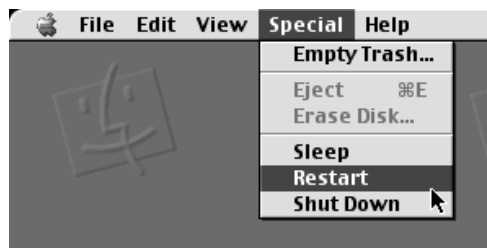
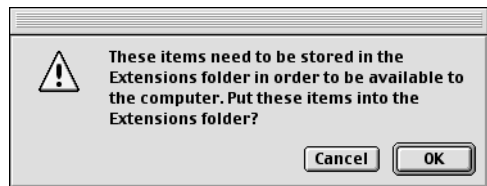
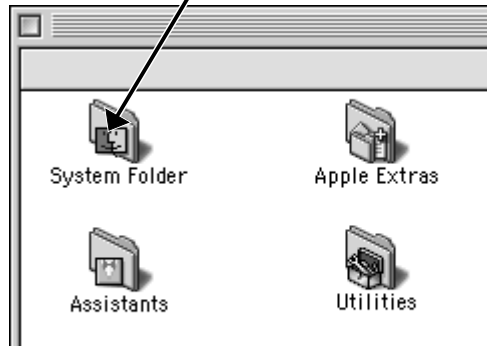
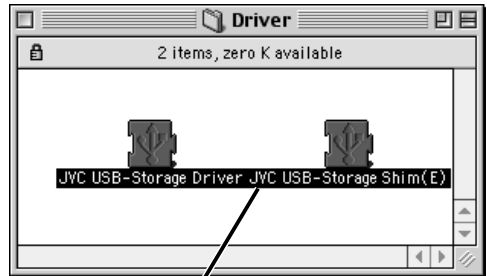
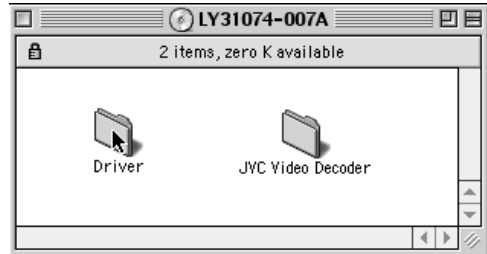
For details on the basic operation of Mac OS, refer to the instruction manual provided with your Macintosh® or Mac OS.

Preparation

Start Macintosh®.

- If you are running other software, close that software.

- 1 Load the provided CD-ROM to the CD-ROM drive.
- 2 Double click on the loaded CD-ROM icon.
- 3 Double click on "Driver" folder.
- 4 Drag the "JVC USB-Storage Driver" and "JVC USB-Storage Shim (E)" icons to the "System Folder", then drop the icon there.
- 5 Click the "OK" button when the dialog box appears.
- 6 Restart the computer.



Installing the JVC Video Decoder

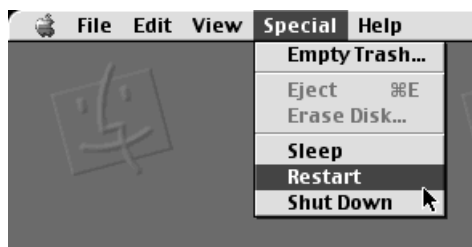
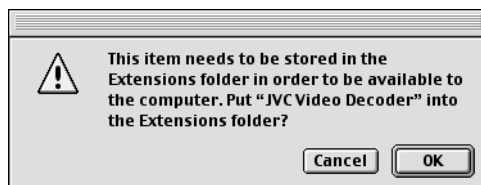
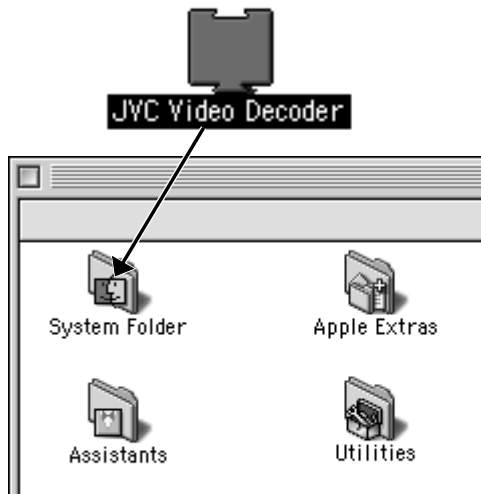
For details on the basic operation of Mac OS, refer to the instruction manual provided with your Macintosh® or Mac OS.

Preparation

Start Macintosh®.

- If you are running other software, close that software.

- 1 Load the provided CD-ROM to the CD-ROM drive.
- 2 Double click on the loaded CD-ROM icon.
- 3 Drag the "JVC Video Decoder" icon to the "System Folder", then drop the icon there.
- 4 Click the "OK" button when the dialog box appears.
- 5 Restart the computer.



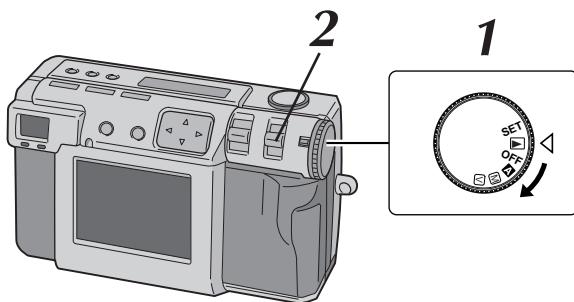
Sending Image File to Computer

For details on the basic operation of Mac OS, refer to the instruction manual provided with your Macintosh® or Mac OS.

Preparation

Start Macintosh®.

- Insert a Memory card in which there are files you want to send to a computer. (☞ pg. 22)
- It is recommended to protect the important files in advance. (☞ pg. 55)



- 1 Turn the Power dial to "⏻".**
 - Hold the Lock button down while turning the Power dial.
- 2 Select "USB MODE" with the MODE switch.**
 - "USB MODE" appears on the LCD panel.
- 3 Connect the camera to the computer using the provided USB cable. (☞ pg. 78)**
 - The "untitled" icon appears on the desktop of the computer.
- 4 Double click on the "untitled" icon.**
- 5 Double click on the "DCVI (video)" or "DCIM (still picture)" folder.**
- 6 Copy the necessary files from the "DCVI (video)" or "DCIM (still picture)" folder to the desktop of the computer.**
 - To copy a file in easy way, hold down the "option" key while dragging the file to the destination.

NOTES:

- When a file is being accessed from a personal computer, the flash standby lamp (red) will flash. Never disconnect the USB cable while the flash standby lamp (red) is flashing.
- The personal computer is sometimes unable to recognize the device that is connected via a USB cable. Therefore, when the copy of files has been finished, disconnect the USB cable and then control the camera with the MODE switch, Power dial, etc.

Sending a video by e-mail

You can easily send the copied video file as an attachment through your normal e-mail system.

NOTE:

- To open the video file which is sent by e-mail, you need a JVC Video Decoder to expand the compressed file. You can also download the JVC Video Decoder at our website. (<http://www.jvc-victor.co.jp/english/download/index-e.html>)

Basic Playback

There are several different methods for playing back a video on the QuickTime Player (or Movie Player), depending on how you load the file.

Preparation

Start Macintosh®.

- Make sure that you installed the JVC Video Decoder in advance. (☞ pg. 80)
- Send the video file that you want to play back to the computer. (☞ pg. 81)



1 Double click on the "QuickTime Player" icon.

- The QuickTime Player is normally provided with Macintosh®.

2 Select "Open Movie" from the "File" menu.

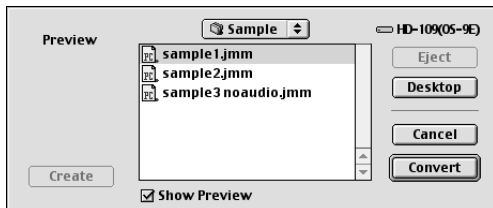
3 Select the video file in the dialog box.

- Select the file with the extension ".jmm".

4 Click the "Convert" button.

5 Click the "▶" button.

- Playback of the video starts.
- For details on the basic operation of QuickTime Player (or Movie Player), refer to the instruction manual provided with your Macintosh® or visit the website of Apple Computer.



Play button

Easy Playback

You can start playback easily by double clicking on the icon of a video file.

Preparation

Start Macintosh®.

- Make sure that you installed the JVC Video Decoder in advance. (☞ pg. 80)
- Send the video file that you want to play back to the computer. (☞ pg. 81)

1 Double clicking on the icon of a video file.

- Select the file with the extension “.jmm”.

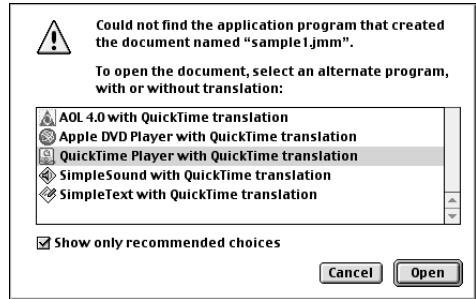
2 Select the “QuickTime Player” in the dialog box, then click the “Open” button.

3 Click the “▶” button.

- Playback of the video starts.
- For details on the basic operation of QuickTime Player (or Movie Player), refer to the instruction manual provided with your Macintosh® or visit the website of Apple Computer.

NOTE:

- Do not use PC Exchange to register “jmm” files. In some cases it is not possible to play back a “jmm” file that was copied from a DOS-formatted floppy disk.



Play button

Uninstalling the Software

When you don't need to use the JVC Video Decoder, uninstall the program.

Preparation

Start Macintosh®.

- If you are running other software, close that software.

1 Double click the "System Folder" icon.

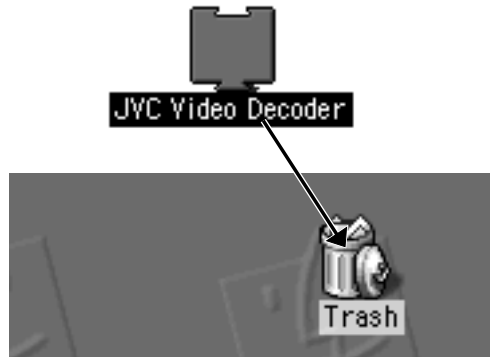
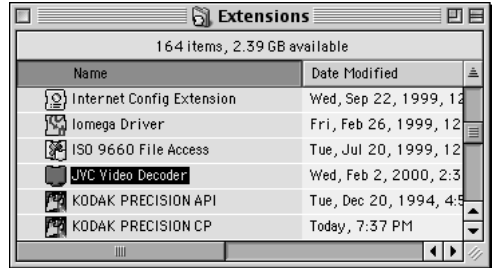
- The System Folder opens.

2 Double click the "Extensions" folder icon.

- The Extensions folder opens.

3 Drag the "JVC Video Decoder" icon to "Trash", then drop the icon there.

- If you want to delete the file completely, empty the trash.





Mr. Photo Gold:

Presto! Mr. Photo

For Windows and Macintosh

Presto! PhotoAlbum

For Windows and Macintosh

Presto! ImageFolio

For Windows

* Please consult your nearest NewSoft service center for technical support. (see next page)

NewSoft international service centre:

U.S.A: 4113 Clipper Court, Fremont, CA 94538, USA
Tel: 1-510-445-8600 Fax: 1-510-445-8601
Technical Support Hot Line: 1-510-445-8616
E-mail: tech@newsoftinc.com
<http://www.newsoftinc.com>

Taiwan: 3F, No.19-3, Sanchong Rd., Nankang, Taipei, Taiwan, R.O.C.
Tel: 886-2-2655-1234 Fax: 886-2-2655-1100
Technical Support Hot Line: 886-2-2655-1201
E-mail: support@newsoft.com.tw
<http://www.newsoft.com.tw>

Japan: 6-21-3 Shinbashi Minato-Ku, Tokyo 105-0004 Japan
Tel: 81-3-5472-7008 Fax: 81-3-5472-7009
E-mail: support@newsoft.co.jp
<http://www.newsoft.co.jp>

U.K.: The Software Centre, East Way,
East Mill Industrial Estate, Ivybridge
Devon, PL21 9PE, United Kingdom
Tel: 44-01752-201148 Fax: 44-01752-894833

France: Info Trade Centre
d'activités de l'Ourcq 45,
rue Delizy 93692 Pantin, France
Tel: 33-1-4810-7585 Fax: 33-1-4810-7555

Mr. Photo stores and catalogues all of your valuable photos. You can sort photos and film “rolls” by date and title (For Macintosh: This function is not supported.), or search by keyword, date, and other image properties. Then drag-and-drop photos to the Application Bar to create photo masterpieces using ready-made templates or design electronic photo albums. Click the Slide Show icon to view selected photos in a “roll” of film (For Macintosh: This function is not supported.), or drag-and-drop a photo to the E-mail icon to send it to family and friends.

Features

- Acquire photos from digital cameras, scanners, floppy disks, PhotoCDs, and the Internet. (For Macintosh: Macintosh also supports acquiring photos from Plug-In compliant devices.)
- Catalogue photos in “rolls” of film that you can customize and rearrange.
- Enhance photos instantly (remove red-eye, adjust brightness/contrast, blur/sharpen).
- Drag-and-drop photos to print, e-mail, create HTML slide shows, or post on the Internet.
- Drag-and-drop photos to other applications for further editing or creative projects.
- Save photos as a screen saver or as wallpaper. (For Macintosh: This function is not supported.)
- Print stickers, labels, and photo catalogues.

System Requirements

For Windows

- Digital Camera plus digital camera software.
- Scanner, if you intend to scan photos.
- A PC with at least a 486 microprocessor (a Pentium processor is recommended) and 16 MB RAM.
- Recommend at least 30 MB of hard disk space available after installation. Mr. Photo will need this space to work in.
- A CD-ROM drive to load Mr. Photo.
- Super VGA display card.
- MS Windows 95, 98 or Windows NT 4.0.

For Macintosh:

- A Power Macintosh computer.
- System 7.5 or later.
- CD-ROM drive.
- Hard drive with 30MB free disk space.
- 16MB RAM (32MB is recommended).
- At least 36MB virtual memory.

Presto! PhotoAlbum helps you create electronic photo albums that keep your memories alive forever. Just drag-and-drop photos, frames, clip art, textures, and special effects. You can also personalize your albums with voice-overs and sound effects, then produce album slide shows to post to the Internet or send completed albums by e-mail.

Features

- Scan or import your photos from digital cameras and scanners.
- Auto color correction for input photos.
- Drag-and-drop easy-editing operation.
- Photo Browser with thumbnail views of photos.
- Share albums with an Internet Browser.
- Library of over 500 pieces of clip art for decoration.
- Sound attachment with albums, pages and photos.
- Independent album playback support.
- Supports popular file formats: TIF, PCX, BMP, TGA, JPG, PCD, WMF, FPX, PNG, etc. (For Macintosh: WMF, PNG, FPX are not supported.)

System Requirements**For Windows**

- An IBM PC 486, Pentium or compatible computer.
- A CD-ROM drive.
- A hard disk drive with at least 50 MB space available to hold and run the program effectively.
- At least 16 MB of RAM (preferably 32 MB).
- MS Windows 95, 98 or Windows NT 4.0.

For Macintosh:

- A Power Macintosh or Macintosh with 68030 or higher processor.
- A CD-ROM drive.
- A hard disk drive with at least 127 MB space available to hold and run the program effectively. (67 MB for the software, and a minimum of 60 MB to be used as virtual memory for efficient use of the program.)
- At least 16 MB of RAM (preferably 48 MB).
- System 7.5 or later.

Recommended System Requirements

- A sound card with a microphone.
- A color printer.
- A network browser such as Internet Explorer 3.0 or Netscape Navigator 3.0, or later.

ImageFolio is a comprehensive multimedia image processing program running under MS Windows 95, 98 or Windows NT. It enables you to process in detail on your computer screen scanned images such as photographs, graphics and drawings, as well as images captured from video devices such as a VCR, a laser disc, a digital camera, a video capture box, etc.

You can create new images by using the powerful tools included in the software. Its sophisticated set of image editing tools enables you to quickly sketch an image canvas in order to create a new image, or to enhance pre-existing ones. With this software, your imagination is your only limit!

Features

Image Input

- Captures images from flatbed/hand scanner, digital camera, capture box, etc.
- **Auto & Semi-auto image stitching for inputting large-sized images.**
- Loading/saving images with various popular file formats such as TIF, PCX, BMP, TGA, JPG, PCD, WMF, PNG, etc.
- New Flash Pix format support.

Image Output

- Print color-adjustment variations for examining the printing effect before actual printing.
- OLE 2.0 support for stand-alone editing mode.
- Easy artwork design for home page production and HTML applications.

Image Editing and Processing

- **Multiple-layer single document for complicated object organization.**
- Drag-and-drop floating images among documents (moving a selected area to new or other canvases).
- Precise color selection by setting color channels or choosing from a palette.
- Complete drawing and painting set of tools to work on images such as line, paint-brush, airbrush, color gradation, eraser, zoom, text, eyedropper, free-hand rotate, hue/saturation brush, brightness/darkness brush, blur/sharpen brush, image hose, etc.
- **Definable image hose tool for quick insertion of image set on canvas.**
- Anti-alias feature with all graphic tools to enhance the drawing effect.
- Full selection tools for easy masking of irregularities in objects.
- Creating magic 3D effects with definable light source for selected objects with one touch.

- Generating object shadows in selectable light directions with one touch.
- Elegant templates provided for easy applications of daily-life photo usage.
- Image fine-tuning functions to adjust brightness, contrast, hue, saturation, tone distribution (equalization) and so on.
- Multiple filters to produce special effects such as smooth, sharpen, edge detection, emboss and mosaic.
- Effect browser providing previews in actual size of image, processed with all the fine-tuning functions and filters.
- 16- and 32- bit Adobe™ plug-in filter interface support.

System Requirements

The following hardware devices and software are required to run the software:

- An IBM PC 486, Pentium or compatible computer.
- One CD-ROM drive.
- One hard disk drive with at least 60 MB space available to hold and run the program effectively.
- At least 8 MB of RAM (preferably 16 MB).
- MS Windows 95, 98 or Windows NT.

To make fully efficient use of the program, the following additional hardware and software elements are highly recommended:

- 50 MB or more of virtual memory.
- A color printer supported by MS Windows 95.

For Windows:

Follow the steps below to install Mr. Photo, PhotoAlbum and ImageFolio.

1. Insert the program CD into your CD-ROM drive.
2. Press the Start button and choose Run.
3. Type [drive]:\setup.exe and choose OK. The installation program will automatically detect the language being used in the version of Windows you are running.
4. Follow the instructions on your screen as they appear.

For Macintosh:

To install Mr. Photo and PhotoAlbum:

1. Insert the program CD into your CD-ROM drive.
2. Open CD. Double click on the Mr. Photo Installer or PhotoAlbum Installer icon to launch the setup program.

Then follow the on-screen instructions to complete the installation.

This digital still camera contains a microprocessor. The operation of the microprocessor can be disrupted by electronic noise or interference. If this happens, disconnect the power source (battery, AC adapter, etc.) from the camera, and then resume using the camera. If this does not solve the problem, and taking the action described below also does not solve the problem, contact your nearest JVC dealer.

SYMPTOM	CORRECTIVE ACTION	PAGE
Power supply		
The power does not come on.	<ul style="list-style-type: none"> ● Make sure that the battery is fully charged. ● Make sure that the power supply is connected correctly. 	18 20
While shooting		
Cannot shoot photos.	<ul style="list-style-type: none"> ● Make sure that the Power dial is set to "A" or "M". 	26
Cannot see the picture on the screen.	<ul style="list-style-type: none"> ● Try turning the power off and then back on again. 	26
Cannot use the menu functions.	<ul style="list-style-type: none"> ● Make sure that the Power dial is not set to "A". 	26
Half pressing the shutter button does not focus the camera.	<ul style="list-style-type: none"> ● Make sure that there is sufficient light, and make sure that there is enough contrast in your subject. 	34
When there is sunlight in the shot, the screen temporarily darkens or becomes black.	<ul style="list-style-type: none"> ● This is not a malfunction. 	—
The image on the LCD screen is dark, or too white.	<ul style="list-style-type: none"> ● Use the ZOOM lever to adjust the brightness of the LCD screen. ● You may be playing back a picture in a cold location. The LCD screen will appear slightly darker when it is cold. This is not a malfunction. ● The LCD screen may be nearing the end of its operational life. Contact your nearest JVC dealer. 	54
Memory Full.	<ul style="list-style-type: none"> ● The "MEMORY FULL" message appears when the memory is full, making it impossible to take any more pictures. Either use a Memory card that has some free space in it, or create some free space in memory by saving pictures to a personal computer and then deleting those pictures from the camera's memory. 	—
Color noise appears in contours of the subject on the LCD screen.	<ul style="list-style-type: none"> ● This is not a malfunction. There is no problem with the recorded images. 	—
The power turned off while attempting flash photography.	<ul style="list-style-type: none"> ● The power may turn off during flash photography, even if the remaining battery power is indicated to be at half of the battery capacity. 	—

SYMPTOM	CORRECTIVE ACTION	PAGE
Others		
Cannot shoot photos even if the remaining photos counter shows number more than 0.	<ul style="list-style-type: none"> ● The remaining photos counter indicates the approximate number. It may not be able to shoot a photo even if the counter shows number more than 0, depending on the image size and quality. 	28
The LCD screen is splotchy.	<ul style="list-style-type: none"> ● Make sure that you are not pressing on the surface of the LCD screen anywhere. Pressure on the surface of the LCD screen can cause splotches in the image. If you remove the pressure from the LCD screen, it will return to normal after a while. 	—
There are small bright or dark points on the LCD screen.	<ul style="list-style-type: none"> ● The LCD screen is manufactured using extremely precise technology, and over 99.99% of the pixels will be normal, but less than 0.01% will be either always off or always on. 	—
Cannot format a Memory card.	<ul style="list-style-type: none"> ● The protect seal may be placed on the Memory card. If the data on the Memory card has been backed up on a personal computer, remove the seal and format the card. 	23
Colored bands appear at the top and bottom of the screen when displaying the sun or a bright light source.	<ul style="list-style-type: none"> ● This is not a malfunction. There is no problem with the recorded images. 	—
The screen is unclear.	<ul style="list-style-type: none"> ● Make sure that the camera is not in HDTV MODE while connected to a regular television. ● Make sure that the camera is not in another playback mode while connected to an HDTV. 	61

Error Messages (for the camera)






Error messages appear on the LCD screen.

Messages	Contents	Page
MEMORY FULL	The storage capacity of the Memory card has been reached. You can store additional photos either by replacing the memory card with a new one, or by deleting photos that are no longer needed.	22
SET DATE/TIME	The date has not yet been set. Set the date.	69
WRITE PROTECTION	The Memory card is write protected. Check the contents of the card, and then either replace this memory card with a new one, or remove the protect sticker.	22
NO VALID IMAGE	This message is displayed if the Power dial is set to "D", when there are no pictures stored in the Memory card.	—
NO MEMORY CARD	This message is displayed if no Memory card has been inserted. Insert a Memory card. Otherwise, there are dust, finger prints, etc. on the contact surface on the Memory card. Clean the surface with a soft cloth.	22
FORMAT MEMORY CARD	This message is displayed if a Memory card that is not yet formatted has been inserted. Format the memory card.	23
NOW EDITING	This message is displayed when editing processing is in progress.	58
NOW RECORDING	This message is displayed when picture data is being saved to a Memory card.	30
NOW DELETING	This message is displayed when picture data is being deleted.	56
PROTECTED	This message is displayed when an attempt is made to delete the picture that is currently being displayed, and which is protected.	55
NOW FORMATTING	This message is displayed while a Memory card is being formatted.	23
HDTV MODE	This message is displayed when an HDTV signal is being output.	61

Error Messages (for the printer)

Error messages appear on the LCD screen. For details, refer to the printer's instruction manual.

Messages	Contents
CHECK INK CASSETTE	No ink cassette is loaded.
REPLACE INK CASSETTE	The ink cassette is used up.
INK ERROR CHECK INK CASSETTE	This message is displayed when an ink-related error has occurred.
PRINT ERROR HAS OCCURRED PRINTING ABORTED	This message is displayed when an error has occurred and the sheet that was being printed is ejected.
NO PAPER	This message is displayed when there is no paper in the paper tray.
PLEASE WAIT	This message is displayed until operation is cancelled, when the temperature rises or cancellation is requested.
PRINTER IS NOT CONNECTED	This message is displayed when an attempt is made to print while no printer is connected.
PICTURE WITH NO FRAME IS SELECTED SELECT PICTURE WITH FRAME	This message is displayed when "no frame" has been selected but the paper that is loaded does not permit the "no frame" specification.
TRANSMISSION ERROR	Communications error occurred between the camera and the printer.
SET PAPER TRAY	The paper tray has not been inserted.
REPLACE BATTERY	The battery is low on power.
PRINTER: SYSTEM ERROR	This message is displayed when printing cannot be performed.

Power source	: DC 5 V 
Power consumption	: 3.6 W (when the LCD screen is off) 4.8 W (when the LCD screen is on)
Dimensions	: 111 (W) mm x 67 (H) mm x 59 (D) mm (4-3/8" x 2-11/16" x 2-3/8") (except protruding parts)
Weight	: Approx. 290 g (0.64 lbs) (without a Memory card and battery)
Operating temperature	: 0°C to 40°C (32°F to 104°F)
Relative humidity	: 35% to 80%
Storage temperature	: -20°C to 50°C (-4°F to 122°F)
LCD screen	: 2.0 inch, polysilicon TFT (200,000 pixels)
Storage media	: SmartMedia™ 3.3V (up to 64MB)
CCD	: 3.34 million pixels (3.24 million valid pixels), 1/1.8" square pixels, primary color filter, interlace scan CCD
Focal distance	: 7.5 mm to 17.5 mm (equivalent to 37mm to 86 mm on a 35 mm still camera)
Lens	: 2.3X optical zoom lens
Video	: 160 pixels x 120 pixels, 20 seconds, JVC original format
Recording format	: Exif Ver. 2.1 (DCF compliant), TIFF (Uncompressed), DPOF-compatible
Sensitivity	: 80/160/320 (ISO compliant)
Iris value (F value)	: F2.8/3.8, 5.6, 8, 11
Exposure control	: Program AE, iris priority AE
Exposure compensation	: ±2EV (0.5EV steps)
Minimum subject distance	: Approx. 2 cm to 50 cm (in Macro mode)
Light measurement system	: Multi, spot
Flash	: Built-in, Auto/red-eye prevention/forced/disabled
Recommended distance for flash	: Approx. 2.5 m
Shutter speed	: Auto (Program AE: 1/8 seconds – 1/750 seconds, Iris priority AE: 2 seconds – 1/750 seconds)
White balance	: Auto/Manual ( ,  ,  , MWB, )
Focus	: Auto/Manual

Self timer	: 1 second, 8 seconds
Photo quality	: 3 modes (STANDARD/FINE/NO COMP.)
Number of storable photos (with an 8MB Memory card, STANDARD/FINE/NO COMP.)	: 2032 x 1536: approx. 10/8/0 1024 x 768: approx. 43/32/3 640 x 480: approx. 87/65/8
Battery	: Lithium ion battery
Printer connector	: Output for optional printer
VIDEO output connector	: Two-pole plug, 3.5 mm diameter (NTSC)
Digital output connector	: Mini-USB connector

AC Power Adapter/Charger AA-V37

Power requirement

U.S.A. and Canada	: AC 120 V \sim , 60 Hz
Other countries	: AC 110 V – 240 V \sim , 50 Hz/60 Hz

Power consumption : 14 W

Output

Charge	: DC 3.6 V \equiv , 0.77 A
Camera	: DC 5.0 V \equiv , 1.5 A

Operating temperature : 0°C to 40°C (32°F to 104°F)
[when charging: 10°C to 35°C (50°F to 95°F)]

Dimensions : 68 (W) mm x 38 (H) mm x 110 (D) mm
(2-11/16" x 1-1/2" x 4-3/8")

Weight : Approx. 230 g (0.51 lbs) (without a DC cord)

E. & O. E. Design and specifications subject to change without notice.

A

Adding Special Effects	57
Attaching the Hand strap	21
Attaching the Lens Cover	21

B

BEEP	68
------------	----

C

CAMERA SETTING Menu Screen	16
Changing the AF/AE Area	43
Charging the Battery	18
Collage Mode	45
Connecting the Camera to a Power Outlet	20
Connecting the Camera to a TV or HDTV ...	61

D

Deleting Pictures	56
Display Mode during Playback	54

E

Error Messages	94
Exposure Control	37

F

Film Copy Mode	49
Film Copying Adapter	49
Film Holder	49
Flash Shooting	33
Formatting a Memory Card	23
Full Auto Shooting	30

H

HDTV Mode	61
-----------------	----

I

Inputting the Calendar	60
Iris Setting	35

L

LCD Panel	14
LCD screen	15

M

Manual Focus	34
Memory card	22

N

Noise Reduction Mode	48
----------------------------	----

P

Pixel Shift Mode	46
Playing Back Still Pictures	31
Power dial	14
Presto! Mr. Photo Gold	85
Printing a Picture	63
Printing by DPOF Setting	65
Protecting Pictures	55

Q

Q. REVIEW	29
-----------------	----

S

Selecting the Picture Quality	29
Selecting the Picture Size	28
Selecting the Shooting Mode	26
Self Timer	32
Sensitivity Setting	40
SET UP Menu Screen	16
Setting the Date and Time	69
Shoot standby lamp	30
Shooting Continuous Photos	42
Shutter Button	24
Software Section for Macintosh®	78
Software Section for Windows®	70

U

USB Connection	71, 78
Using a Tripod	25

V

Video Playback	53
Video Shooting	52
Viewfinder	24

W

White Balance Adjustment	38
Wide Range Mode	47

Z

Zoom Shooting	27
---------------------	----

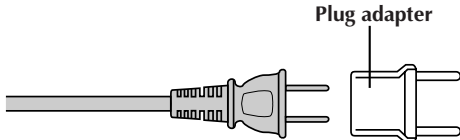
When using the AC Power Adapter in areas other than the USA

- The provided AC Power Adapter features automatic voltage selection in the AC range from 110 V to 240 V.

USING HOUSEHOLD AC PLUG ADAPTER

In case of connecting the unit's power cord to an AC wall outlet other than American National Standard C73 series type use an AC plug adapter, called a "Siemens Plug", as shown.

For this AC plug adapter, consult your nearest JVC dealer.



AC Power Adapter (Optional)

1. To prevent fire, electric shock or injury . . .

- **DO NOT** use the AC power adapter with any power source or voltage not supported.
- **DO NOT** modify or disassemble the AC power adapter. Never attempt to repair or check it yourself, as this is very dangerous. Consult your nearest JVC dealer for maintenance on the AC power adapter.
- **DO NOT** connect any power cord other than the one provided to the AC power adapter. If the power cord's performance or design is different, fire or electric shock may result.
- first connect the power cord to the AC power adapter. If the power cord is connected first to an AC outlet, and the AC power adapter's connector comes in contact with a metallic object, a short-circuit will occur which may result in fire or injury.

2. To prevent fire, malfunction or electric shock . . .

- **DO NOT** use any AC power adapter except the one specified with this digital still camera. If the AC adapter's performance or design is different than what the digital camera is designed for, fire, malfunction or electric shocks may result. Before using, thoroughly read the instructions of the digital still camera and the AC power adapter.

3. To avoid malfunction . . .

- connect the power cord to the AC power adapter securely. If the power cord is disconnected during use of the camera, shooting or playback may become impossible and the image data may become corrupt.

Built-in Rechargeable Battery

To store the date/time in memory, a rechargeable battery is integrated in the camera. As long as the camera is connected to an AC outlet using the AC power adapter, or the batteries installed in the camera continue to supply power to the camera, the built-in battery is always charged. However, if the camera is not used for approx. 3 months, the built-in battery will become discharged and the date/time stored in memory will be lost. When this occurs, connect the camera to an AC outlet using the AC power adapter for over 24 hours to charge the built-in rechargeable battery. Before using the camera again, set the date/time.

Note that it is possible to use the camera without setting the date/time.

Main Unit

1. For safety, DO NOT . . .

- open the camera's chassis.
- disassemble or modify the unit.
- allow inflammables, water or metallic objects to enter the unit.
- remove the batteries or disconnect the power supply while the power is on.

2. Avoid using the unit . . .

- in places subject to excessive humidity or dust.
- in places subject to soot or steam such as near a cooking stove.
- in places subject to excessive shock or vibration.
- near a television set.
- near appliances generating strong magnetic or electric fields (speakers, broadcasting antennas, etc.).
- in places subject to extremely high (over 40°C or 104°F) or extremely low (under 0°C or 32°F) temperatures.

3. DO NOT leave the unit . . .

- in places of over 50°C (122°F).
- in places where humidity is extremely low. (below 35%) or extremely high (above 80%).
- in direct sunlight.
- in a closed car in summer.
- near a heater.

4. To protect the unit, DO NOT . . .

- allow it to become wet.
- drop the unit or strike it against hard objects.
- subject it to shock or excessive vibration during transportation.
- keep the lens directed at extremely bright objects for long periods.
- carry it by holding the lens. Be sure to hold the main unit with both hands.
- swing it excessively when using the hand strap.

LCD Monitor

1. To prevent damage to the LCD monitor, DO NOT . . .

- push it strongly or apply any shocks.
- place the camera with the LCD monitor on the bottom.

2. To prolong service life . . .

- avoid rubbing it with coarse cloth.

3. Be aware of the following phenomena for LCD monitor use. These are not malfunctions . . .

- While using the camera, the surface around the LCD monitor and/or the back of the LCD monitor may heat up.
- If you leave power on for a long time, the surface around the LCD monitor becomes hot.

How To Handle A CD-ROM

- Take care not to soil or scratch the mirror surface (opposite to the printed surface). Do not write anything or put a sticker on either the front or back surface. If the CD-ROM gets dirty, gently wipe it with a soft cloth outward from the center hole using a circular motion.
- Do not use conventional disc cleaners or cleaning spray.
- Do not bend the CD-ROM or touch its mirror surface.
- Do not store your CD-ROM in a dusty, hot or humid environment. Keep it away from direct sunlight.

About moisture condensation . . .

- You may have observed that pouring a cold liquid into a glass will cause drops of water to form on the glass' outer surface. This same phenomenon occurs on the lens of the camera when it is moved from a cool place to a warm place, after heating a cold room, under extremely humid conditions or in a place directly subjected to the cool air from an air conditioner.

Change or modifications not approved by the party responsible for compliance could void the user's authority to operate the equipment. This equipment has been tested and found to comply with the limits for a Class B digital device, pursuant to Part 15 of the FCC Rules. These limits are designed to provide reasonable protection against harmful interference in a residential installation. This equipment generates, uses, and can radiate radio frequency energy and, if not installed and used in accordance with the instructions, may cause harmful interference to radio communications. However, there is no guarantee that interference will not occur in a particular installation. If this equipment does cause harmful interference to radio or television reception, which can be determined by turning the equipment off and on, the user is encouraged to try to correct the interference by one or more of the following measures:

- Reorient or relocate the receiving antenna.
- Increase the separation between the equipment and receiver.
- Connect the equipment into an outlet on a circuit different from that to which the receiver is connected.
- Consult the dealer or an experienced radio/TV technician for help.

This Class B digital apparatus complies with Canadian ICES-003.

Cet appareil numérique de la classe B est conforme à la norme NMB-003 du Canada.

Serious malfunctioning

If malfunctioning occurs, stop using the unit immediately and consult your local JVC dealer.

Declaration of Conformity

Model Number : GC-QX3HDU/
GC-QX5HDU
Trade Name : JVC
Responsible party : JVC Americas Corp.
Address : 1700 Valley Road
Wayne, N. J. 07470
Telephone Number : (973) 315-5000

This device complies with Part 15 of FCC Rules. Operation is subject to the following two conditions:

(1) This device may not cause harmful interference, and (2) this device must accept any interference received, including interference that may cause undesired operation.

HOW TO LOCATE YOUR JVC SERVICE CENTER**TOLL FREE: 1-800-252-5722****Dear customer:**

In order to receive the most satisfaction from your purchase, read the instruction booklet before operating the unit. In the event that repair is necessary, or for the address nearest your location, please refer to the factory service center list below or within the Continental United States, call 1-800-252-5722 for your authorized servicer. Remember to retain your Bill of Sale for Warranty Service.

— JVC

**JVC SERVICE & ENGINEERING
COMPANY OF AMERICA
DIVISION OF JVC AMERICAS CORP.**

FACTORY SERVICE CENTER LOCATIONS

10 New Maple Avenue
Pine Brook, NJ 07058-9641
(973) 396-1000

1500 Lakes Parkway
Lawrenceville, GA 30243-5857
(770) 339-2522

705 Enterprise Street
Aurora, IL 60504-8135
(630) 851-7855

5665 Corporate Avenue
Cypress, CA 90630-4727
(714) 229-8011

10700 Hammerly Blvd., Suite 110
Houston, TX 77043-2310
(713) 935-9331

2969 Mapunapuna Place, Suite 105
Honolulu, HI 96819-2000
(808) 833-5828

13 Cummings Park
Woburn, MA 01801-2105
(781) 376-9100

8192 West State Road 84
Davie, FL 33324-4611
(954) 472-1960

890 Dubuque Avenue
South San Francisco, CA 94080-1804
(415) 871-2666

Sophisticated electronic products may require occasional service. Just as quality is a keyword in the engineering and production of the wide array of JVC products, service is the key to maintaining the high level performance for which JVC is world famous. The JVC service and engineering organization stands behind our products.

NATIONAL HEADQUARTERS
JVC SERVICE & ENGINEERING COMPANY OF AMERICA
DIVISION OF JVC AMERICAS CORP.
10 New Maple Avenue
Pine Brook, NJ 07058-9641

If you ship the product...

Pack your JVC unit in the original carton or one of equivalent size and strength. Enclose, with the unit, a letter stating the problem or symptom that exists and also a copy of the receipt or bill of sale you received when you purchased your JVC unit. Print your home return address on the outside and the inside of the carton. Send to the appropriate JVC Factory Service Center as listed above.

ACCESSORIES

To purchase accessories for your JVC product, you may contact your local JVC Dealer.
Or from the 48 Continental United States call toll free:
1-800-882-2345.

Don't service it yourself.**CAUTION**

To prevent electrical shock, do not open the cabinet. No user serviceable parts inside.
Refer servicing to qualified service personnel.

LIMITED WARRANTY**CONSUMER VIDEO 1-90**

JVC COMPANY OF AMERICA warrants this product and all parts thereof, except as set forth below ONLY TO THE ORIGINAL PURCHASER AT RETAIL to be FREE FROM DEFECTIVE MATERIALS AND WORKMANSHIP from the date of original retail purchase for the period as shown below. ("The Warranty Period")

PARTS	1 YR	LABOR	90 DAYS
-------	-------------	-------	----------------

THIS LIMITED WARRANTY IS VALID ONLY IN THE FIFTY (50) UNITED STATES, THE DISTRICT OF COLUMBIA AND IN COMMONWEALTH OF PUERTO RICO.

WHAT WE WILL DO:

If this product is found to be defective, JVC will repair or replace defective parts at no charge to the original owner. Such repair and replacement services shall be rendered by JVC during normal business hours at JVC authorized service centers. Parts used for replacement are warranted only for the remainder of the Warranty Period. All products and parts thereof may be brought to a JVC authorized service center on a carry-in basis except for Television sets having a screen size 25 inches and above which are covered on an in-home basis.

WHAT YOU MUST DO FOR WARRANTY SERVICE:

Return your product to a JVC authorized service center with a copy of your bill of sale. For your nearest JVC authorized service center, please call toll free: (800) 252-5722.

If service is not available locally, box the product carefully, preferably in the original carton, and ship, insured, with a copy of your bill of sale plus a letter of explanation of the problem to the nearest JVC Factory Service Center, the name and location of which will be given to you by the toll-free number.

If you have any questions concerning your JVC Product, please contact our Customer Relations Department.

WHAT IS NOT COVERED:

This limited warranty provided by JVC does not cover:

1. Products which have been subject to abuse, accident, alteration, modification, tampering, negligence, misuse, faulty installation, lack of reasonable care, or if repaired or serviced by anyone other than a service facility authorized by JVC to render such service, or if affixed to any attachment not provided with the products, or if the model or serial number has been altered, tampered with, defaced or removed;
2. Initial installation and installation and removal for repair;
3. Operational adjustments covered in the Owner's Manual, normal maintenance, video and audio head cleaning;
4. Damage that occurs in shipment, due to act of God, and cosmetic damage;
5. Signal reception problems and failures due to line power surge;
6. Video Pick-up Tubes/CCD Image Sensor, Cartridge, Stylus (Needle) are covered for 90 days from the date of purchase;
7. Accessories;
8. Batteries (except that Rechargeable Batteries are covered for 90 days from the date of purchase);from the date of purchase);

There are no other express warranties except as listed above.

THE DURATION OF ANY IMPLIED WARRANTIES INCLUDING THE IMPLIED WARRANTY OF MERCHANTABILITY, IS LIMITED TO THE DURATION OF THE EXPRESS WARRANTY HEREIN.

JVC SHALL NOT BE LIABLE FOR THE LOSS OF USE OF THE PRODUCT, INCONVENIENCE, LOSS OR ANY OTHER DAMAGES, WHETHER DIRECT, INCIDENTAL OR CONSEQUENTIAL (INCLUDING, WITHOUT LIMITATION, DAMAGE TO TAPES, RECORDS OR DISCS) RESULTING FROM THE USE OF THIS PRODUCT, OR ARISING OUT OF ANY BREACH OF THIS WARRANTY. ALL EXPRESS AND IMPLIED WARRANTIES, INCLUDING THE WARRANTIES OF MERCHANTABILITY AND FITNESS FOR PARTICULAR PURPOSE, ARE LIMITED TO THE WARRANTY PERIOD SET FORTH ABOVE.

Some states do not allow the exclusion of incidental or consequential damages or limitations on how long an implied warranty lasts, so these limitations or exclusions may not apply to you. This warranty gives you specific legal rights and you may also have other rights which vary from state to state.

JVC COMPANY OF AMERICA
DIVISION OF JVC AMERICAS CORP.

1700 Valley Road
Wayne, NJ 07470

REFURBISHED PRODUCTS CARRY A SEPARATE WARRANTY, THIS WARRANTY DOES NOT APPLY. FOR DETAILS OF REFURBISHED PRODUCT WARRANTY, PLEASE REFER TO THE REFURBISHED PRODUCT WARRANTY INFORMATION PACKAGED WITH EACH REFURBISHED PRODUCT.

For customer use:

Enter below the Model No. and Serial No. which is located either on the rear, bottom or side of the cabinet. Retain this information for future reference.

Model No.: _____**Serial No.:** _____**Purchase date:** _____**Name of dealer:** _____

GC-0X3HD/
GC-0X5HD

JVC
VICTOR COMPANY OF JAPAN, LIMITED