

**AH100**

**Laney**  
POWER TO THE MUSIC

***USER MANUAL***

## IMPORTANT SAFETY INSTRUCTIONS

**WARNING:** When using electric products, basic cautions should always be followed, including the following.

1. Read all safety and operating instructions before using this product
2. The product should be powered by a three pin grounded (or earthed) plug connected to a power socket with a grounded earth outlet.
3. All safety and operating instructions should be retained for future reference
4. Obey all cautions in the Operating instructions and on the back of the unit
5. All operating instructions should be followed
6. This product should not be used near water, i.e. a bathtub, sink, swimming pool, wet basement, etc.
7. This product should be located so that its position does not interfere with its proper ventilation. It should not be placed flat against a wall or placed in a built up enclosure that will impede the flow of cooling air.
8. This product should not be placed near a source of heat such as stove, radiator, or another heat producing amplifier.
9. Connect only to a power supply of the type marker on the unit adjacent to the power supply cord.
10. Never break off the ground pin on a power supply cord.
11. Power supply cords should always be handled carefully. Never walk or place equipment on power supply cords. Periodically check cords for cuts or signs of stress, especially at the plug and the point where the chord exits the unit.
12. The power supply cord should be unplugged when the unit is to be unused for long periods of time.
13. If this product is to be mounted in an equipment rack, rear support should be provided.
14. The user should allow easy access to any mains plug, mains coupler and mains switch used in conjunction with this unit thus making it readily operable.
15. Metal parts can be cleaned with a damp cloth. The vinyl covering used on some units can be cleaned with a damp cloth or ammonia based household cleaner if necessary. Disconnect the unit from the power supply before cleaning.
16. Care should be taken so that objects do not fall and liquids are not spilled into the unit through any ventilation holes or openings. On no account place drinks on the unit.
17. A qualified service technician should check the unit if:
  - The power cord has been damaged
  - Anything has fallen or spilled into the unit
  - The unit does not appear to operate correctly
  - The unit has been dropped or the enclosure damaged.
18. The user should not attempt to service the equipment. All service work is done by a qualified service technician.
19. Exposure to extremely high noise levels may cause a permanent hearing loss. Individuals vary considerably in susceptibility to noise induced hearing loss, but nearly everyone will lose some hearing if exposed to sufficiently intense noise for a sufficient time. The U.S. Government's Occupational Safety and Health Administration (OSHA) has specified the following permissible noise level exposure.

Duration Per Day In Hours	Sound Level dBA, slow response
8	90
6	92
4	95
3	97
2	100
1 ½	102
1	105
½	110
¼ or less	115

According to OSHA, any exposure in excess of the above permissible limits could result in some hearing loss. Ear plugs or protectors in the ear canals or over the ears must be worn when operating this amplification system in order to prevent a permanent hearing loss if exposure exceeds the limits set forth above. To ensure against potentially dangerous exposure to high sound pressure levels it is recommended that all persons exposed to equipment capable of producing high sound pressure levels such as this amplification system be protected by hearing protectors while this unit is in operation.

SAVE THESE INSTRUCTIONS



Intended to alert the user to the presence of uninsulated "dangerous voltage" within the product's enclosure that may be of sufficient to constitute a risk of electrical shock to persons



Intended to alert the user of the presence of important operating and maintenance (servicing) instructions in the literature accompanying the product

**CAUTION:** Risk of electrical shock - DO NOT OPEN

**CAUTION:** To reduce the risk of electrical shock, do not remove the cover. No user serviceable parts inside. Refer servicing to qualified service personnel.

**WARNING:** To prevent electrical shock or fire hazard, do not expose this appliance to rain or moisture. Before using this appliance please read the operating instructions for further warnings



Este simbolo tiene el proposito de alertar al usuario de la presencia de "voltaje peligroso" que no tiene aislamiento dentro de la caja del producto que puede tener una magnitud suficiente como para constituir riesgo de corrientazo



Este simbolo tiene el proposito de alertar al usuario de la presencia de instrucciones importantes sobre la operacion y mantenimiento en la literatura que viene con el producto

**PRECAUCION:** Riesgo de corrientazo - no abra

**PRECAUCION:** Para disminuir el riesgo de corrientazo, no abra la cubierta. No hay piezas adentro que el pueda reparar. Deje todo mantenimiento a los tecnicos calificados

**ADVERTENCIA:** Para evitar corrientazos o peligro de incendio, no deja expuesto a la lluvia o humedad este aparato. Antes de usar este aparato, lea las advertencias en la guía de operacion



Ce symbole est utilise pur indiquer a l'utilisateur de ce produit de tension non-isolee dangereuse pouvant etre d'intensite suffisante pour constituer un risque de choc electrique.



Ce symbole est utilise pour indiquer a l'utilisateur qu'il ou qu'elle trouvera d'importantes instructions sur l'utilisation et l'entretien (service) de l'appareil dans la litterature accompagnant le produit

**ATTENTION:** Risques de choc electrique - NE PAS OUVIRIR

**ATTENTION:** Afin de reduire le risque de choc electrique, ne pas enlever le couvercle. Il ne se trouve a l'interieur aucune piece pouvant etre reegree par l'utilisateur. Confier l'entretien a un personnel qualifie.

**AVERTISSEMENT:** Afin de prevenir les risques de decharge electrique ou de feu, n'exposez pas cet appareil a la pluie ou a l'humidite. Avant d'utiliser cet appareil, lisez les avertissements supplementaires situes dans le guide.



Dieses Symbol soll den Anwender vor unisolierten gefahrlichen Spannungen innerhalb des Gehauses warnen, die von Ausreichender Starke sind, um einen elektrischen Schlag verursachen zu kommen.



Dieses Symbol soll den Benutzer auf wichtige Instruktionen in der Bedienungsanleitung aufmerksam machen, die Handhabung und Wartung des Produkts betreffen.

**VORSICHT:** Risiko - Elektrischer Schlag! Nicht offen!

**VORSICHT:** Um das Risiko eines elektrischen Schläges zu vermeiden, nicht die Abdeckung entfernen. Es befinden sich keine Teile darin, die vom Anwender repariert werden könnten. Reparaturen nur von qualifiziertem Fachpersonal durchführen lassen

**ACHTUNG** Um einen elektrischen Schlag oder Feuergefahr zu vermeiden, sollte dieses Gerat nicht dem Regen oder Feuchtigkeit ausgesetzt werden. Vor Inbetriebnahme unbedingt die Bedienungsanleitung lesen.

### BEFORE SWITCHING ON

After unpacking your amplifier check that it is factory fitted with a three pin 'grounded' (or earthed) plug. Before plugging into the power supply ensure you are connecting to a grounded earth outlet.

If you should wish to change the factory fitted plug yourself, ensure that the wiring convention applicable to the country where the amplifier is to be used is strictly conformed to. As an example in the United Kingdom the cable colour code for connections are as follows.

EARTH OR GROUND - GREEN/YELLOW  
NEUTRAL - BLUE  
LIVE - BROWN



### NOTE

This manual has been written for easy access of information. The front and rear panels are graphically illustrated, with each control and feature numbered. For a description of the function of each control feature, simply check the number with the explanations adjacent to each panel.

Your Laney amplifier has undergone a thorough two stage, pre-delivery inspection, involving actual play testing.

When you first receive your Laney AudioHub amplifier, follow these simple procedures:

- (i) Ensure that the amplifier is the correct voltage for the country it is to be used in.
- ii) Connect your instrument with a high quality shielded instrument cable. You have probably spent considerable money on your amplifier and guitar - don't use poor quality cable it won't do your gear justice.

Please retain your original carton and packaging so in the unlikely event that some time in the future your amplifier should require servicing you will be able to return it to your dealer securely packed.

Care of your Laney amplifier will prolong it's life.....and yours!

Dear Player,

Thank you very much for purchasing your new Laney product and becoming part of the worldwide Laney family. Each and every Laney unit is designed and built with the utmost attention to care and detail, so I trust yours will give you many years of enjoyment.

Laney products have a heritage which stretches back to 1967 when I first began building valve amplifiers in my parent's garage. Since then we have moved on from strength to strength developing an extensive range of guitar, bass, public address and keyboard amplification products along with a list of Laney endorsees that includes some of the world's most famous and respected musicians. At the same time we believe we have not lost sight of the reason Laney was founded in the first place - a dedication to building great sounding amplification for working musicians.

Warm Regards,



Lyndon Laney CEO



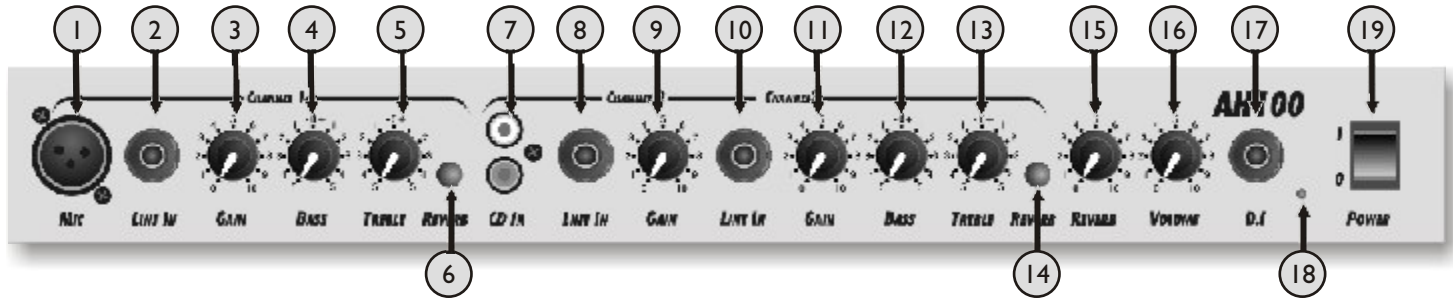
## INTRODUCTION

The AH100 is a compact 65W PA Workstation combo in a kickback style cabinet with a reflex loaded 12" loudspeaker + a high frequency horn. Here at Laney we have dubbed it an AudioHUB. It features three separate channels, a built in reverb with level control and footswitch option, a headphone socket for private listening and a DI allowing you to connect to a PA or recording device. Channel 1 has Mic and Line in sockets, a 3 band EQ and assignable reverb. Channel 2 features CD and Line in sockets and Channel 3 features another line in socket. Channels 2 and 3 share another 3 band EQ and assignable reverb.

An explanation of these features follows on pages 6-8.

Definitions of Audio: A term used to describe sounds within the range of human hearing (20 Hz to 20 kHz) Also used to describe devices which are designed to operate within this range.

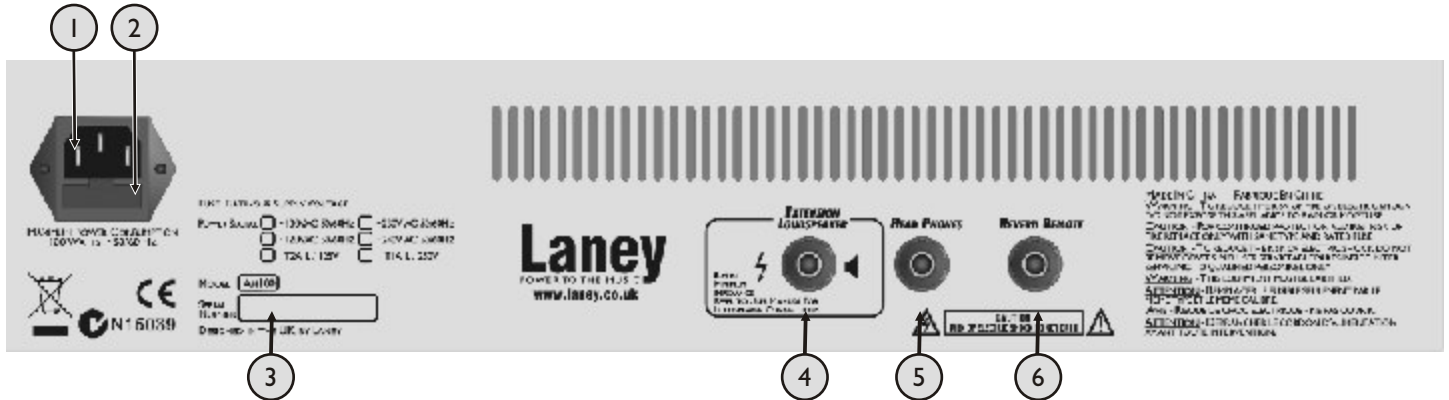
Definition of Hub: Definition of hub: Hub is a place of convergence where data arrives from one or more directions and is forwarded out in one or more other directions.



### FRONT PANEL CONTROLS

- 1 The Mic input is designed for low impedance microphones, it is a balanced XLR socket so will work equally well with microphones that are balanced or unbalanced. Level controlled by ③
- 2 The Line In socket is designed for line level signals such as those obtained from keyboards, sound modules and sounds cards. Level controlled by ③ Both mic and line in sockets may be used at the same time.
- 3 This gain control allows you to adjust the audio level of instruments connected to the Channel I Mic and Line In sockets.
- 4 Bass control for channel I, Low/Bass frequencies can be boosted or cut by this control . Sources that fall in this range are bass guitar, kick drums, deep vocals and keys below middle C on a keyboard.
- 5 Treble control for channel I, High/Treble frequencies can be boosted or cut by this control. Sources that fall in this range are cymbals, soprano vocals and keys above top C on a keyboard.
- 6 Switch in to assign reverb signal to channel I, the overall reverb level is controlled by ⑭
- 7 RCA Phono socket for the connection of line level equipment like CD Players etc. Level controlled by ⑩
- 8 1/4" Jack socket designed to accept any line level signals from equipment such as keyboards, sound modules, CD/MP3 players and sounds cards. Level controlled by ⑩ Both CD and line in sockets may be used at the same time.

- 9 This gain control allow you to adjust the level of instruments connected to the Channel 2 CD In and Line In sockets.
- 10 1/4" Jack socket designed to accept any line level signals from equipment such as keyboards, sound modules, CD/MP3 players and sounds cards. Level controlled by 11
- 11 This gain control allow you to adjust the level of instruments connected to the Channel 3 Line In socket.
- 12 Bass control for Channel 2 and 3, Low/Bass frequencies can be boosted or cut by this control such as bass guitar, kick drums, deep vocals and keys below middle C on a keyboard.
- 13 Treble control for Channel 2 and 3, High/Treble frequencies can be boosted or cut by this control. Sources that fall in this range are cymbals, soprano vocals and keys above top C on a keyboard. Switch in to assign reverb signal to this channel.
- 14 Switch in to assign reverb signal to channels 2 and 3, the overall reverb level is controlled by 15
- 15 The AH100 has a built in spring line reverb, the level of reverb effect is determined by this control. It will have no effect until you assign reverb to a channel with either 13 or 14
- 16 Control the overall sound level from the amplifier.
- 17 This socket provides a balanced low-impedance output-signal from the pre-amplifier taken before the Master Volume but after any tone correction, used for direct-injection of the amplifier signal to a mixing-desk or additional power-amplifier.
- 18 Indicates power is connected and the amplifier is switched on.  
**(Always switch off and disconnect power cord when not in use)**
- 19 Main power on/off switch.



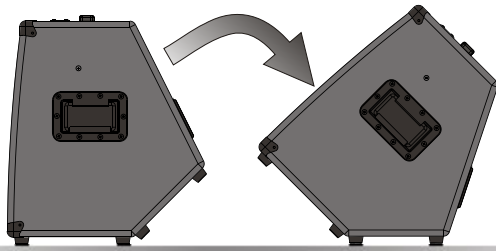
### FRONT PANEL CONTROLS

- 1** Power inlet socket. Connect to your power source. Make sure the specified voltage is correct for your country!
- 2** This drawer contains the main safety fuse for the unit.  
**USE ONLY THE CORRECT SIZE AND RATING OF FUSE AS SPECIFIED ON THE PANEL.**  
The mains fuse ratings are detailed in the specs section at the rear of this manual.
- 3** Serial Number and model of your unit.
- 4** This socket(s) should be used to connect an extension-cabinet. The impedance of the extension-cabinet must not be less than 8 Ohms. Connecting cabinets that have a lower impedance than 8 Ohms will result in the amplifier overheating. Continual use in this manner may cause permanent damage. Connecting a cabinet with an impedance of greater than 8 Ohms will cause no damage to the amplifier but will result in a reduced output level. (When using an extension cabinet the internal speaker remains connected)
- 5** This is for the connection of headphones for private listening, connecting headphones here disconnects the internal loudspeaker.
- 6** By connecting a Laney FSI footswitch (Not included) here you can remotely switch the reverb on / off. This is a useful facility as it allows you to switch the reverb off between songs during a gig.

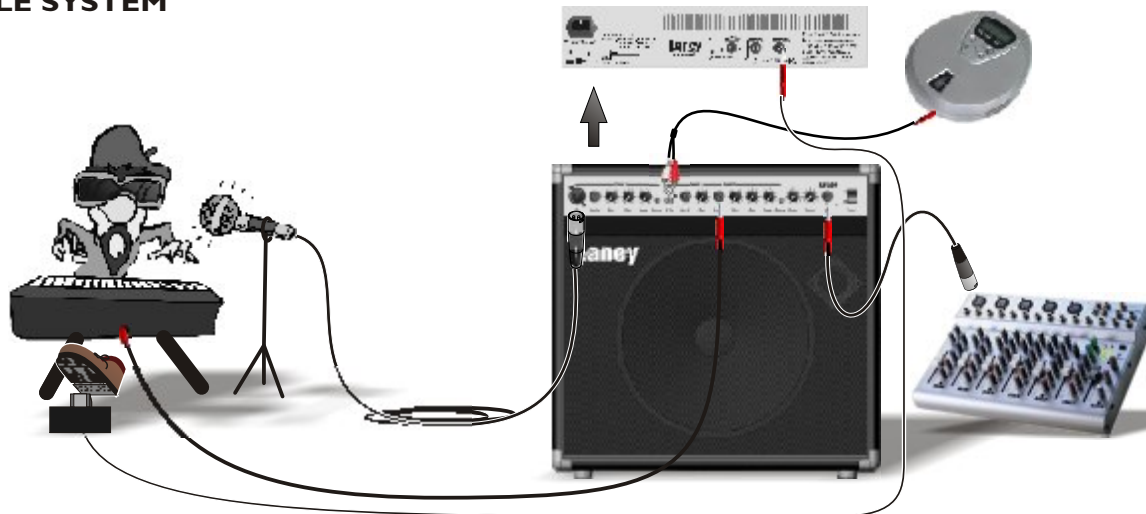


### OTHER FEATURES

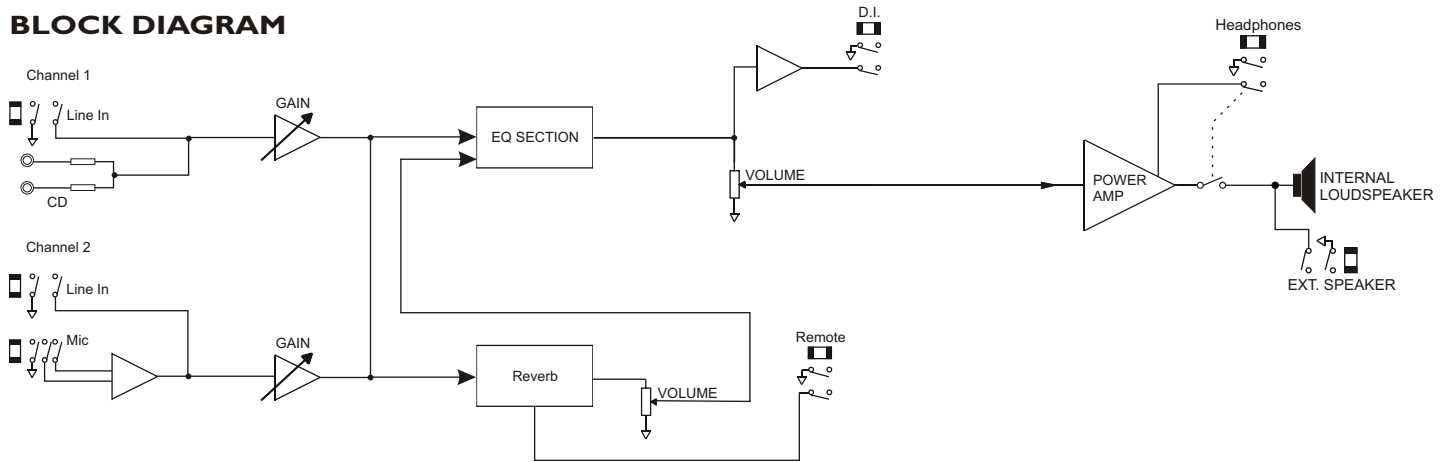
Your AH100 features a kick style design to enable you to use it as a stage monitor, or a conventional straight combo.



### SAMPLE SYSTEM



### BLOCK DIAGRAM



### General Notes

**Amplifier connection:** In order to avoid damage, it is advisable to establish and follow a pattern for turning on and off your equipment. With all system parts connected, turn on source equipment, tape decks, cd players, mixers, effects processors etc. BEFORE turning on your AUDIOHUB. Many products have large transient surges at turn on and off which can cause damage to your speakers. By turning on your AUDIOHUB LAST and making sure its Volume control is set to minimum any transients from other equipment will not reach your loudspeakers. Wait until all system parts have stabilised; usually a couple of seconds. Similarly when turning off your system always turn down the Volume control on your AUDIOHUB and then turn off its power before turning off other equipment.

**Caution:** These professional loudspeaker systems are capable of generating very high sound pressure levels. Use care with placement and operation to avoid exposure to excessive levels that can cause permanent hearing damage. (Refer to guidelines on page 2)

**Servicing:** The user should not attempt to service these products. Refer all servicing to qualified service personnel.

### SPECIFICATIONS

Supply Voltage	~100V, ~120V, ~220V, ~230V, ~240V 50/60Hz Factory Option	
Mains Fuse	~230V = T1A L. ~100-120V = T2A L (Time delay)	
Power Consumption	100W	
Output Power	65W	
THD%N	<0.03%	
Channel 1 Inputs	Microphone	2K input impedance, -30dBu Nominal input level
	Line In	10K Input impedance, -15dBu nominal input level
Channel 2 Inputs	CD In	22K Input impedance, -10dBu nominal input level
	Line In	10K Input impedance, -15dBu nominal input level
Channel 3 Inputs	Line In	10K Input impedance, -15dBu nominal input level
Channel 1 EQ	Bass	(±15dBu at 60 Hz) (Shelving)
	Treble	(±15dBu at 10 KHz) (Shelving)
Channel 2 + 3 EQ (Shared)	Bass	(±15dBu at 60 Hz) (Shelving)
	Treble	(±15dBu at 10 KHz) (Shelving)
Reverb	Yes	(Spring line, Remotely switchable)
Ext Loudspeaker	Yes	(Minimum impedance 8 ohms) (Internal left connected)
Internal loudspeaker	12" + High frequency horn	
DI / Main out	Yes	(10dBu Nominal Level Balanced)
Headphone Socket	Yes	
Size	484*495*425	(H*W*D)
Unit weight	18.9 Kg	
Packing weight	20.2 Kg	

This product conforms to:  
European EMC directive(2004/108/EC), Low Voltage Directive (72/23/EEC) and CE mark Directive (93/68/EEC)

# Laney

POWER TO THE MUSIC



@

[www.laney.co.uk](http://www.laney.co.uk)

In the interest of continued product development, Laney reserves the right to amend product specification without prior notification.