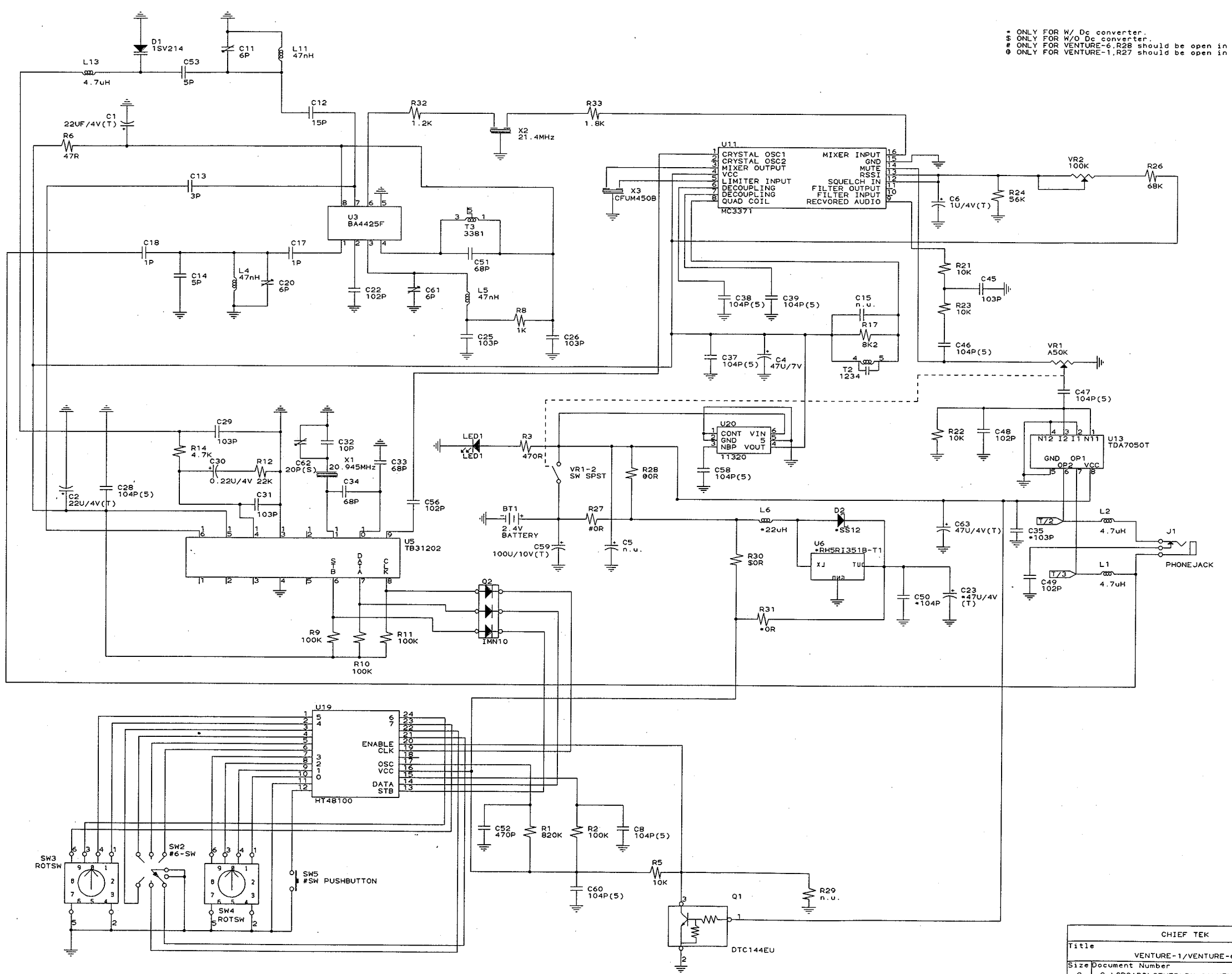


* ONLY FOR W/ Dc converter.
 \$ ONLY FOR W/O Dc converter.
 # ONLY FOR VENTURE-6, R28 should be open in VENTURE-6.
 @ ONLY FOR VENTURE-1, R27 should be open in VENTURE-1.



CHIEF TEK		
Title	VENTURE-1/VENTURE-6	
Size Document Number	REV	
C	C:\ORCAD3\OTHER\RX-6A\VENTURE.SCH	1
Date:	January 27, 2000	Sheet 1 of 1