

FEC

QUALITY MOUNTING SOLUTIONS

FEC MODEL F-PL-C60 UNIVERSAL LCD/PLASMA POLE CEILING MOUNT

INCLUDES



UNIVERSAL DISPLAY ADAPTOR



POLE MOUNT ADAPTOR

- HEAVY DUTY PLASMA/LCD POLE MOUNT to 175Lbs.
- TILT ADJUSTABLE TO 60 degrees.
- PLASMA/LCD DISPLAY SIZES 32-60".
- F-PL-C60 INCLUDES UNIVERSAL DISPLAY ADAPTOR AND POLE ADAPTOR MOUNT TO FIT A STANDARD 1.5" POLE.
- FEC OFFERS OPTIONAL (SEE BELOW) PLMT-T-1.5 HEAVY DUTY CEILING PLATE TO ATTACH POLE TO STRUCTURAL CEILING.

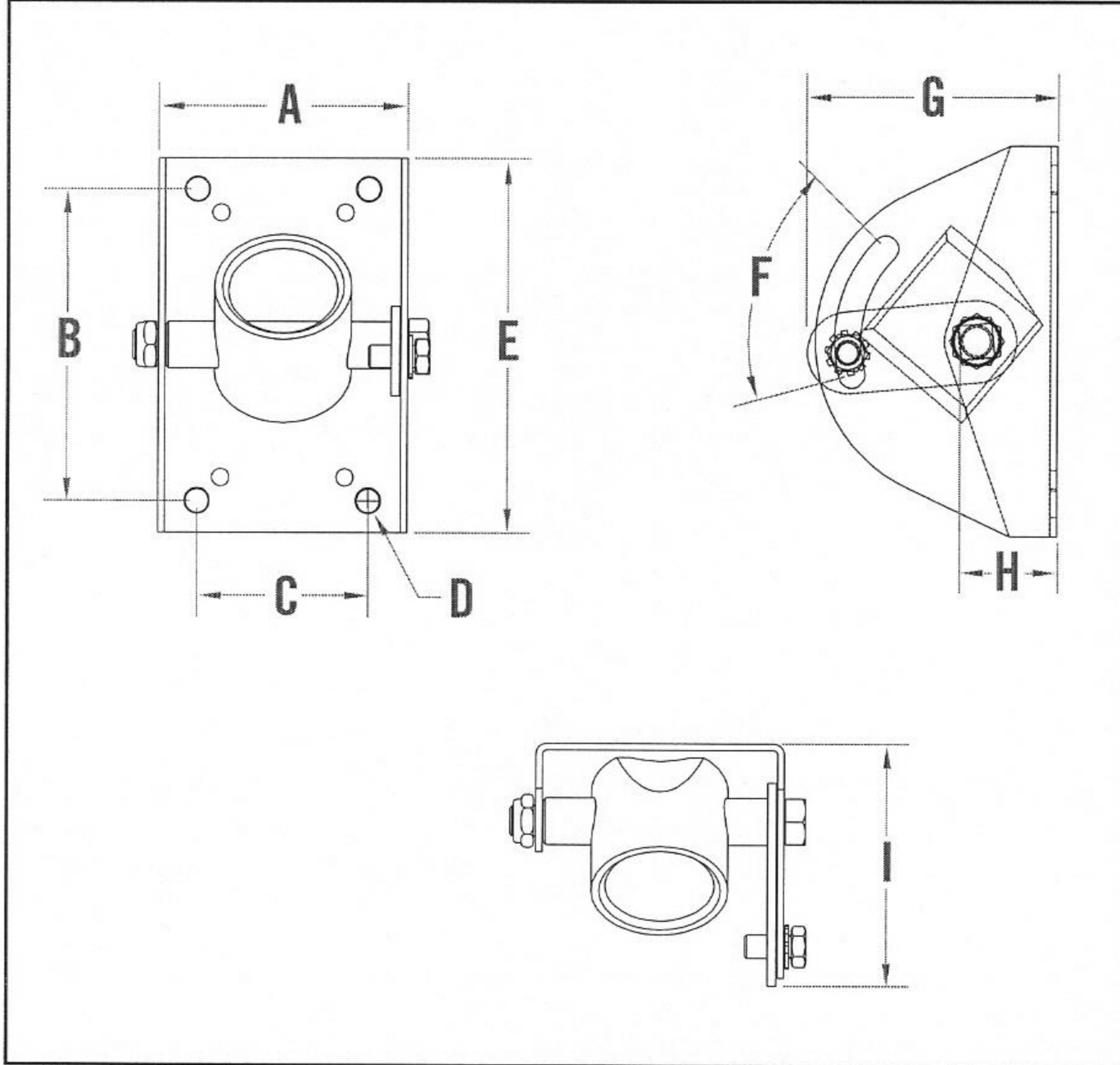


PLMT-T-1.5 CEILING PLATE

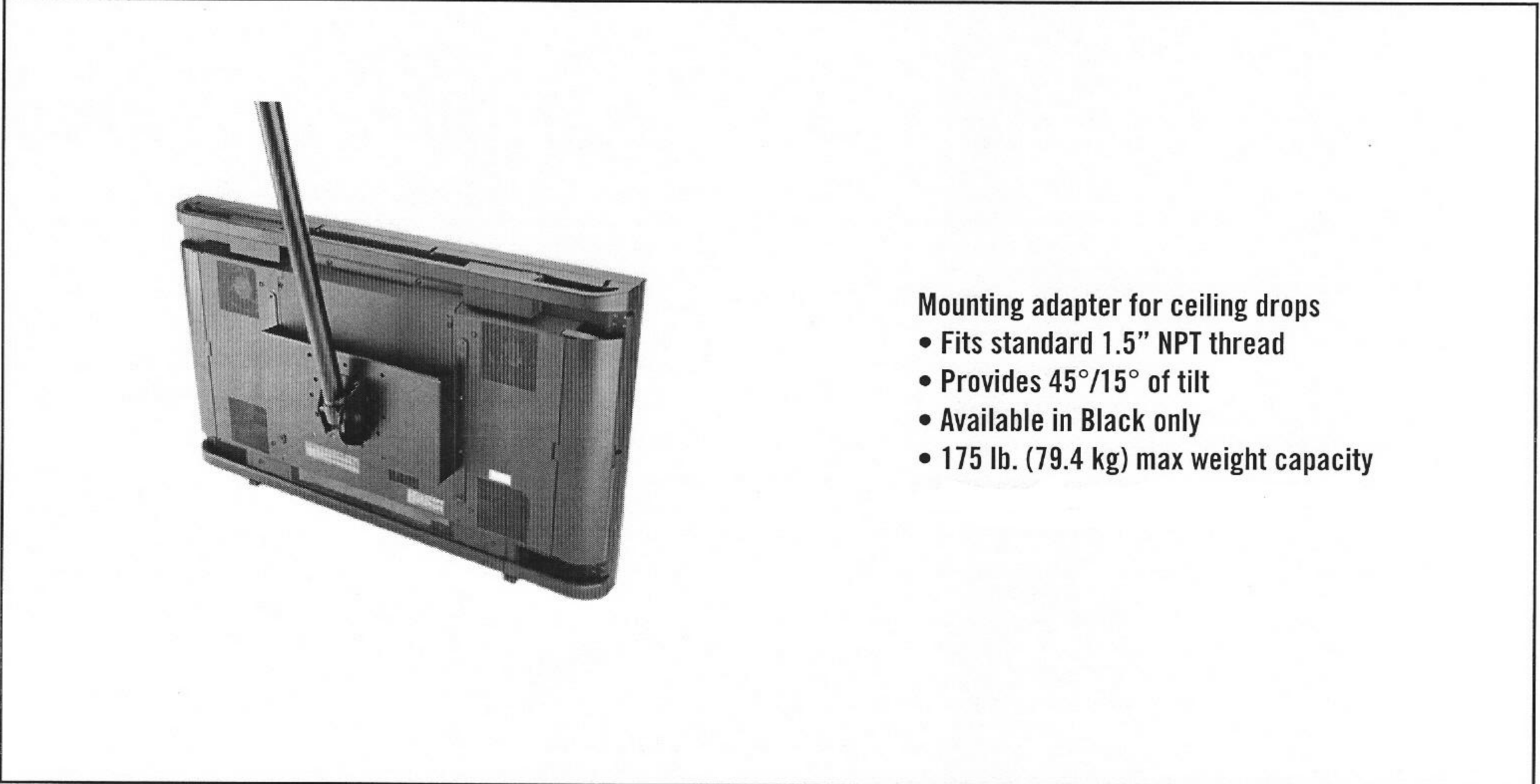
FEC

TEL 516-593-9565 FAX 516-593-9562 EMAIL doug@fecmountworld.com

**MODEL F-PL-C60 LARGE
LCD/PLASMA DISPLAY
CEILING MOUNT
KIT ALSO INCLUDES
F48UAMD PLATE
FOR LCD PLASMA DISPLAYS TO 175lbs**

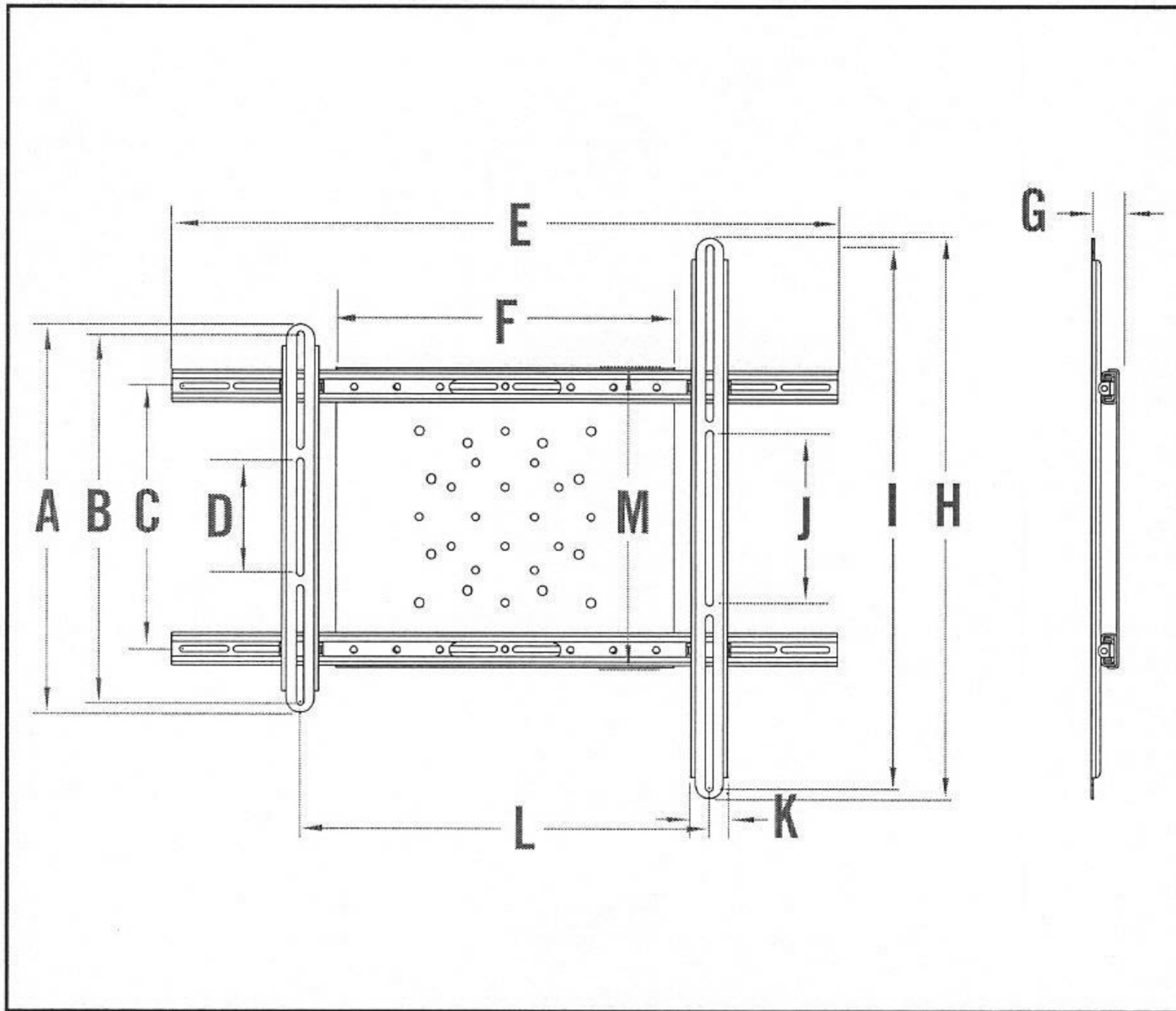


TECHNICAL SPECIFICATIONS		
A	4.00"	101.60mm
B	5.00"	127.00mm
C	2.75"	69.85mm
D	0.38"	9.53mm
E	6.00"	152.40mm
F	60°	60°
G	3.75"	95.25mm
H	1.21"	30.73mm
I	4.00"	101.60mm

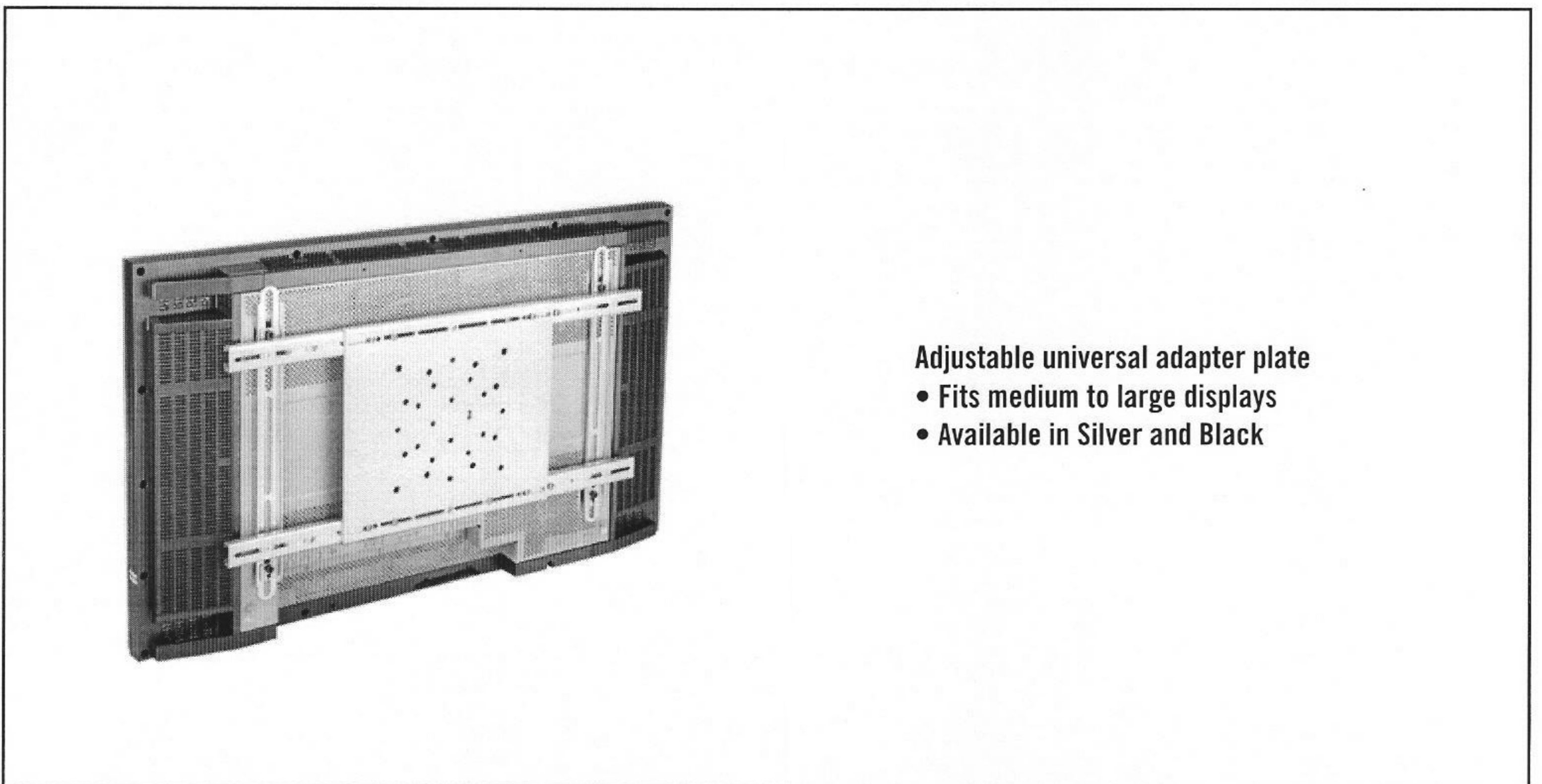


- Mounting adapter for ceiling drops**
- Fits standard 1.5" NPT thread
 - Provides 45°/15° of tilt
 - Available in Black only
 - 175 lb. (79.4 kg) max weight capacity

UNIVERSAL ADJUSTABLE ADAPTER
 PART OF FLW-48AMD AND F-PL-C60 KITS
 OPTIONAL FOR FLW-37AMD KIT



TECHNICAL SPECIFICATIONS		
A	18.00"	457.20mm
B	17.12"	434.85mm
C	12.38"	314.33mm
D	5.25"	133.35mm
E	31.00"	787.40mm
F	15.75"	400.05mm
G	1.30"	33.02mm
H	26.00"	660.40mm
I	25.13"	638.18mm
J	7.80"	198.12mm
K	1.71"	43.43mm
L	2.50-38.00"	63.50-965.90mm
M	14.13"	385.90mm



Adjustable universal adapter plate

- Fits medium to large displays
- Available in Silver and Black