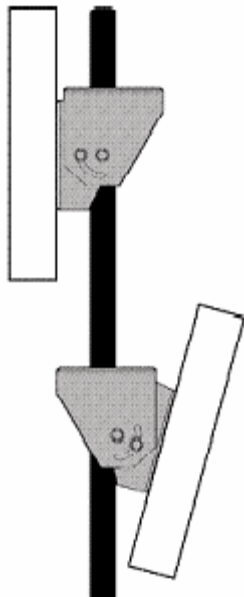


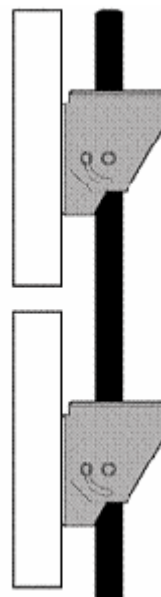
FEC

QUALITY MOUNTING SOLUTIONS

F-LCD-STACKER



LCD MONITORS ON DIFFERENT SIDES



LCD MONITORS ON SAME SIDE OF POLE

F-LCD-STACKER

- THE MOST LCD DISPLAY OPTIONS ON 1 POLE. POLE NOT INCLUDED
- MULTIPLE LCD PANELS MAY BE "STACKED" ON THE SAME POLE
- LCD DISPLAYS MAY FACE ANY DIRECTION
- LCD PANELS MAY EACH HAVE DIFFERENT TILT SETTINGS
- WORKS WITH ANY LCD DISPLAY WITH 75mm/100mm VESA
- 2 LCD PANELS UP TO 30Lbs ea MAY BE HUNG WITH THE OPTIONAL PLMT-LD-1.5 CEILING PLATE. UP TO 4 LCD PANELS UP TO 30Lbs ea MAY BE HUNG WITH THE OPTIONAL PLMT-T-1.5 HEAVY DUTY PLATE.



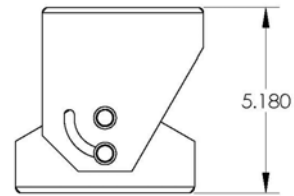
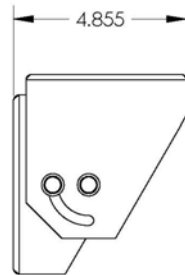
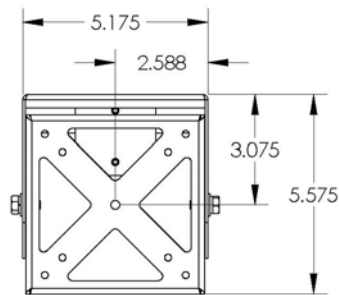
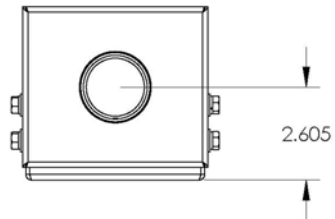
PLMT-LD-1.5 CEILING MOUNT
FOR UP TO 2 LCD DISPLAYS



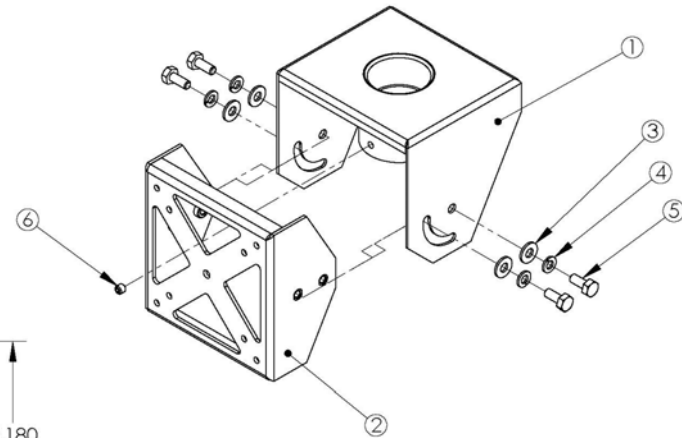
PLMT-T-1.5 CEILING MOUNT
FOR UP TO 4 LCD DISPLAYS

FEC

TEL 516-593-9565 FAX 516-593-9562 EMAIL doug@fecmountworld.com

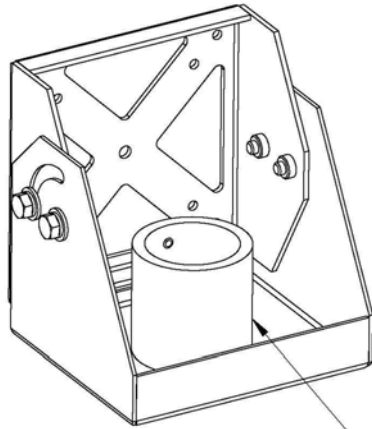


SHOWN ROTATED
DOWN 90°



ITEM NO	QTY	PART NO	DESCRIPTION
1	1	65-557	VESA SWIVEL DOUBLE 1.5" POLE MNT WELD
2	1	65-547	VESA SWIVEL SCREEN MOUNT
3	4	5950-12200	1/4, FL WASHER, STL, ZI
4	4	5950-15700	1/4, LK WASHER, STL, ZI
5	4	5900-42080	1/4-20 X 5/8, HHCS, HX, GR5, ZI
6	2	5900-2045	1/4-20 X 1/4, SS, KNURLED, STL, BO

FEC QUALITY MOUNTING SOLUTIONS		FEC P.O. BOX 266 ALBERTSON, NY 11507	
THE INFORMATION CONTAINED IN THIS DRAWING IS THE PROPERTY OF FEC. ANY REPRODUCTION IN PART OR WHOLE WITHOUT THE WRITTEN PERMISSION OF FEC IS PROHIBITED		UNLESS OTHERWISE SPECIFIED DIMENSIONS ARE IN INCHES. TOLERANCES: .XX = ± .02 .XXX = ± .010 .XXXX = ± .0050 ANGLE = ± 0.5	
DRAWN RLS	DATE 5/11/2005	REV B	DRAWING NO. 65-556
CHECKED	DATE	SCALE NONE	FILE NAME 65-556.SLDDRW
MATERIAL NONE	PART SEE WORK ORDER	REV AX1	SHEET 2 of 2



DOUBLE COUPLER.
 1.5" POLE CAN BE INSERTED
 FROM BOTH SIDES. POLES BOTTOM
 AGAINST SHOULDER IN COUPLER.

FEC <small>QUALITY MOUNTING SOLUTIONS</small>		<small>UNLESS OTHERWISE SPECIFIED DIMENSIONS ARE IN INCHES.</small> <small>TOLERANCES:</small> .XX = ± .02 .XXX = ± .010 .XXX = ± .0050 ANGLE = ± 0.5		FEC F-LCD-STACKER MULTIPLE LCD POLE MOUNT	
				F-LCD-STACKER	
<small>DRAWN</small> RLS	<small>DATE</small> 5/11/2005	<small>SIZE</small> B	<small>DRAWING NO.</small> 65-556	<small>REV</small> AX1	
<small>CHECKED</small> 	<small>DATE</small> 	<small>SCALE</small> NONE	<small>FILE NAME</small> 65-556.SLDDRW	<small>SHEET 1 of 2</small>	
<small>MATERIAL</small> NONE		<small>FRSH</small> SEE WORK ORDER			