

FEC

Quality Mounting Solutions

F-LCD-CTP1

Single LCD Monitor Mount For Drop Ceilings



CHOOSE FEC When the Install is Important- ***WHEN IT'S YOURS!***

Heavy Duty and Secure

Includes Hidden Above Ceiling 2x2 Tile With Support Wires

Fully Adjustable Pole Location Within the 2x2 Tile

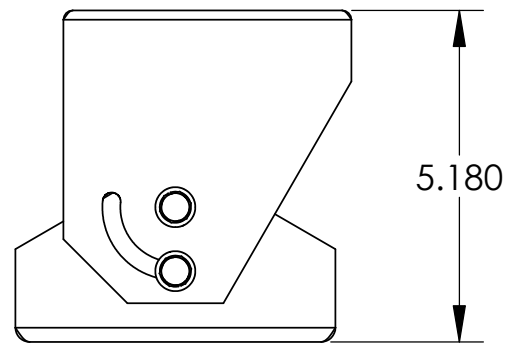
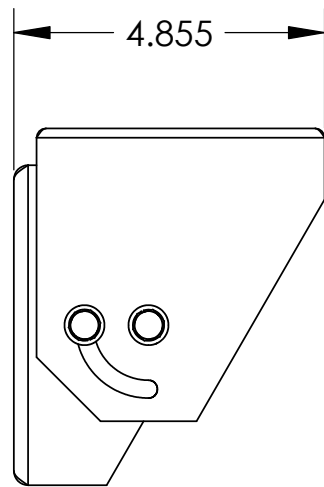
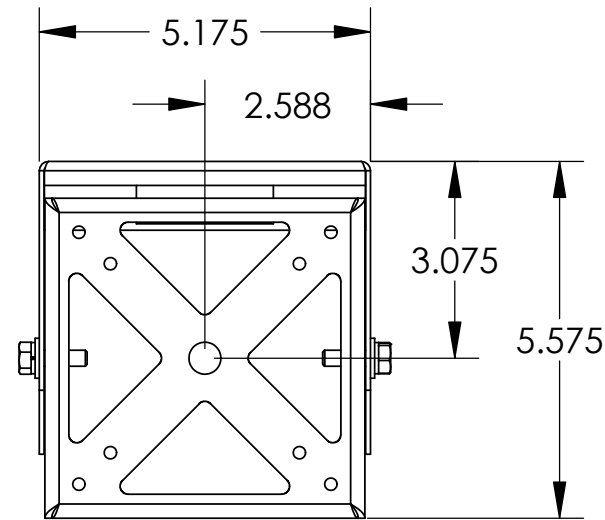
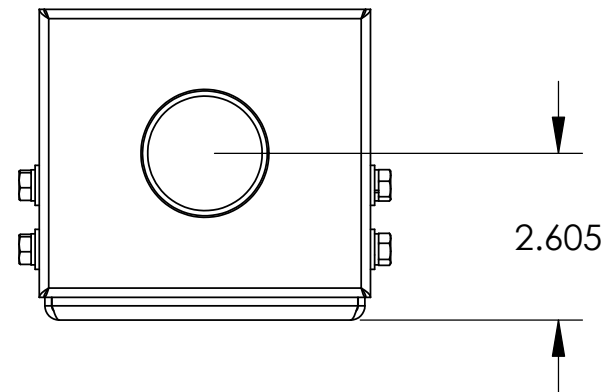
Uses 1 1/2" NPT POLES-Allowing Excellent Cable Pass Through

Adjustable LCD Interface Block with up to 90 Degrees Tilt

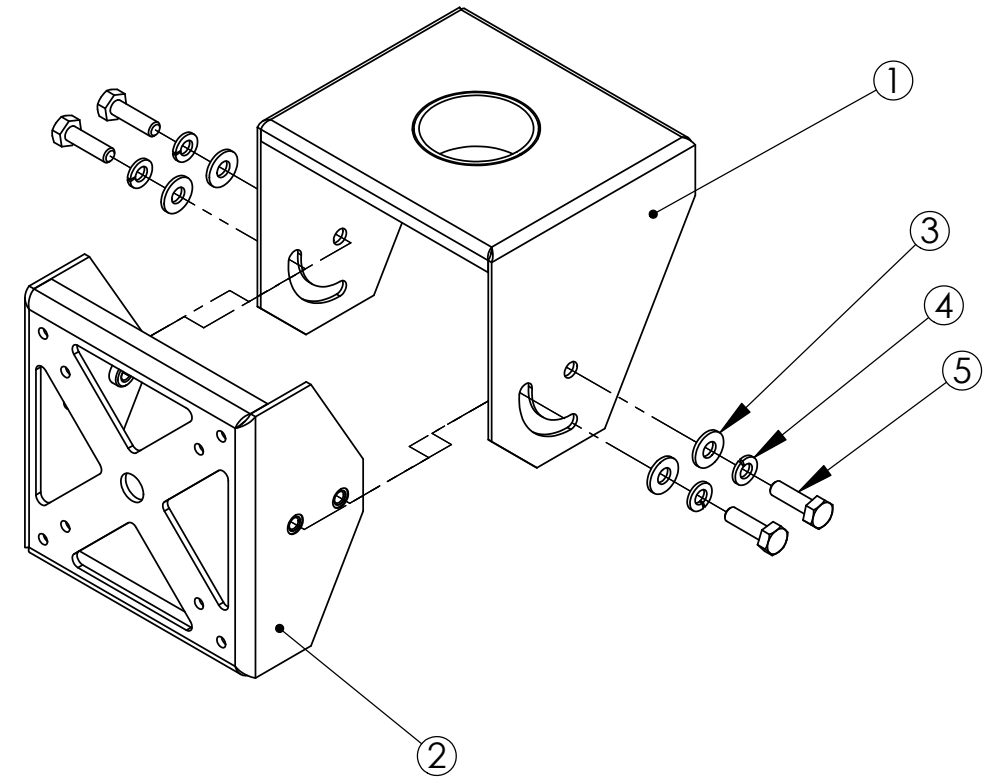
75mm or 100mm VESA Mount Application

LCD Monitor Interface Block comes in White or Black Finish

FEC

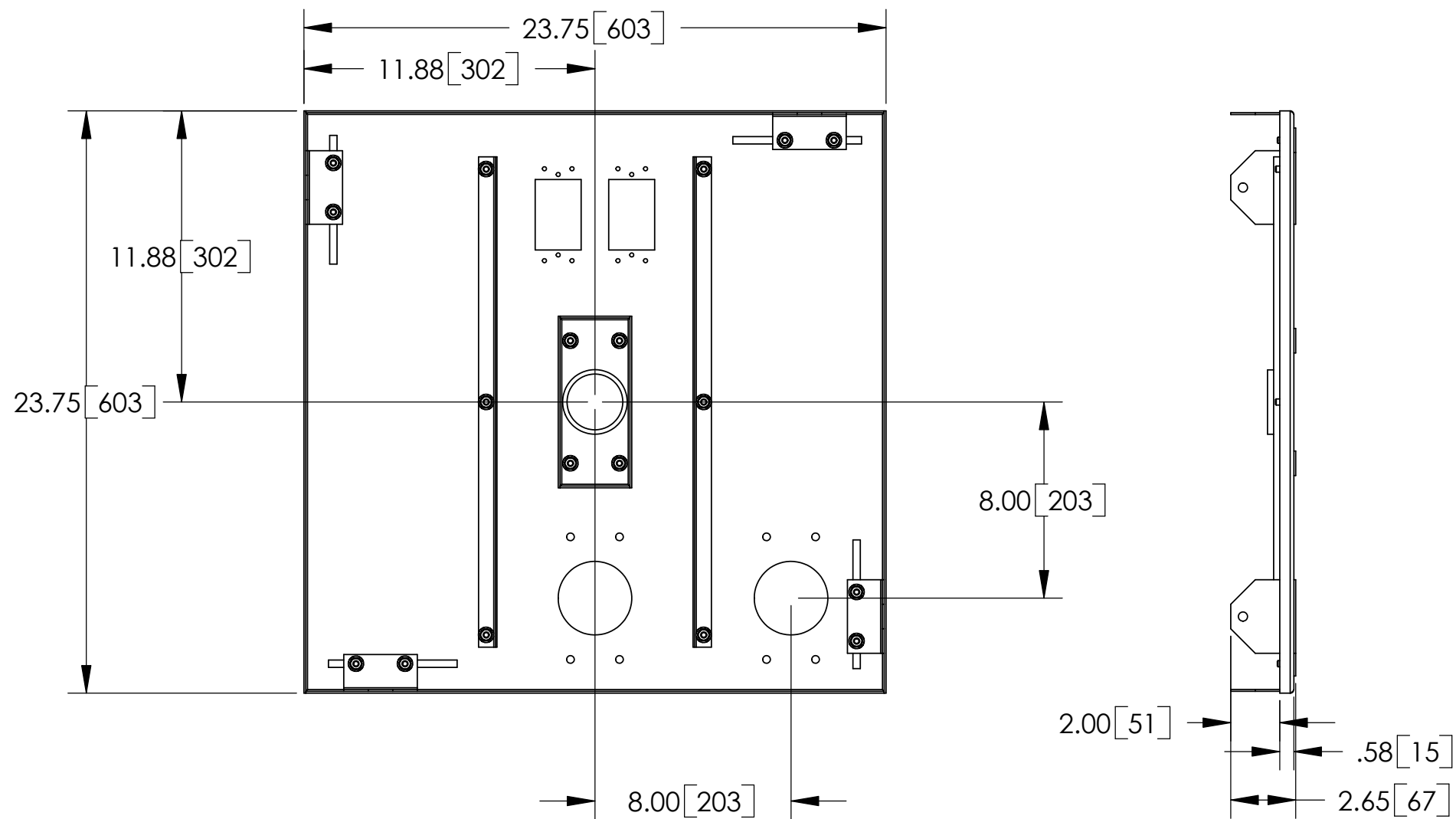


SHOWN ROTATED
DOWN 90°



ITEM NO	QTY	PART NO	DESCRIPTION
1	1	65-551	VESA SWIVEL 1 1/2"POLE MNT WELD
2	1	65-547	VESA SWIVEL SCREEN MOUNT
3	4	5950-1220	1/4, FL WASHER, SAE, STL, ZI
4	4	5950-1570	1/4, LK WASHER, STL, ZI
5	4	5900-1245	1/4-20 X 1, HHCS, HX, GR5, PL

FEC		FEC P.O. BOX 266 ALBERTSON, NY 11507	
<small>THE INFORMATION CONTAINED IN THIS DRAWING IS THE PROPERTY OF FEC. ANY REPRODUCTION IN PART OR WHOLE WITHOUT THE WRITTEN PERMISSION OF FEC IS PROHIBITED</small>		<small>UNLESS OTHERWISE SPECIFIED DIMENSIONS ARE IN INCHES.</small> TOLERANCES: .XX = ± .02 .XXX = ± .010 .XXXX = ± .0050 ANGLE = ± 0.5	
		TITLE VESA SWIVEL 1 1/2" POLE MOUNT	
<small>DRAWN</small> RLS	<small>DATE</small> 6/17/2004	<small>SIZE</small> B	<small>DRAWING NO.</small> 65-550
<small>CHECKED</small>	<small>DATE</small>	<small>SCALE</small> NONE	<small>REV</small> AX2
<small>MATERIAL</small> NONE	<small>FINISH</small> NONE	<small>FILE NAME</small> 65-550.SLDDRW	<small>SHEET 2 OF 2</small>



FEC		FEC P.O. BOX 266 ALBERTSON, NY 11507		
<small>THE INFORMATION CONTAINED IN THIS DRAWING IS THE PROPERTY OF FEC. ANY REPRODUCTION IN PART OR WHOLE WITHOUT THE WRITTEN PERMISSION OF FEC IS PROHIBITED</small>		<small>UNLESS OTHERWISE SPECIFIED DIMENSIONS ARE IN INCHES.</small> TOLERANCES: .XX = ± .02 .XXX = ± .010 .XXXX = ± .0050 ANGLE = ± 0.5		
		2 X 2 CEILING TILE PANEL ASSY		
<small>DRAWN</small> RLS	<small>DATE</small> 12/3/2003	<small>SIZE</small> B	<small>DRAWING NO.</small> 62-113	<small>REV</small> A
<small>CHECKED</small>	<small>DATE</small>	<small>SCALE</small> NONE	<small>FILE NAME</small> 62-113.SLDDRW	<small>SHEET 3 OF 3</small>
<small>MATERIAL</small> NONE	<small>FINISH</small> NONE			