

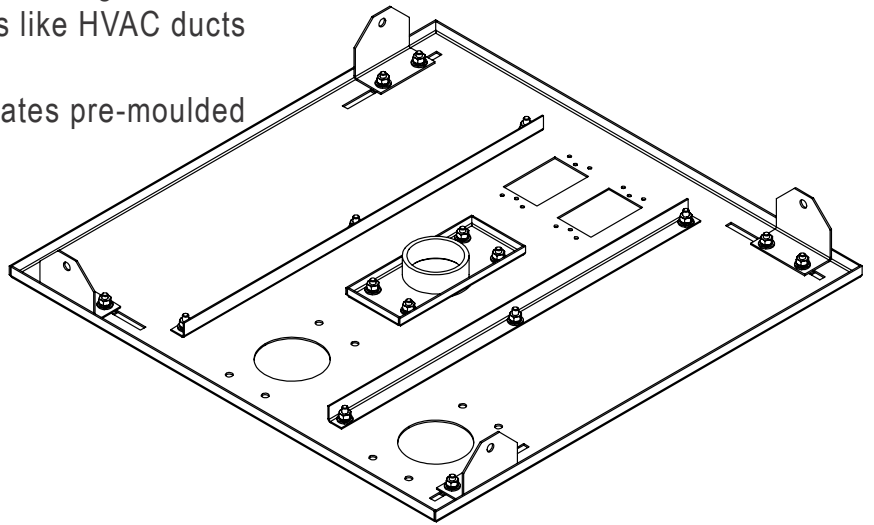
Ceiling Tile Projector Mounts

CTP-2X2LD

Features

- Hangs above ceiling tile attached with support wires
- 50 lb. capacity
- Fully repositionable pole location within 2' x 2' grid tile footprint
- Holes for (2) junction boxes for AC power and signal termination
- Easy solution to work around obstructions like HVAC ducts
- Includes support wire and turnbuckles
- Mates with 1 1/2" NPT poles - accommodates pre-moulded cables/ connectors and accessories
- 23.75"l x 23.75"w x 3"h
- Galvanized steel finish
- Easy to adjust phillips head hardware

List price: \$135



CTP-1X2LD

Features

- Hangs above ceiling tile attached with support wires
- 50 lb. capacity
- Fully repositionable pole location within 2' x 2' grid tile footprint
- Holes for (2) junction boxes for AC power and signal termination
- Includes support wire, turnbuckles and T-grid stabilizing screws
- Easy solution to work around obstructions like HVAC ducts
- Mates with 1 1/2" NPT poles - accommodates pre-moulded cables/ connectors and accessories
- 8"l x 25.4"w x 1"h
- Galvanized steel finish
- Easy to adjust phillips head hardware

List price: \$135

