

FEC

2007 Product Catalog

Contact Starin:

Phone 219-929-4127

Fax Orders to 219-929-4377

Email Orders to orders@starin.biz

General Email info@starin.biz

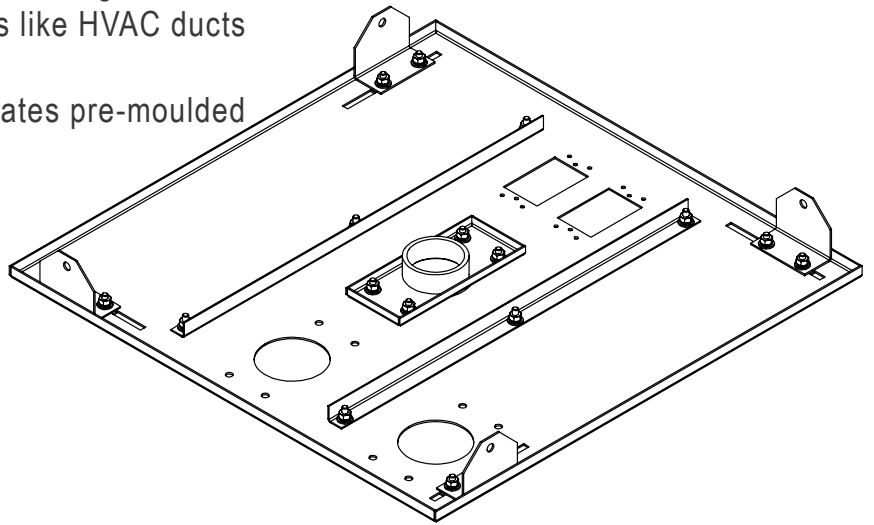
Ceiling Tile Projector Mounts

CTP-2X2LD

Features

- Hangs above ceiling tile attached with support wires
- 50 lb. capacity
- Fully repositionable pole location within 2' x 2' grid tile footprint
- Holes for (2) junction boxes for AC power and signal termination
- Easy solution to work around obstructions like HVAC ducts
- Includes support wire and turnbuckles
- Mates with 1 1/2" NPT poles - accommodates pre-moulded cables/ connectors and accessories
- 23.75"l x 23.75"w x 3"h
- Galvanized steel finish
- Easy to adjust phillips head hardware

List price: \$135



CTP-1X2LD

Features

- Hangs above ceiling tile attached with support wires
- 50 lb. capacity
- Fully repositionable pole location within 2' x 2' grid tile footprint
- Holes for (2) junction boxes for AC power and signal termination
- Includes support wire, turnbuckles and T-grid stabilizing screws
- Easy solution to work around obstructions like HVAC ducts
- Mates with 1 1/2" NPT poles - accommodates pre-moulded cables/ connectors and accessories
- 8"l x 25.4"w x 1"h
- Galvanized steel finish
- Easy to adjust phillips head hardware

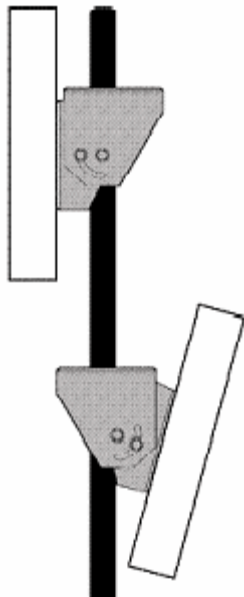
List price: \$135



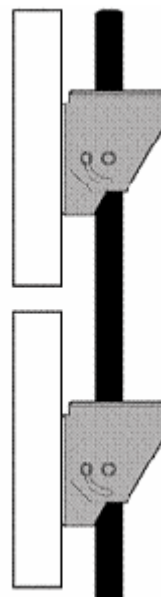
FEC

QUALITY MOUNTING SOLUTIONS

F-LCD-STACKER



LCD MONITORS ON DIFFERENT SIDES



LCD MONITORS ON SAME SIDE OF POLE

F-LCD-STACKER

- THE MOST LCD DISPLAY OPTIONS ON 1 POLE. POLE NOT INCLUDED
- MULTIPLE LCD PANELS MAY BE "STACKED" ON THE SAME POLE
- LCD DISPLAYS MAY FACE ANY DIRECTION
- LCD PANELS MAY EACH HAVE DIFFERENT TILT SETTINGS
- WORKS WITH ANY LCD DISPLAY WITH 75mm/100mm VESA
- 2 LCD PANELS UP TO 30Lbs ea MAY BE HUNG WITH THE OPTIONAL PLMT-LD-1.5 CEILING PLATE. UP TO 4 LCD PANELS UP TO 30Lbs ea MAY BE HUNG WITH THE OPTIONAL PLMT-T-1.5 HEAVY DUTY PLATE.



PLMT-LD-1.5 CEILING MOUNT
FOR UP TO 2 LCD DISPLAYS



PLMT-T-1.5 CEILING MOUNT
FOR UP TO 4 LCD DISPLAYS

FEC

TEL 516-593-9565 FAX 516-593-9562 EMAIL doug@fecmountworld.com

FEC

Quality Mounting Solutions

F-LCD-CTP2

Dual LCD Monitor Mount For Drop Ceilings



CHOOSE FEC When the Install is Important-*When IT'S YOURS!*

Heavy Duty and Secure

Includes Hidden Above Ceiling 2x2 Tile With Support Wires

Fully Adjustable Pole Location Within the 2x2 Tile

Uses 1 1/2" NPT POLES-Allowing Excellent Cable Pass Through

Adjustable DUAL LCD Interface Block with up to 45 Degrees Tilt

75mm or 100mm VESA Mount Application

LCD Dual Monitor Interface Block comes in White or Black

FEC

FEC

Quality Mounting Solutions

F-LCD-CTP1

Single LCD Monitor Mount For Drop Ceilings



CHOOSE FEC When the Install is Important- ***WHEN IT'S YOURS!***

Heavy Duty and Secure

Includes Hidden Above Ceiling 2x2 Tile With Support Wires

Fully Adjustable Pole Location Within the 2x2 Tile

Uses 1 1/2" NPT POLES-Allowing Excellent Cable Pass Through

Adjustable LCD Interface Block with up to 90 Degrees Tilt

75mm or 100mm VESA Mount Application

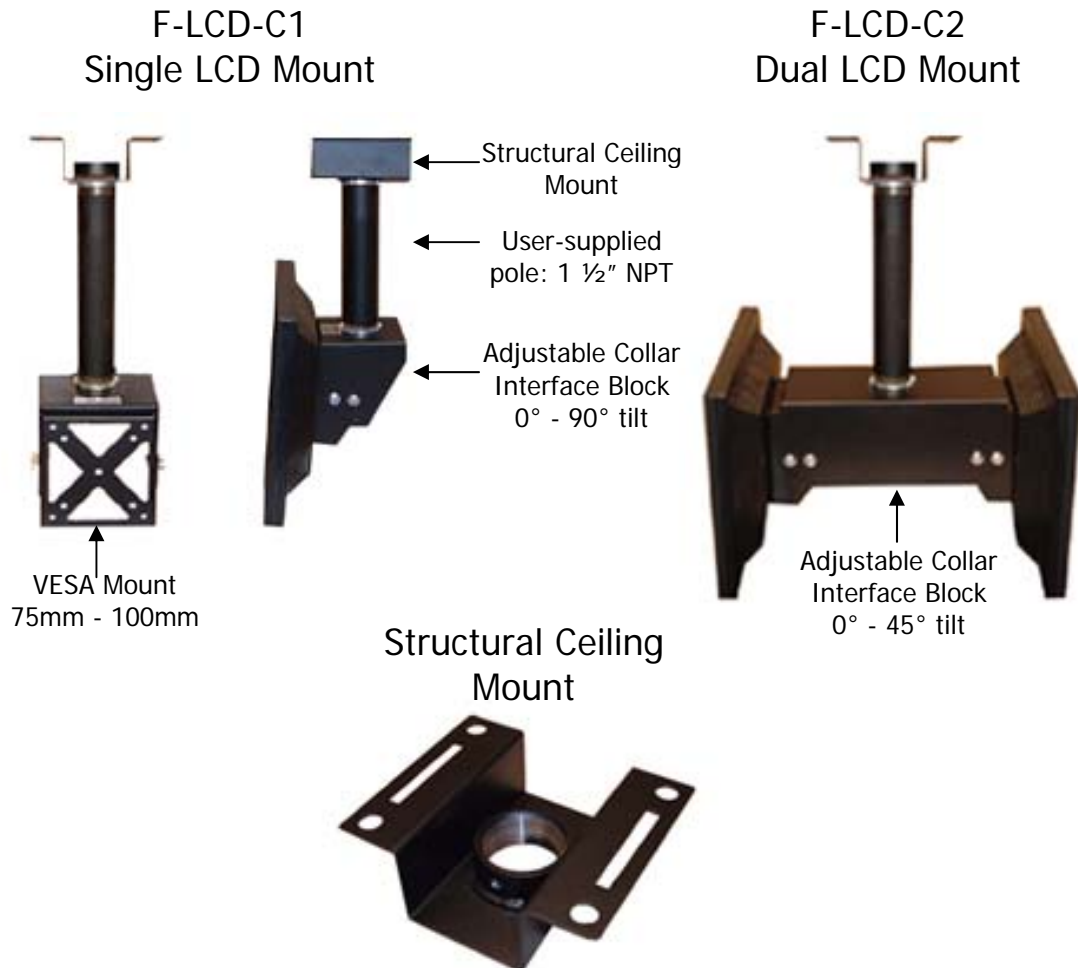
LCD Monitor Interface Block comes in White or Black Finish

FEC

FEC

QUALITY MOUNTING SOLUTIONS

FEC's LCD HEAVY DUTY SAFE AND SECURE PENDANT MOUNTS



CHOOSE FEC WHEN THE INSTALLATION IS ***IMPORTANT-WHEN IT'S YOURS!!***

FEC's F-LCD SERIES PENDANT POLE MOUNTS OFFER YOU

- **HEAVY DUTY AND SECURE LCD MOUNTING SOLUTIONS-UP TO 60Lbs**
- **YOUR CHOICE OF SINGLE or DUAL LCD MOUNT CONFIGURATIONS**
- **EXCELLENT CABLE MANAGEMENT DESIGN**
- **INCLUDES THE STRUCTURAL CEILING MOUNT AND VESA INTERFACE BLOCK**
- **SIMPLE AND QUICK INSTALLATION**
- **ACCOMODATES BOTH 75mm AND 100mm VESA MOUNTING PLATES**
- **YOUR CHOICE OF BLACK OR WHITE FINISH**

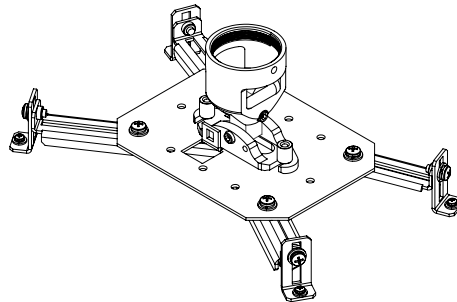
Universal Projector Mount

FECK-Flex

Features

- The Flex-Mount consists of a steel interface plate with four adjustable arms to position over the projectors' mounting holes.
- The unit includes two sets of adjustable arms - short and long for different configurations
- Each arm has vertical adjustment to compensate for differing heights at mount points
- Superior to a ball joint design - pitch and tilt can be adjusted independently
- Can be flush mounted with enclosed ceiling plate or attached to a 1 1/2" NPT schedule 40 pipe
- Quick release for easy projector service

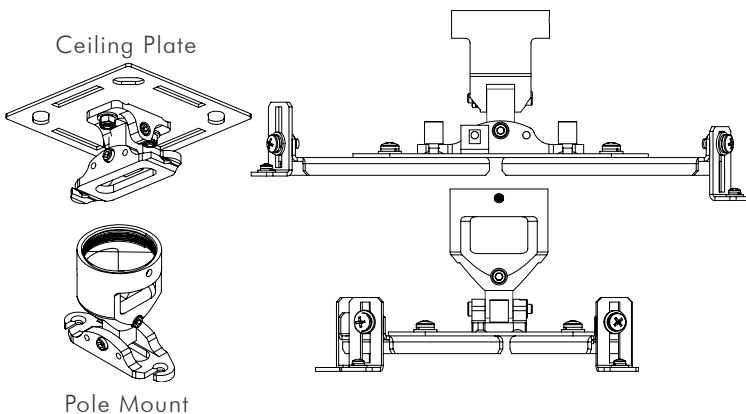
- 8" w x 6" d x 4.5" h
- Black anodized finish



Specifications

- +/- 20° tilt, +/- 20° pitch, +/- 360 yaw
- Maximum projector hole spacing: 15" x 13"
- Minimum projector hole spacing: 5" x 6" triangle
6" x 8" square

- Maximum vertical compensation: 1.5"
- (4) Short arms: 4.0"
- (4) Long arms: 6.3"
- Mounting hardware kit includes 4 each of:
3 x 12mm, 4 x 12mm, 5 x 12mm, 6 x 12mm



FEC

Quality Mounting Solutions

FEC MODEL RLTS-2040AMD

SONY LMD2050 & LMD2450



RLTS-2040AMD RACKMOUNT

EITHER MONITOR IS COMPLETELY ADJUSTABLE

- TILT UP/DOWN
- SWIVEL THE DISPLAY SIDE TO SIDE
- TELESCOPE THE MONITOR OUT
- HEAVY DUTY DESIGN

THE SONY LMD SERIES LCD DISPLAYS AND THE FEC RLTS-2040AMD RACKMOUNT

- VIEW IT YOUR WAY-THE DISPLAY ADJUSTS TO YOU
- EASY TO CHANGE VIEWING ANGLE/POSITION

FEC

Tel 516-967-9565 Fax 516-908-3537

FEC

QUALITY MOUNTING SOLUTIONS

MODEL RLTS-17AMD

UNIVERSAL LCD DISPLAY RACKMOUNT WITH ARTICULATING ARM/PAN/TILT



LCD DISPLAY EXTENDED OUT



LCD DISPLAY EXTENDED OUT AND ROTATED

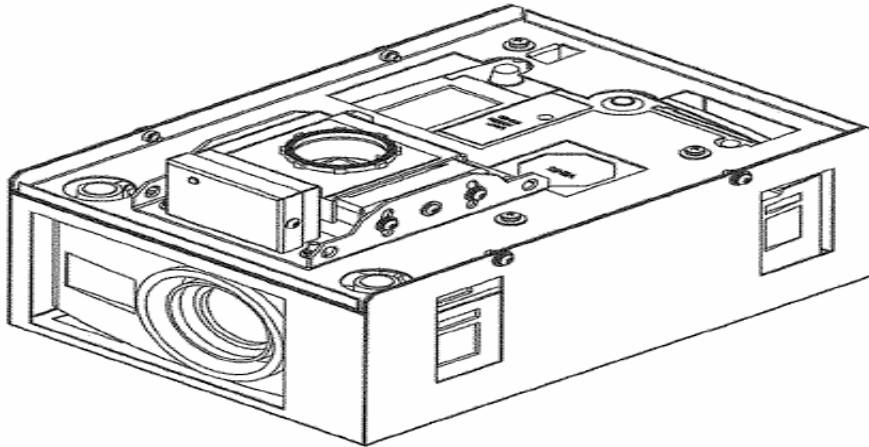
WORK COMFORTABLY!!

- ALLOWS THE OPTIMUM VIEWING POSITION FOR USER.
- YOU ARE NO LONGER FORCED TO STRETCH OR LEAN OVER OR MOVE TO GET THE BEST VIEW.
- **RLTS-17AMD** WORKS WITH ANY LCD DISPLAY FROM 14-20" WITH 75mm/100mm VESA PATTERN UP TO 30Lbs.
- NEED THE LCD DISPLAY INSIDE THE CABINET, BUT JUST NEED A LITTLE PAN/TILT FOR BEST VIEW? **GO AHEAD!**
- NEED THE LCD DISPLAY TO PROTRUDE STRAIGHT OUT FROM THE FRONT OF THE RACK FOR BEST VIEW? **GO AHEAD!**
- NEED THE LCD DISPLAY TO PROTRUDE AND TILT DOWN/UP A BIT FOR BEST VIEW? **GO AHEAD!**
- NEED THE LCD DISPLAY TO PROTRUDE AND TILT AND PAN SIDE TO SIDE FOR BEST VIEW? **GO AHEAD!**
- NEED TO ORDER A KIT FOR BEST VIEW? **GO AHEAD!**

FEC

TEL 516-593-9565 FAX 516-593-9562 EMAIL doug@fecmountworld.com

FEC'S PROJECTOR PROTECTOR



PICTURE IS FOR REFERENCE ONLY

NEED EXTRA PROTECTION?

- METAL CASE TO PROTECT THE PROJECTOR'S EXTERIOR.
- CUSTOM DESIGNED FOR EACH SPECIFIC PROJECTOR MODEL.
- EXTRA PROTECTION FROM FLYING OBJECTS AS IN GYM APPLICATIONS.
- METAL CASE MAKES A GREAT VISUAL ANTI-THEFT DETERRANT
- FEC HAS A LARGE LIBRARY OF PROJECTOR SPECS ON FILE.
- FEC CAN ALSO SUPPLY ADJUSTABLE POLES AND CEILING PLATES

JUST SPECIFY THE PROJECTOR YOU NEED TO PROTECT

FEC

FPWT- 4260

UNIVERSAL WALLMOUNT

The FEC model FPWT-4260 fits most
Major Brand Plasma Monitors Sizes
40" to 60"

*Why stock model specific Plasma
Wallmounts when all you need is one
model? FEC's FPWT-4260 offers you
"tilt" capability for the price of a "Flat"
Wallmount.*

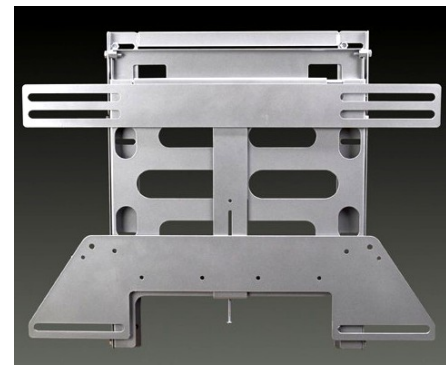
Features:

Mount **Flat** to the wall, or **tilt** up to 10
degrees.

Holds **40-60" Plasma Displays** with weight
up to 150 lbs.

Pull Out **cable access** from Bottom.

Ultra Thin design only 7/8" from wall.



QUESTIONS? CALL/FAX OR EMAIL

FEC

t516-593-9565 f516-593-9562
email doug@fecmountworld.com

FEC

QUALITY MOUNTING SOLUTIONS

FEC MODEL F-PL-C60 UNIVERSAL LCD/PLASMA POLE CEILING MOUNT

INCLUDES



UNIVERSAL DISPLAY ADAPTOR



POLE MOUNT ADAPTOR

- HEAVY DUTY PLASMA/LCD POLE MOUNT to 175Lbs.
- TILT ADJUSTABLE TO 60 degrees.
- PLASMA/LCD DISPLAY SIZES 32-60".
- F-PL-C60 INCLUDES UNIVERSAL DISPLAY ADAPTOR AND POLE ADAPTOR MOUNT TO FIT A STANDARD 1.5" POLE.
- FEC OFFERS OPTIONAL (SEE BELOW) PLMT-T-1.5 HEAVY DUTY CEILING PLATE TO ATTACH POLE TO STRUCTURAL CEILING.

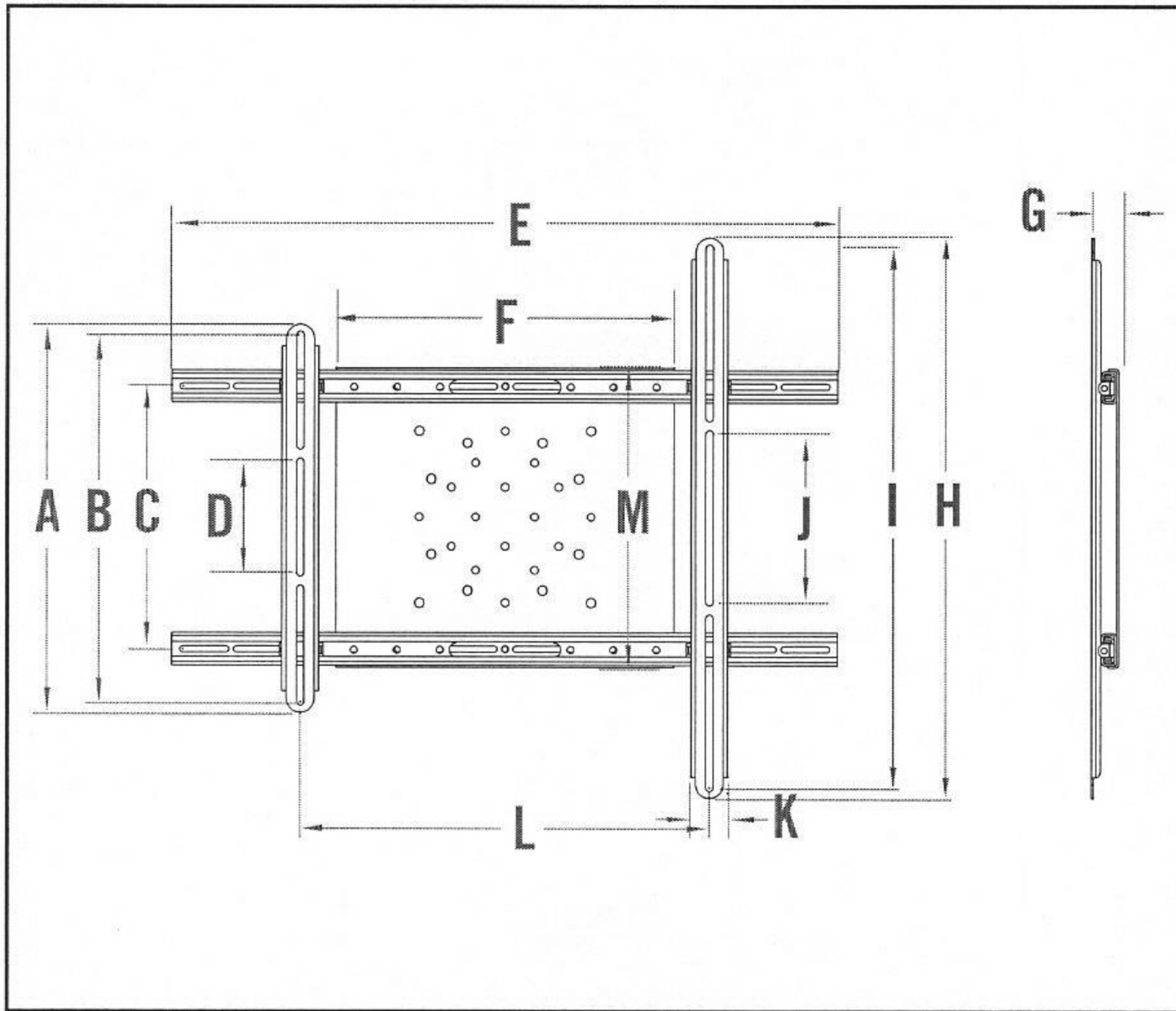


PLMT-T-1.5 CEILING PLATE

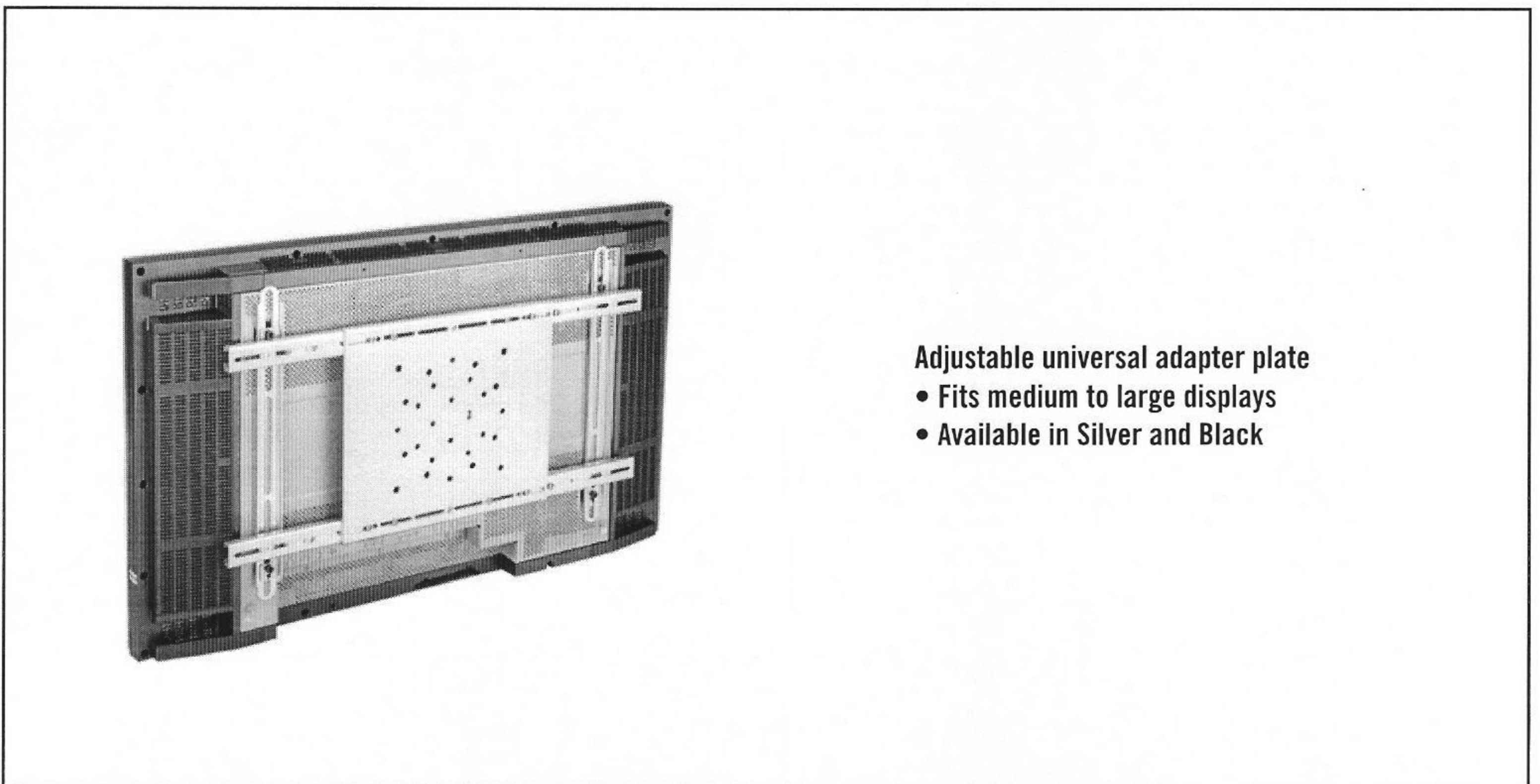
FEC

TEL 516-593-9565 FAX 516-593-9562 EMAIL doug@fecmountworld.com

UNIVERSAL ADJUSTABLE ADAPTER
PART OF FLW-48AMD AND F-PL-C60 KITS
OPTIONAL FOR FLW-37AMD KIT



TECHNICAL SPECIFICATIONS		
A	18.00"	457.20mm
B	17.12"	434.85mm
C	12.38"	314.33mm
D	5.25"	133.35mm
E	31.00"	787.40mm
F	15.75"	400.05mm
G	1.30"	33.02mm
H	26.00"	660.40mm
I	25.13"	638.18mm
J	7.80"	198.12mm
K	1.71"	43.43mm
L	2.50-38.00"	63.50-965.90mm
M	14.13"	385.90mm



Adjustable universal adapter plate

- Fits medium to large displays
- Available in Silver and Black

FEC

QUALITY MOUNTING SOLUTIONS

FEC MODEL FLW-TSC-D ALL IN ONE LCD WALL MOUNT

TWO MOUNT OPTIONS IN 1 EASY TO USE KIT!



4" LCD WALL MOUNT



10" ARTICULATING ARM

- 1 KIT DOES IT ALL-NO NEED TO CARRY 2 LCD MOUNTS
- MOUNTS 12-23" LCD DISPLAYS TO 30Lbs
- 75mm-100mm VESA COMPATIBLE
- 4" CONFIGURATION PRE-ASSEMBLED. Up TO180deg SWIVEL AND 15deg TILT
- EASY CONVERSION TO 10" ARM WALL MOUNT WITH 180deg SWIVEL AT 2 PIVOT POINTS AND UP TO 15deg TILT
- SILVER FINISH

FEC

TEL 516-595-9565 FAX 516-593-9562 WEB www.fecmountworld.com
PO BOX 266 ALBERTSON NY 11507

FEC

Quality Mounting Solutions



Wall Mount
w/15° tilt



Model FLW-T1



Wall Mount
w/15° tilt and
180° side to
side rotation

Model FLW-TS1

Introducing FEC LCD Wall Mounts

The FLW-Series Mounts are VESA compliant and come in three distinctive styles that can be mounted to almost any LCD Flat Panel Display. All FLW-Series Mounts are pre-assembled for “Quick and Convenient Installation”.

Features

- 15° degree forward tilt
- 180° side to side rotation on the FLW-TS1 and FLW-TSC1 models
- VESA 75mm and 100mm Compliant
- Mounts to standard stud, concrete, and block wall construction
- Fits 15” to 24” LCD Monitor
- 33 lbs weight capacity
- Quick and Convenient Installation

<u>FEC Model</u>	<u>Features</u>
FLW-T1	15° tilt
FLW-TS1	15° tilt 180° rotation
FLW-TSC1	15° tilt 180° rotation cantilever arm



Model FLW-TSC1

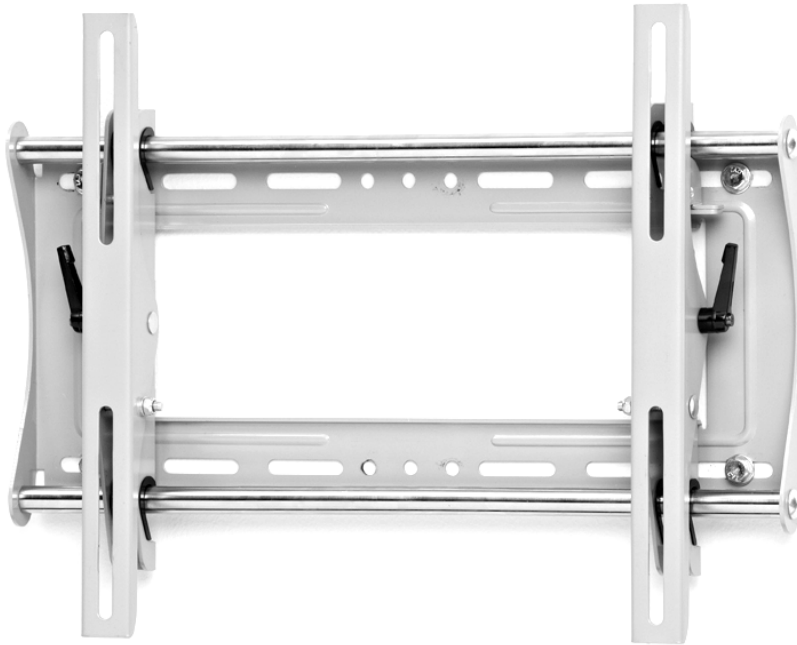


Wall Mount with
cantilever arm
15° tilt, and 180°
side to side rotation

FEC

QUALITY MOUNTING SOLUTIONS

FLW-61TT HEAVY DUTY UNIVERSAL TILT WALLMOUNT FOR 61-63" DISPLAYS



FEC FLW-61TT WALLMOUNT WITH TILT FOR ALL LCD/PLASMA PANELS FROM 61-63"

- HEAVY DUTY CONSTRUCTION FOR LCD/PLASMA PANELS TO 200 Lbs
- FOR ALL LCD/PLASMA PANELS FROM 61-63"
- TILT ADJUSTABLE TO 15 DEGREES
- LATERAL ADJUSTMENT FOR INSTALLATION CONVENIENCE
- LOW PROFILE DESIGN
- UNIVERSAL DESIGN FOR ANY LCD/PLASMA DISPLAY
- LARGE ELECTRICAL BOX OPENING
- LOCKING SYSTEM FOR SECURITY AND SAFETY
- EASY AND QUICK INSTALLATION
- UL LISTED

FEC

TEL 516-593-9565 FAX 516-593-9562 WEB www.fecmountworld.com
PO BOX 266 ALBERTSON NY 11507

FEC

QUALITY MOUNTING SOLUTIONS

FLW-54TT UNIVERSAL TILT WALL MOUNT FOR LCD/PLASMA DISPLAYS FROM 32-60"



FEC FLW-54TT TILT WALL MOUNT FOR ALL LCD/PLASMA PANELS FROM 32-60" TO 175Lb

- HEAVY DUTY CONSTRUCTION FOR LCD/PLASMA PANELS TO 175 Lbs
- FOR ALL LCD/PLASMA PANELS FROM 32-60"
- TILT ADJUSTABLE TO 15 DEGREES. MAY USE AS FLAT MOUNT ALSO.
- LATERAL ADJUSTMENT FOR INSTALLATION CONVENIENCE
- LOW 2.66" PROFILE
- UNIVERSAL DESIGN FOR ANY LCD/PLASMA DISPLAY
- LARGE ELECTRICAL BOX OPENING
- LOCKING SYSTEM FOR SECURITY AND SAFETY
- EASY AND QUICK INSTALLATION

FEC

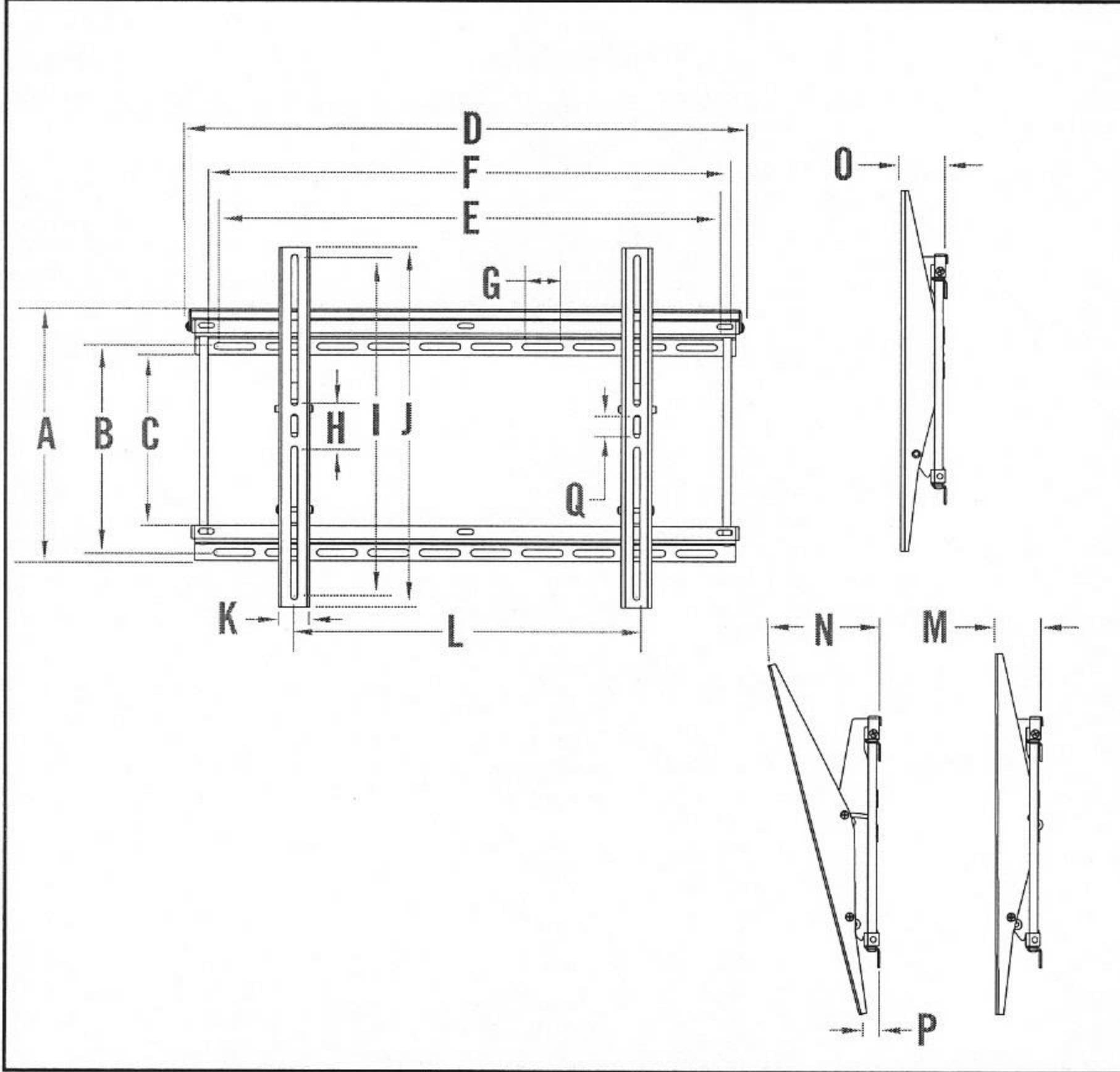
TEL 516-593-9565 FAX 516-593-9562 EMAIL doug@fecmountworld.com
PO BOX 266 ALBERTSON NY 11507

FEC

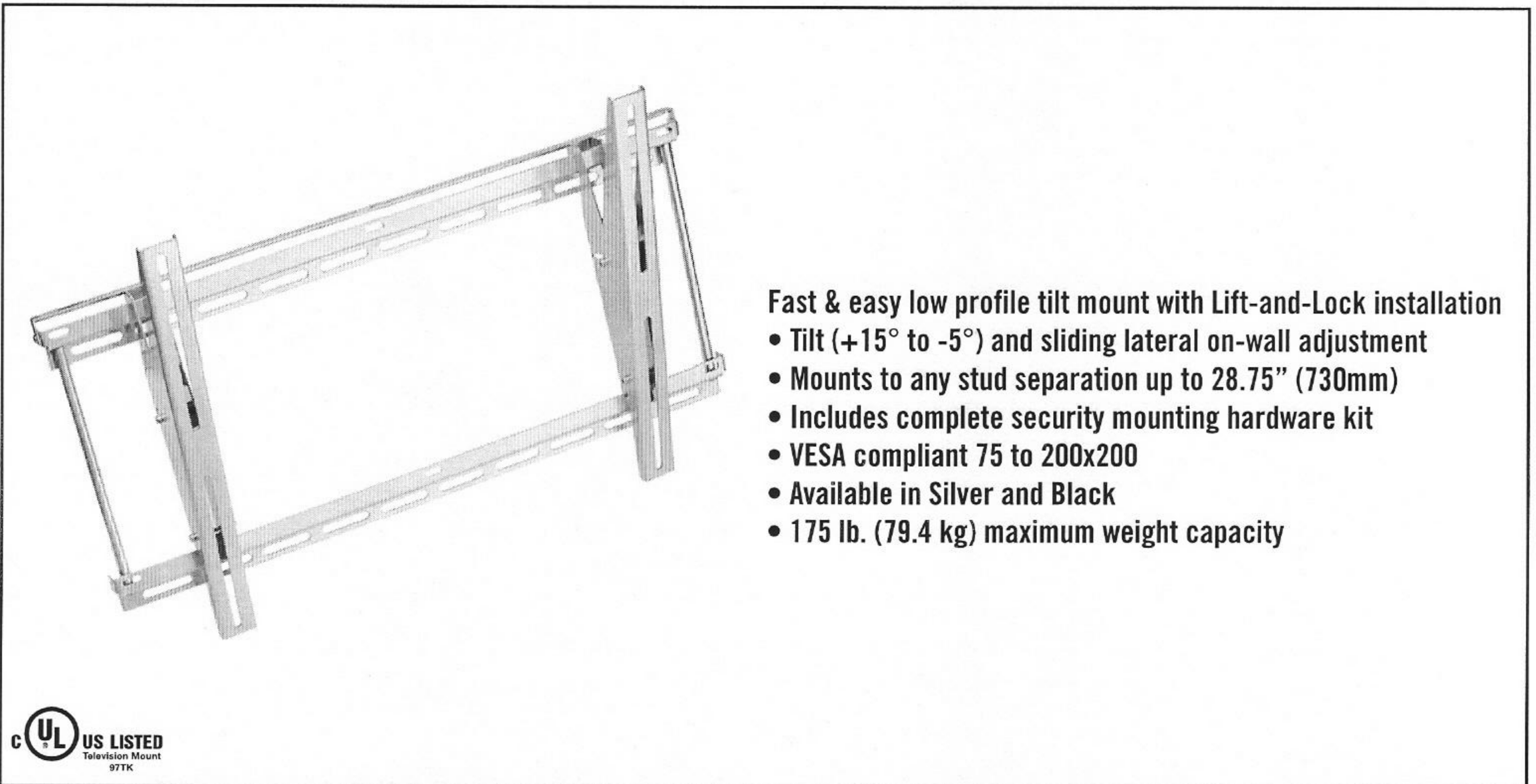
QUALITY MOUNTING SOLUTIONS

MODEL FLW-54TT

WALL MOUNT WITH TILT FOR LCD/PLASMA DISPLAYS FROM 32-60" AND UP TO 175Lbs



TECHNICAL SPECIFICATIONS		
A	14.75"	374.65mm
B	12.00"	304.80mm
C	9.90"	251.46mm
D	32.50"	825.50mm
E	28.75"	730.00mm
F	30.00"	762.00mm
G	2.05"	52.07mm
H	2.78"	70.61mm
I	19.75"	501.65mm
J	21.00"	533.40mm
K	1.78"	45.21mm
L	2.34-27.75"	59.40-704.90mm
M	2.73"	69.34mm
N	7.00"	177.80mm
O	NA	NA
P	1.00"	25.40mm
Q	1.07"	27.18mm



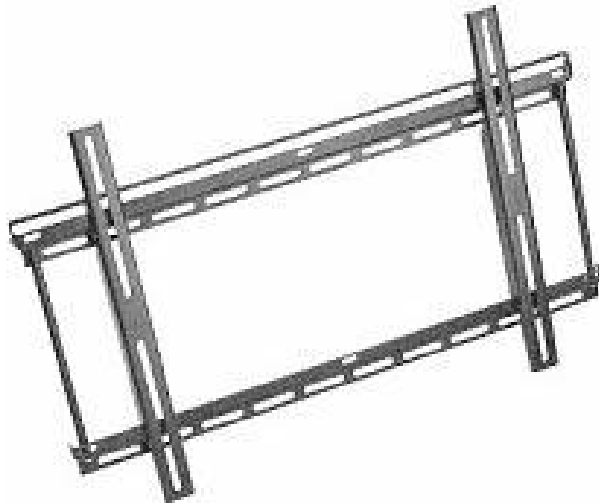
- Fast & easy low profile tilt mount with Lift-and-Lock installation**
- Tilt (+15° to -5°) and sliding lateral on-wall adjustment
 - Mounts to any stud separation up to 28.75" (730mm)
 - Includes complete security mounting hardware kit
 - VESA compliant 75 to 200x200
 - Available in Silver and Black
 - 175 lb. (79.4 kg) maximum weight capacity



FEC

QUALITY MOUNTING SOLUTIONS

FLW-54FX UNIVERSAL FLAT WALL MOUNT FOR LCD/PLASMA DISPLAYS 32-60"



FEC FLW-54FX FLAT WALL MOUNT FOR LCD/PLASMA PANELS FROM 32-60" TO 175Lbs

FEC MODEL FLW-54FX

- EASY AND QUICK INSTALLATION
- FIXED WALL MOUNT FOR LARGE PLASMA/LCD PANELS FROM 32- 60" UP TO 175Lbs
- VESA COMPATIBLE -75mm/100mm/100x200mm/200x200mm
- SLIDING LATERAL ADJUSTMENT
- LOW 2.4" PROFILE
- LOCKING SYSTEM FOR SECURITY AND SAFETY
- LARGE ELECTRICAL BOX OPENING

FEC

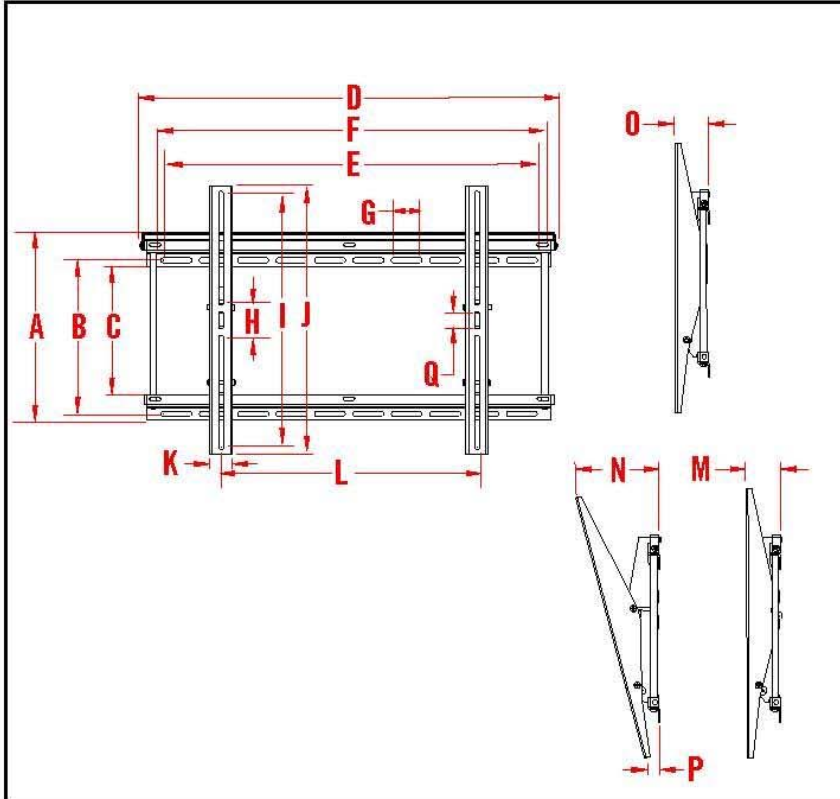
TEL 516-593-9565 FAX 516-593-9562 EMAIL doug@fecmountworld.com
PO BOX 266 ALBERTSON NY 11507

FEC

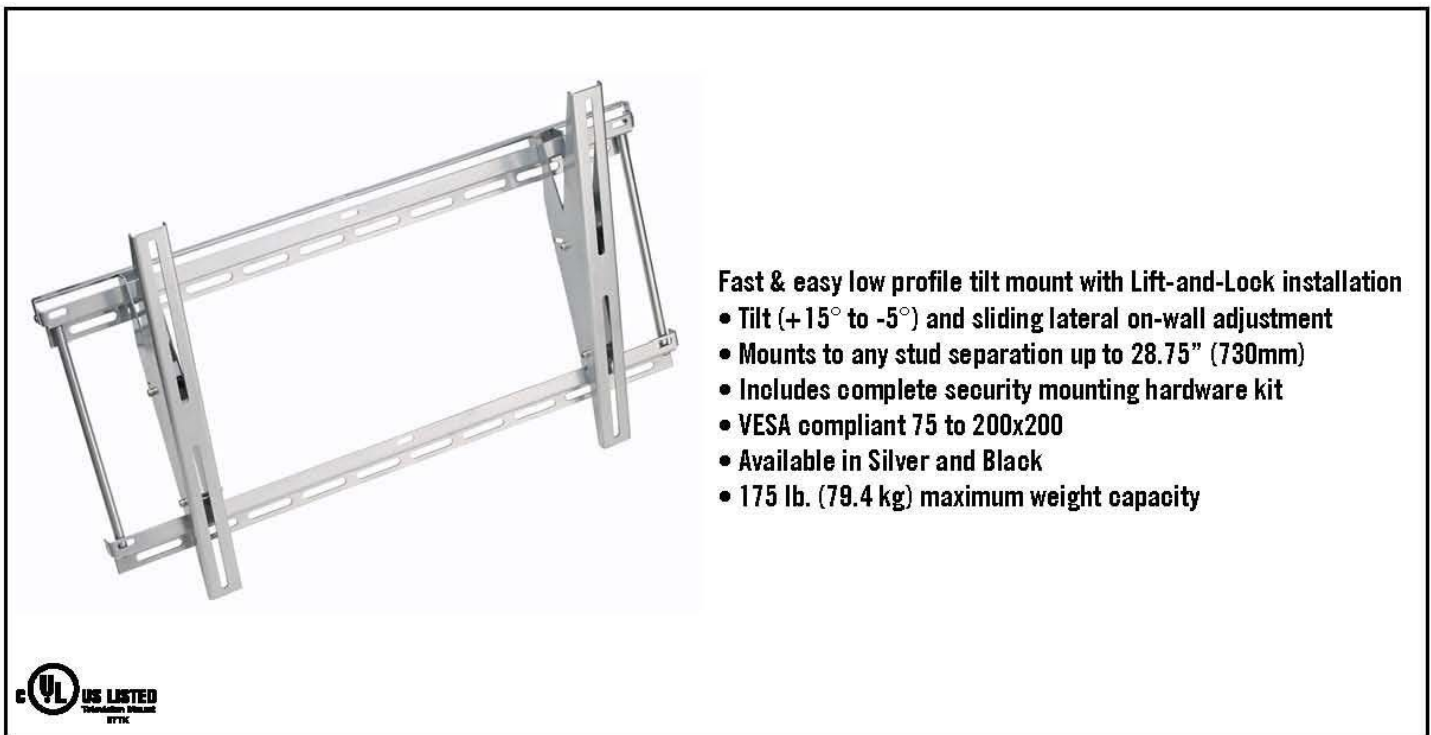
QUALITY MOUNTING SOLUTIONS

FLW-54FX

UNIVERSAL FLAT PLASMA/LCD WALL MOUNT FOR DISPLAYS 32-60" AND UP TO 175Lbs



TECHNICAL SPECIFICATIONS		
A	14.75"	374.65mm
B	12.00"	304.80mm
C	9.90"	251.46mm
D	32.50"	825.50mm
E	28.75"	730.00mm
F	30.00"	762.00mm
G	2.05"	52.07mm
H	2.78"	70.61mm
I	19.75"	501.65mm
J	21.00"	533.40mm
K	1.78"	45.21mm
L	2.34-27.75"	59.40-704.90mm
M	2.73"	69.34mm
N	7.00"	177.80mm
O	NA	NA
P	1.00"	25.40mm
Q	1.07"	27.18mm



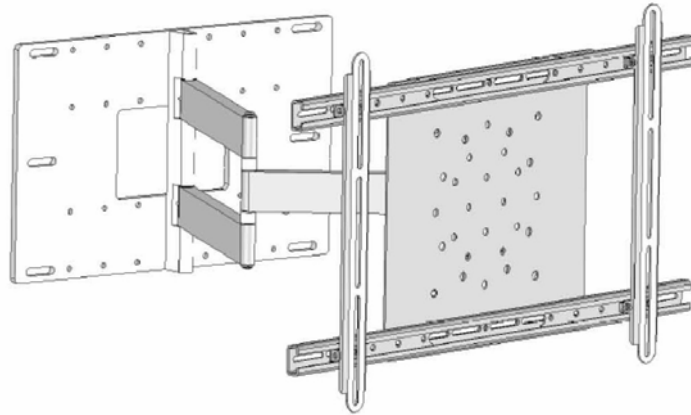
- Fast & easy low profile tilt mount with Lift-and-Lock installation**
- Tilt (+15° to -5°) and sliding lateral on-wall adjustment
 - Mounts to any stud separation up to 28.75" (730mm)
 - Includes complete security mounting hardware kit
 - VESA compliant 75 to 200x200
 - Available in Silver and Black
 - 175 lb. (79.4 kg) maximum weight capacity



FEC

QUALITY MOUNTING SOLUTIONS

FLW-48AMD HEAVY DUTY ARTICULATING WALL MOUNT ARM



FEC FLW-48AMD WALL MOUNT FOR ANY LCD/PLASMA PANELS TO 54" TO 125 Lbs

FLW-48AMD HEAVY DUTY ARTICULATING WALL MOUNT ARM

- **UNIVERSAL DESIGN FOR LARGE LCD/PLASMA PANELS UP TO 54"**
- **2 SWING ARMS PRE-ASSEMBLED FOR EASY AND FAST ASSEMBLY**
- **MAXIMUM FLEXIBILITY FOR INSTALLATION AND VIEWING**
- **ALLOWS 180 DEGREE ROTATION**
- **SINGLE OR DOUBLE STUD MOUNTING CAPABILITY**
- **ALLOWS LCD/PLASMA TO BE STORED FLAT AGAINST THE WALL**
- **125 Lb MAX WEIGHT CAPABILITY FOR ANY FLAT PANEL DISPLAY**

FEC

TEL 516-593-9565 FAX 516-593-9562 EMAIL doug@fecmountworld.com
PO BOX 266 ALBERTSON NY 11507

FEC

QUALITY MOUNTING SOLUTIONS

FLW-37TT UNIVERSAL TILT WALL MOUNT



FEC FLW-37TT WALL MOUNT WITH TILT FOR LCD/PLASMA PANELS FROM 23-37"

FLW-37TT UNIVERSAL TILT WALL MOUNT

- UNIVERSAL DESIGN FOR LCD/PLASMA PANELS TO 80lbs
- FOR ALL LCD/PLASMA PANELS FROM 23-37"
- TILT ADJUSTABLE TO 15 DEGREES. OR USE IN FLAT MODE.
- LATERAL ADJUSTMENT FOR INSTALLATION CONVENIENCE
- LOW 2.25" PROFILE DESIGN
- LARGE ELECTRICAL BOX OPENING
- LOCKING SYSTEM FOR SECURITY AND SAFETY
- EASY AND QUICK INSTALLATION

FEC

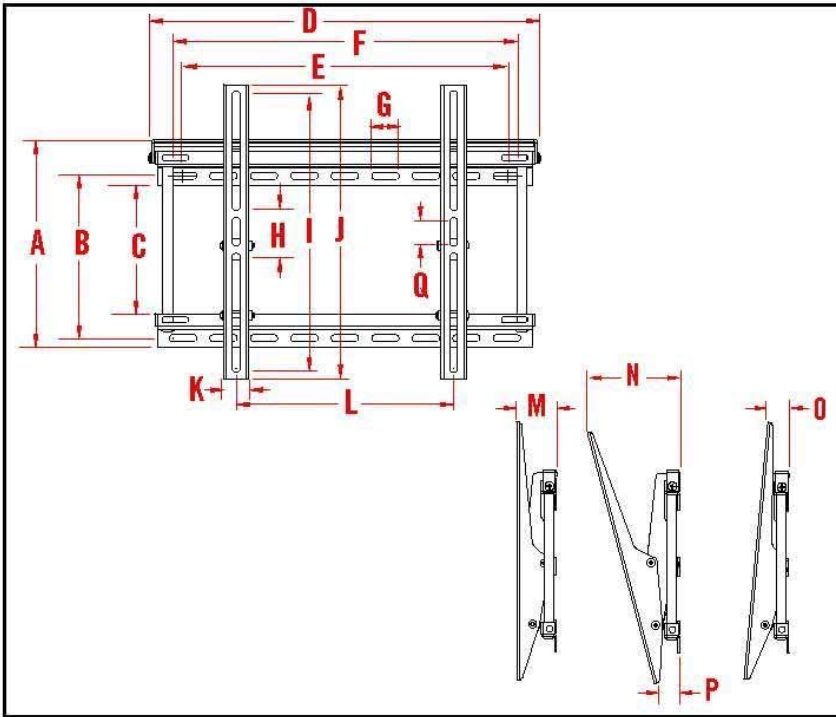
TEL 516-593-9565 FAX 516-593-9562 EMAIL doug@fecmountworld.com
PO BOX 266 ALBERTSON NY 11507

FEC

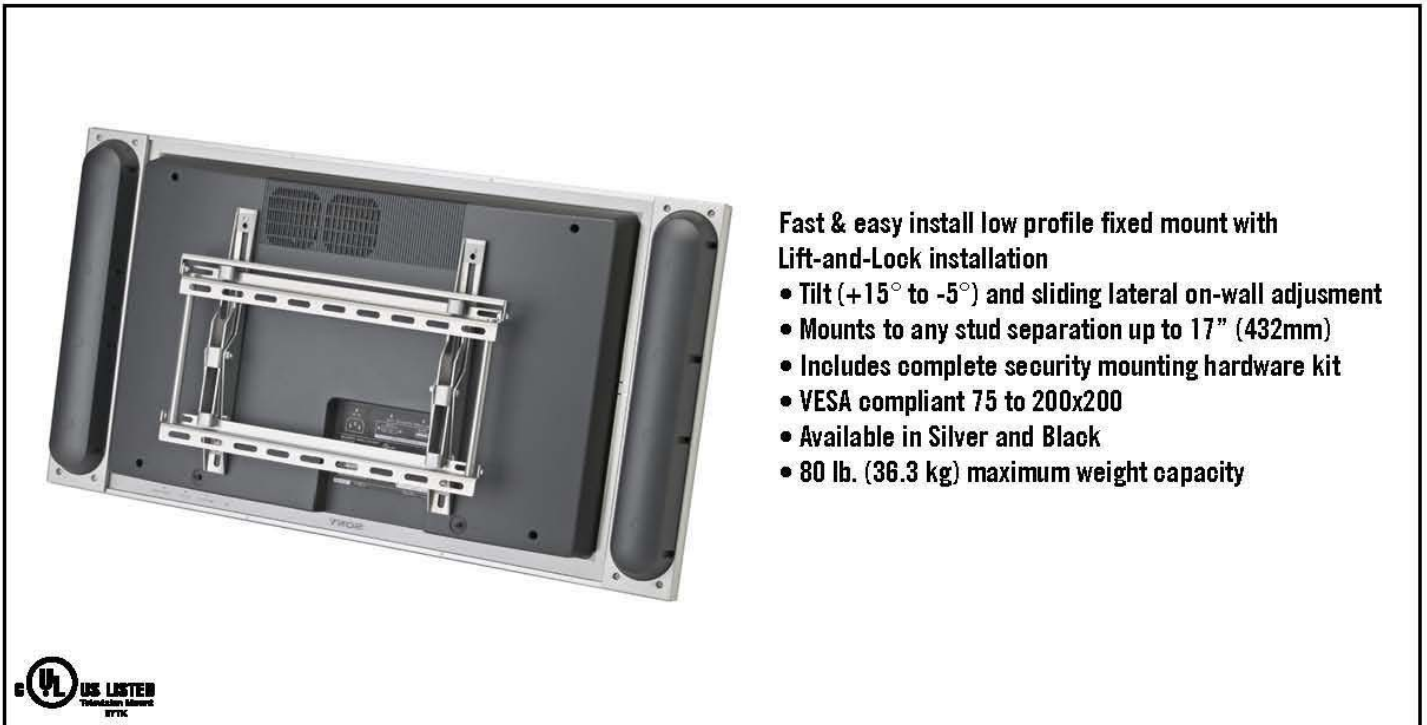
QUALITY MOUNTING SOLUTIONS

FLW-37TT

UNIVERSAL LCD/PLASMA WALL MOUNT WITH TILT FOR DISPLAY 23-37" UP TO 80Lbs



TECHNICAL SPECIFICATIONS		
A	10.25"	260.35mm
B	8.00"	203.20mm
C	6.25"	158.75mm
D	19.25"	488.95mm
E	16.85"	427.99mm
F	17.00"	431.80mm
G	1.06"	26.92mm
H	2.50"	63.50mm
I	13.50"	342.90mm
J	14.50"	368.30mm
K	1.28"	32.51mm
L	1.65-15.50"	41.90-393.70mm
M	1.93"	49.02mm
N	5.28"	134.11mm
O	1.50"	38.10mm
P	1.36"	34.54mm
Q	1.06"	26.92mm



Fast & easy install low profile fixed mount with Lift-and-Lock installation

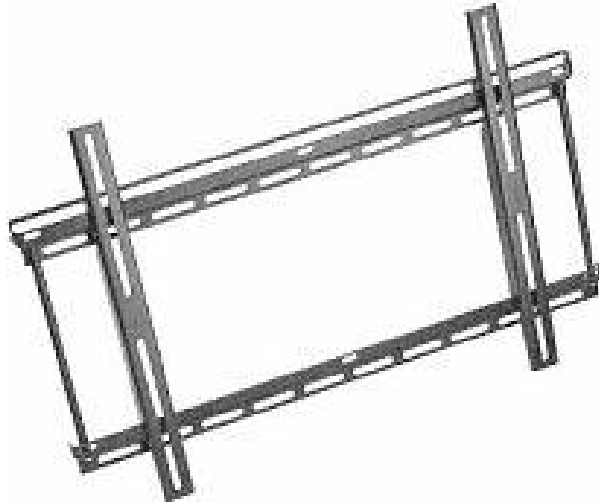
- Tilt (+15° to -5°) and sliding lateral on-wall adjustment
- Mounts to any stud separation up to 17" (432mm)
- Includes complete security mounting hardware kit
- VESA compliant 75 to 200x200
- Available in Silver and Black
- 80 lb. (36.3 kg) maximum weight capacity



FEC

QUALITY MOUNTING SOLUTIONS

FLW-37FX UNIVERSAL FLAT WALL MOUNT



FEC FLW-37FX FLAT WALL MOUNT FOR LCD/PLASMA PANELS FROM 23-37" TO 80Lbs

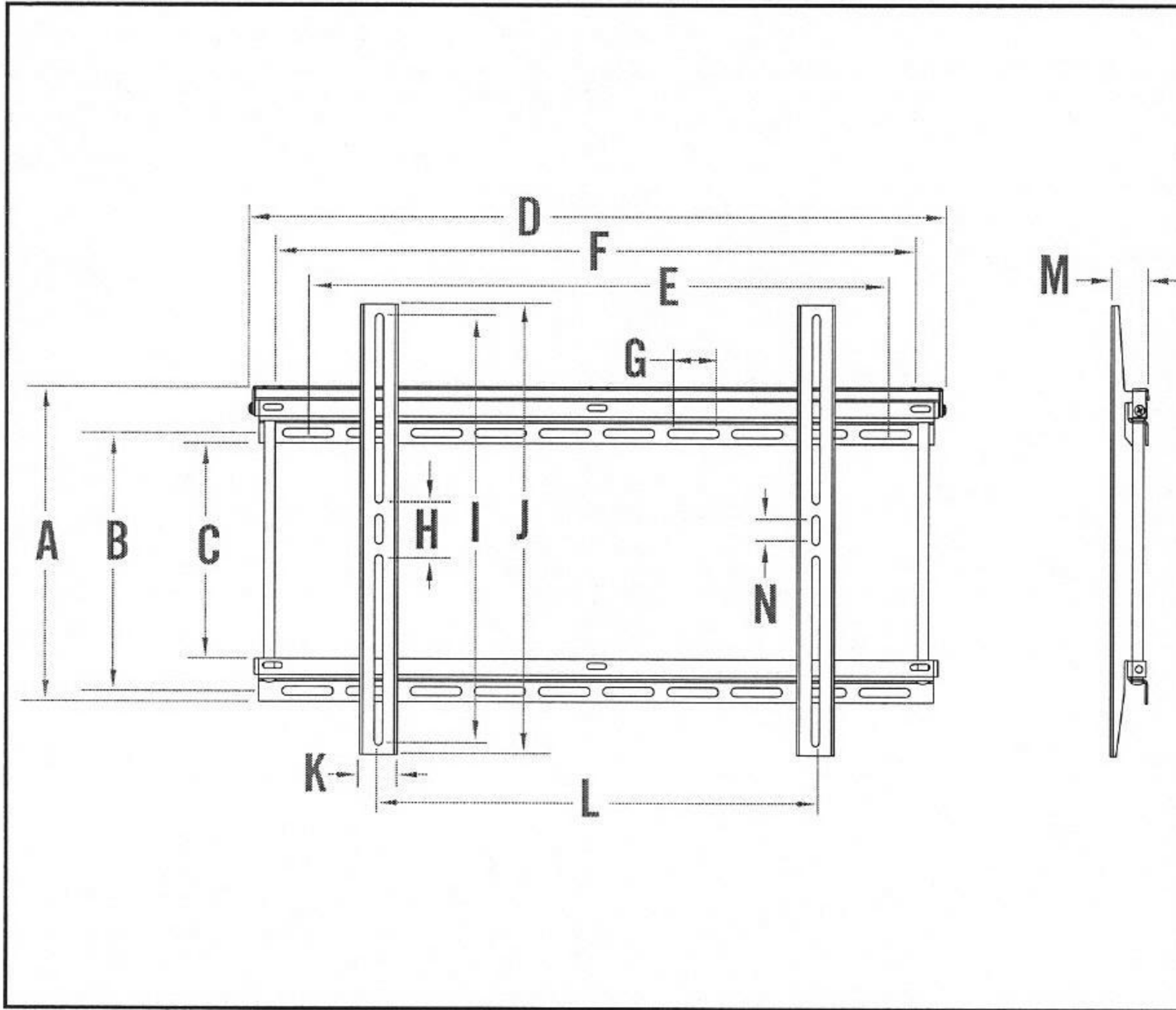
FEC MODEL FLW-37FX

- EASY AND QUICK INSTALLATION
- FIXED WALL MOUNT FOR ANY PLASMA/LCD PANELS 23-37" TO 80Lbs
- SLIDING LATERAL ADJUSTMENT
- LOW 1.75" PROFILE
- LOCKING SYSTEM FOR SECURITY AND SAFETY
- LARGE ELECTRICAL BOX OPENING

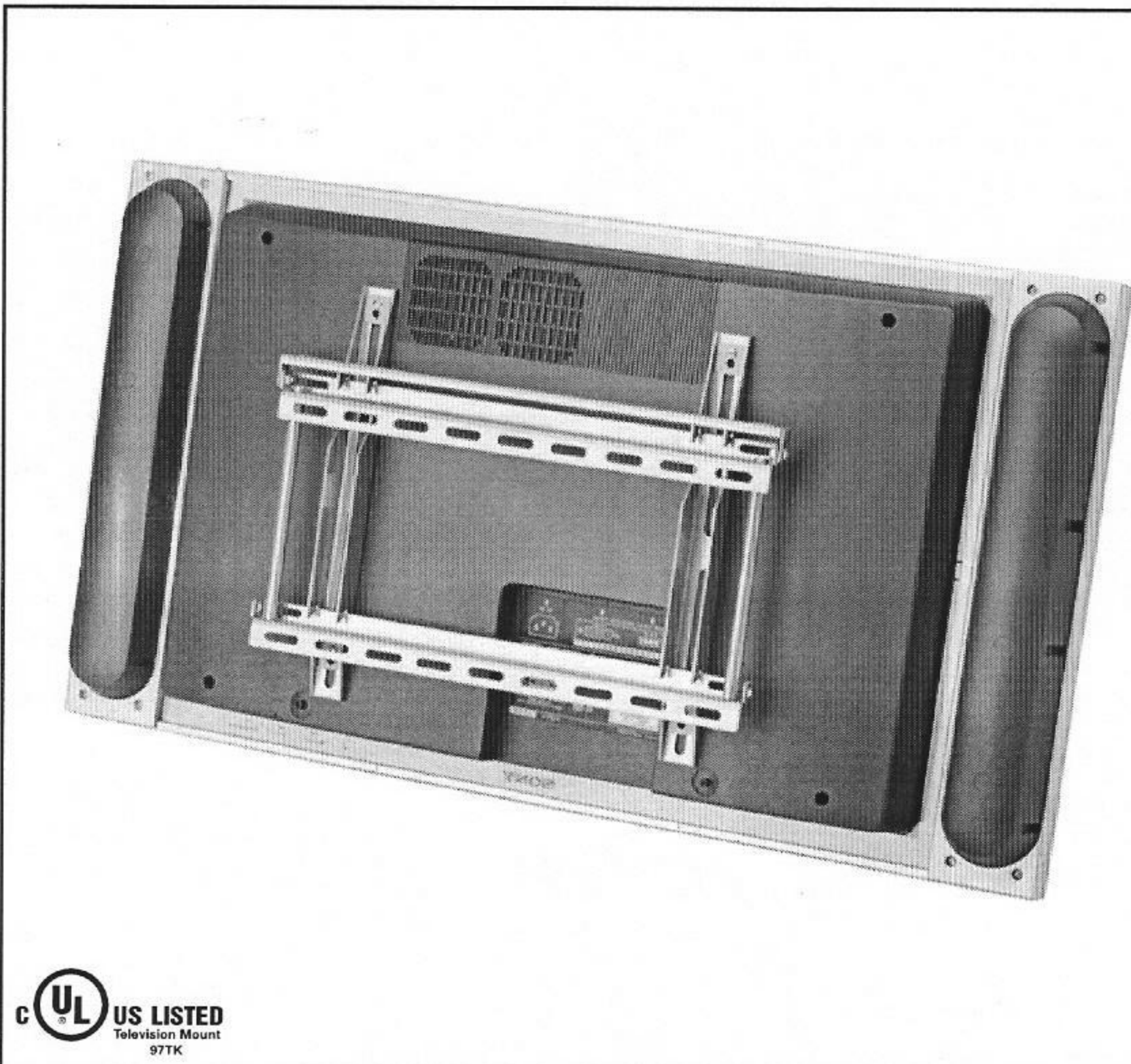
FEC

TEL 516-593-9565 FAX 516-593-9562 EMAIL doug@fecmountworld.com
PO BOX 266 ALBERTSON NY 11507

**FLW-37FX FLAT WALL
MOUNT FOR LCD/PLASMA
DISPLAYS 23-37" TO 80Lbs**



TECHNICAL SPECIFICATIONS		
A	10.25"	260.35mm
B	8.00"	203.20mm
C	6.25"	158.75mm
D	19.25"	488.95mm
E	16.85"	427.99mm
F	17.00"	431.80mm
G	1.06"	26.92mm
H	2.50"	63.50mm
I	13.50"	342.90mm
J	14.50"	368.30mm
K	1.27"	32.26mm
L	1.27-15.75"	32.3-400.1mm
M	1.63"	41.40mm
N	1.06"	26.92mm



- Fast & easy low profile fixed mount with Lift-and-Lock installation**
- Sliding lateral on-wall installation
 - Mounts to any stud separation up to 17" (432mm)
 - Includes security hardware
 - Includes complete mounting hardware kit
 - VESA compliant: 75 to 200x200
 - 80 lb. (36.29 kg) max weight capacity



FEC

QUALITY MOUNTING SOLUTIONS

FLW-37AMD CANTILEVER WALL MOUNT



FEC FLW-37AMD WALL MOUNT

FOR ALL LCD MONITORS (OR PLASMAS WITH F48UAMD ADAPTOR PLATE) UP TO 80 Lbs

FLW-37AMD

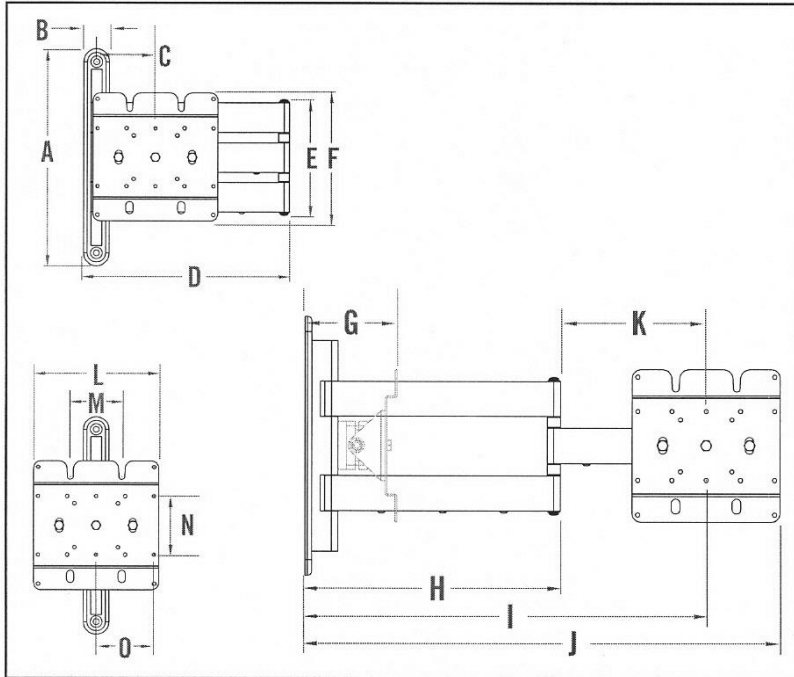
- ALLOWS LCD/PLASMA DISPLAY TO STORE FLAT AGAINST THE WALL
- 2 SWING ARMS PRE-ASSEMBLED FOR EASY AND SAFE ASSEMBLY
- MULTI-PIVOT DESIGN FOR VIEWING FLEXIBILITY
- HORIZONTAL LEVELING (ROLL CONTROL) CAPABLE
- 75/100/100x200/200x200mm VESA COMPATIBLE FOR ALL LCD DISPLAYS
- SUPPORTS LCD PANELS TO 80 Lbs (23-37")
- SUPPORTS PLASMA/NON VESA DISPLAY PANELS WITH OPTIONAL F48UAMD ADAPTOR PLATE

FEC

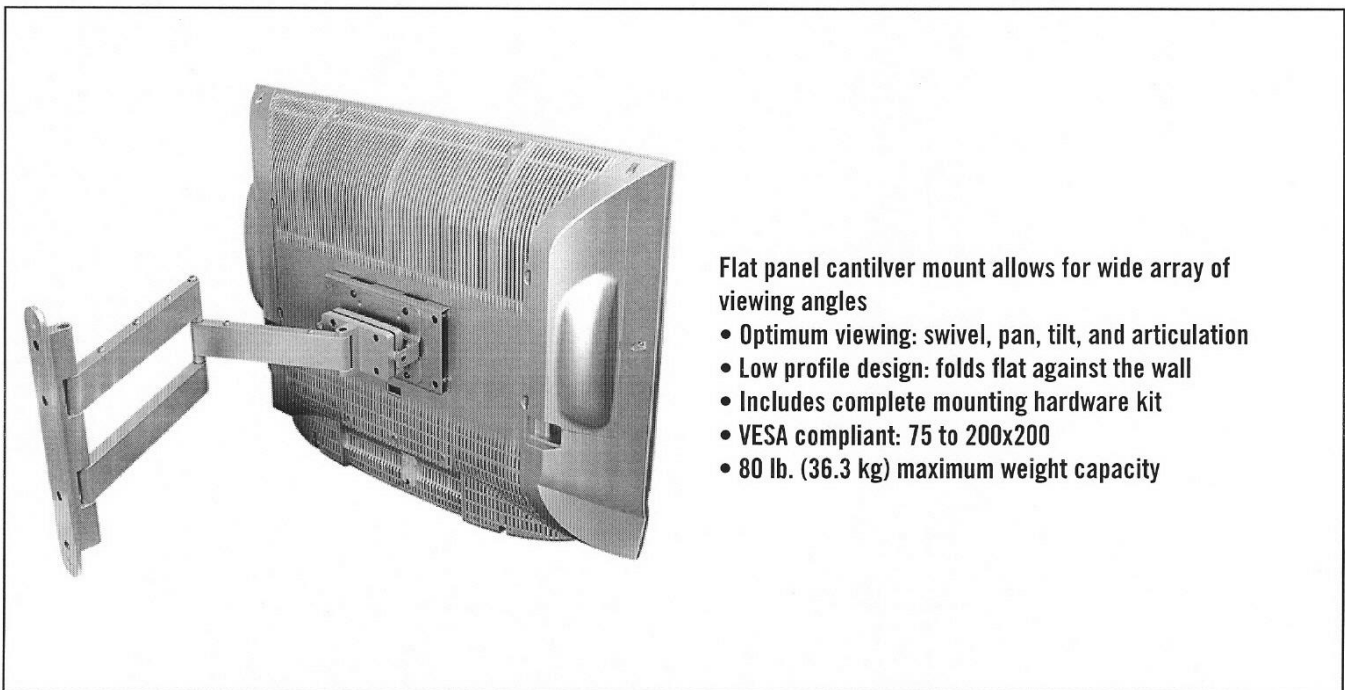
TEL 516-593-9565 FAX 516-593-9562 EMAIL doug@fecmountworld.com
PO BOX 266 ALBERTSON NY 11507

**FLW-37AMD DUAL ARTICULATING
 WALL MOUNT FOR LCD DISPLAYS
 TO 80Lbs.**

NOTE: PLASMA DISPLAYS TO 80Lbs MAY BE
 MOUNTED WITH OPTIONAL F48UAMD.

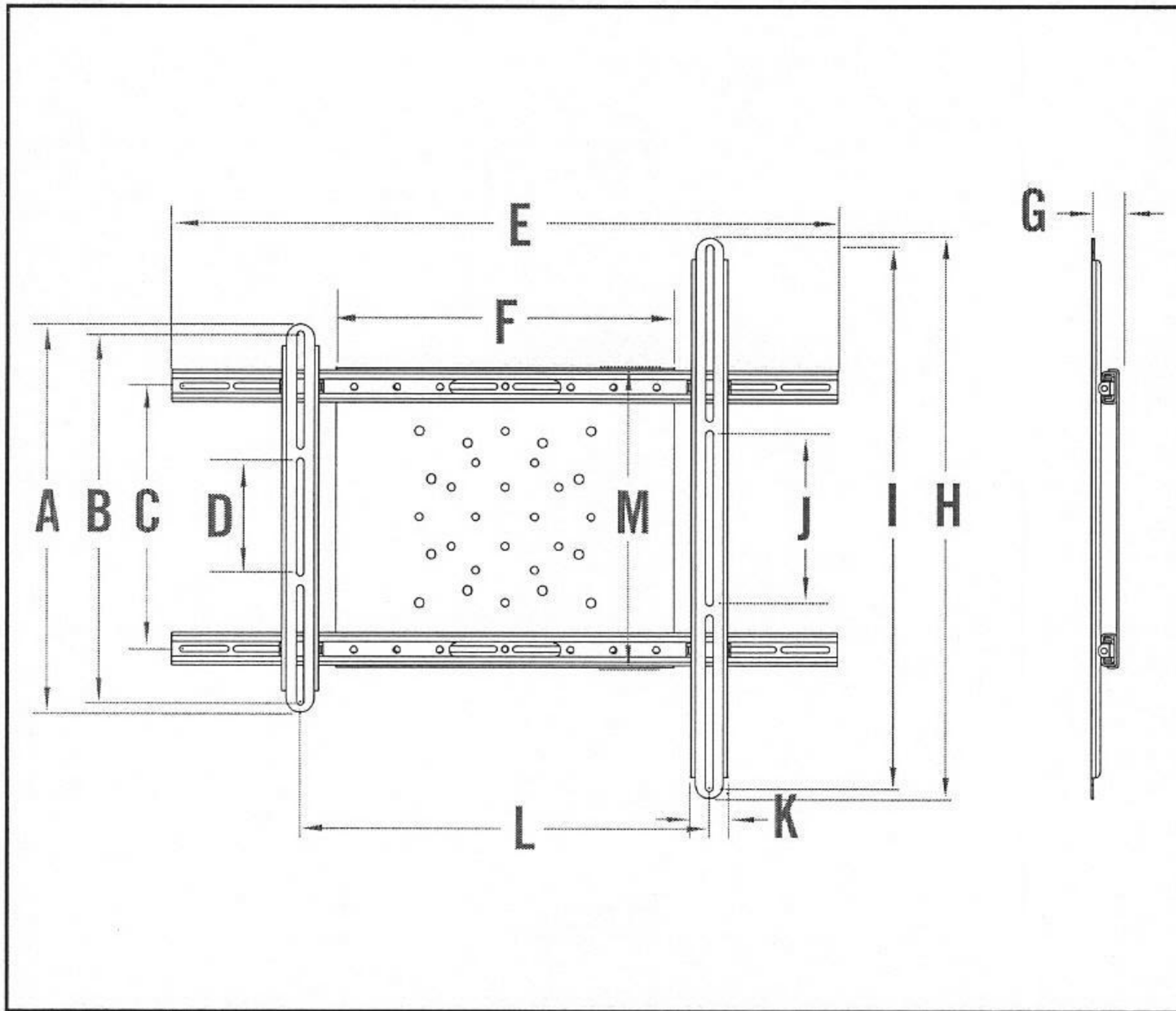


TECHNICAL SPECIFICATIONS		
A	14.69"	373.06mm
B	1.75"	44.45mm
C	3.75"	95.25mm
D	14.00"	355.60mm
E	7.31"	185.74mm
F	8.88"	225.43mm
G	3.50"	88.90mm
H	14.38"	365.13mm
I	23.13"	587.38mm
J	27.13"	688.98mm
K	8.38"	212.73mm
L	7.88"	200.00mm
M	3.50"	88.90mm
N	3.94"	100.00mm
O	3.94"	100.00mm

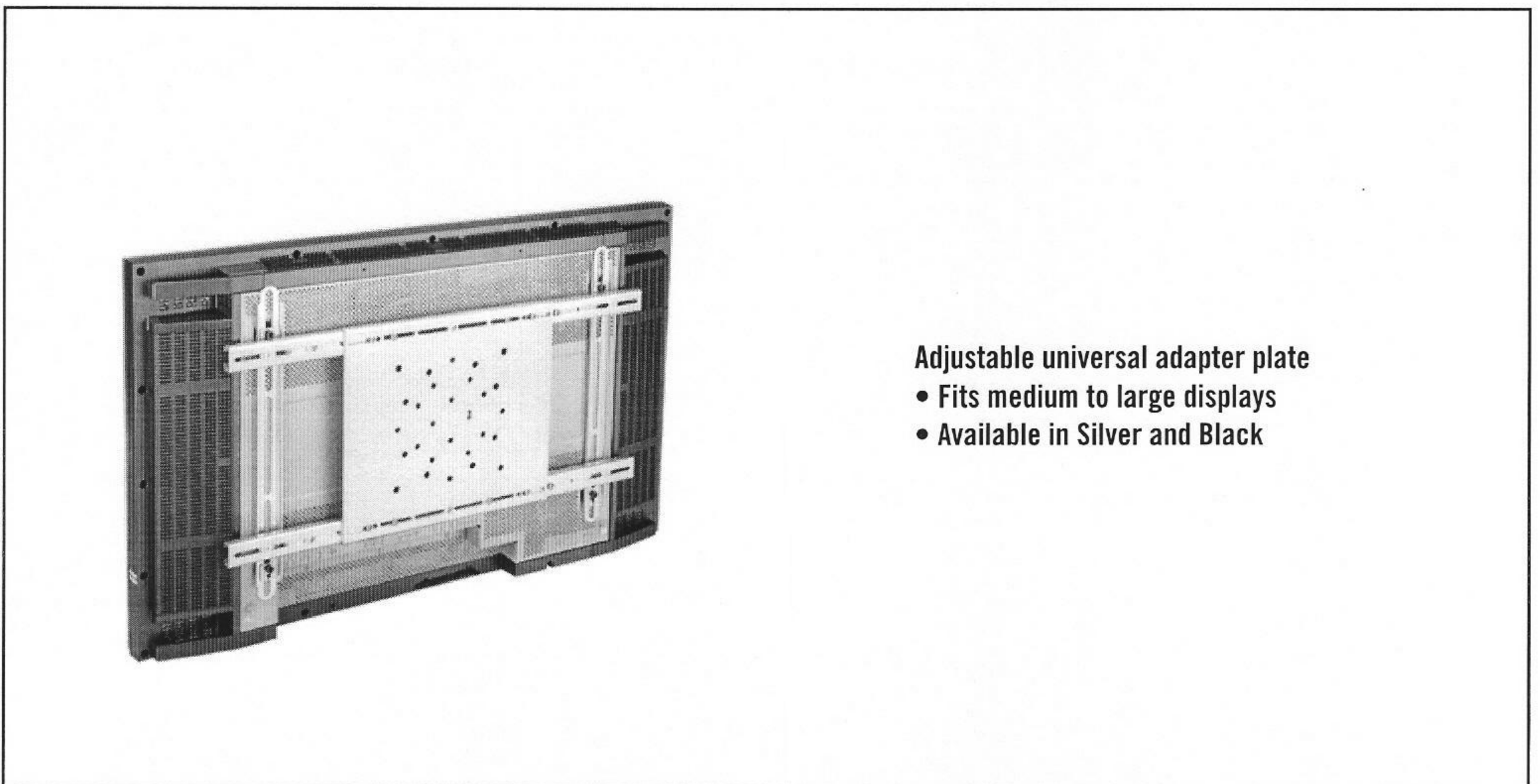


- Flat panel cantilver mount allows for wide array of viewing angles
- Optimum viewing: swivel, pan, tilt, and articulation
 - Low profile design: folds flat against the wall
 - Includes complete mounting hardware kit
 - VESA compliant: 75 to 200x200
 - 80 lb. (36.3 kg) maximum weight capacity

UNIVERSAL ADJUSTABLE ADAPTER
PART OF FLW-48AMD AND F-PL-C60 KITS
OPTIONAL FOR FLW-37AMD KIT



TECHNICAL SPECIFICATIONS		
A	18.00"	457.20mm
B	17.12"	434.85mm
C	12.38"	314.33mm
D	5.25"	133.35mm
E	31.00"	787.40mm
F	15.75"	400.05mm
G	1.30"	33.02mm
H	26.00"	660.40mm
I	25.13"	638.18mm
J	7.80"	198.12mm
K	1.71"	43.43mm
L	2.50-38.00"	63.50-965.90mm
M	14.13"	385.90mm



Adjustable universal adapter plate

- Fits medium to large displays
- Available in Silver and Black

FEC

QUALITY MOUNTING SOLUTIONS

FLW-17AMD CANTILEVER WALL MOUNT



- ALLOWS LCD TO STORE FLAT AGAINST THE WALL
- PULL OUT DUAL ARTICULATING ARMS
- DUAL ARMS PRE-ASSEMBLED FOR EASY AND SAFE ASSEMBLY
- MULTI-PIVOT DESIGN FOR VIEWING FLEXIBILITY
- 75mm AND 100mm VESA COMPATIBLE
- SUPPORTS LCD PANELS UP TO 30 Lbs

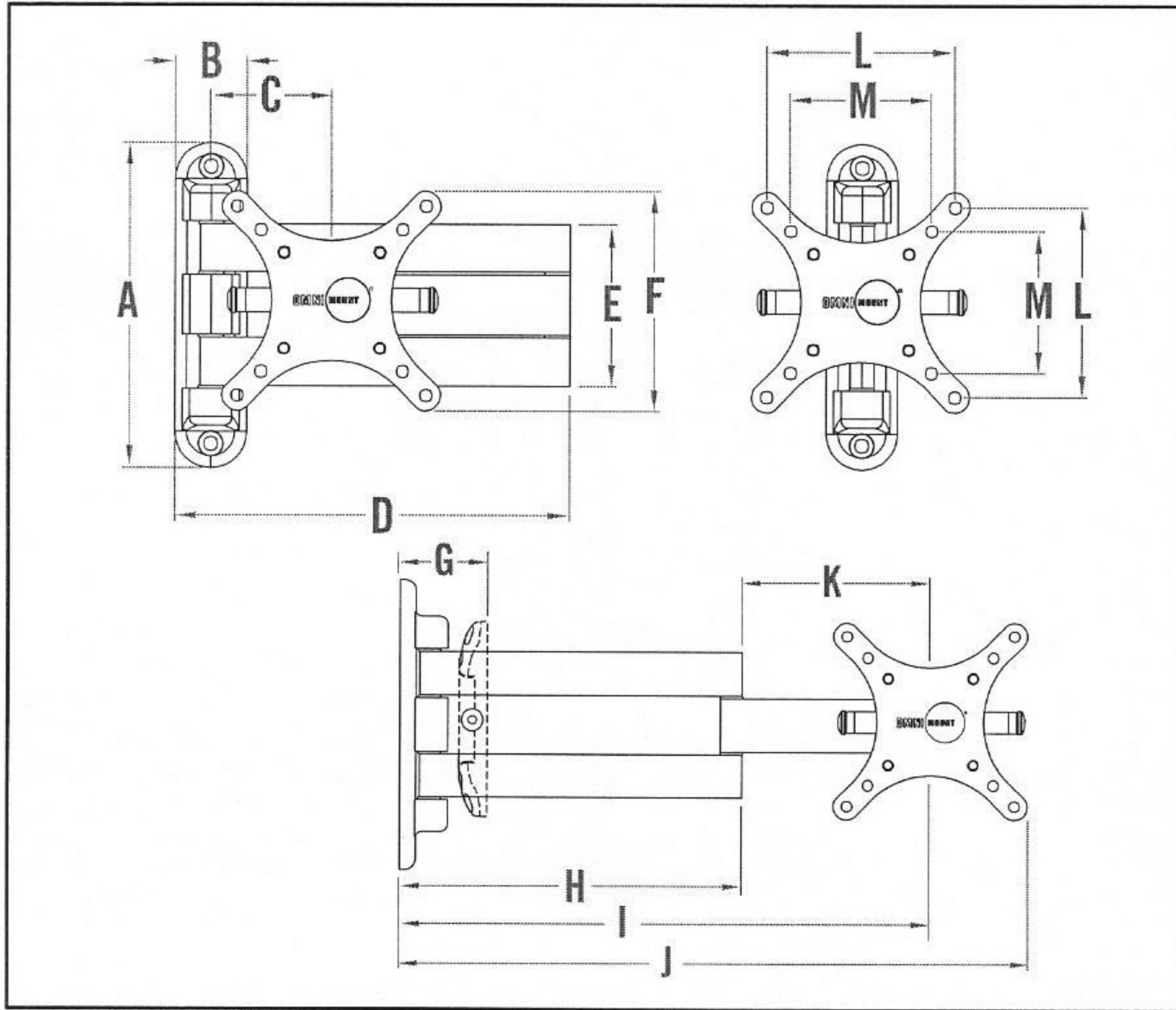
FEC

TEL 516-595-9565 FAX 516-593-9562 EMAIL doug@fecmountworld.com
PO BOX 266 ALBERTSON NY 11507

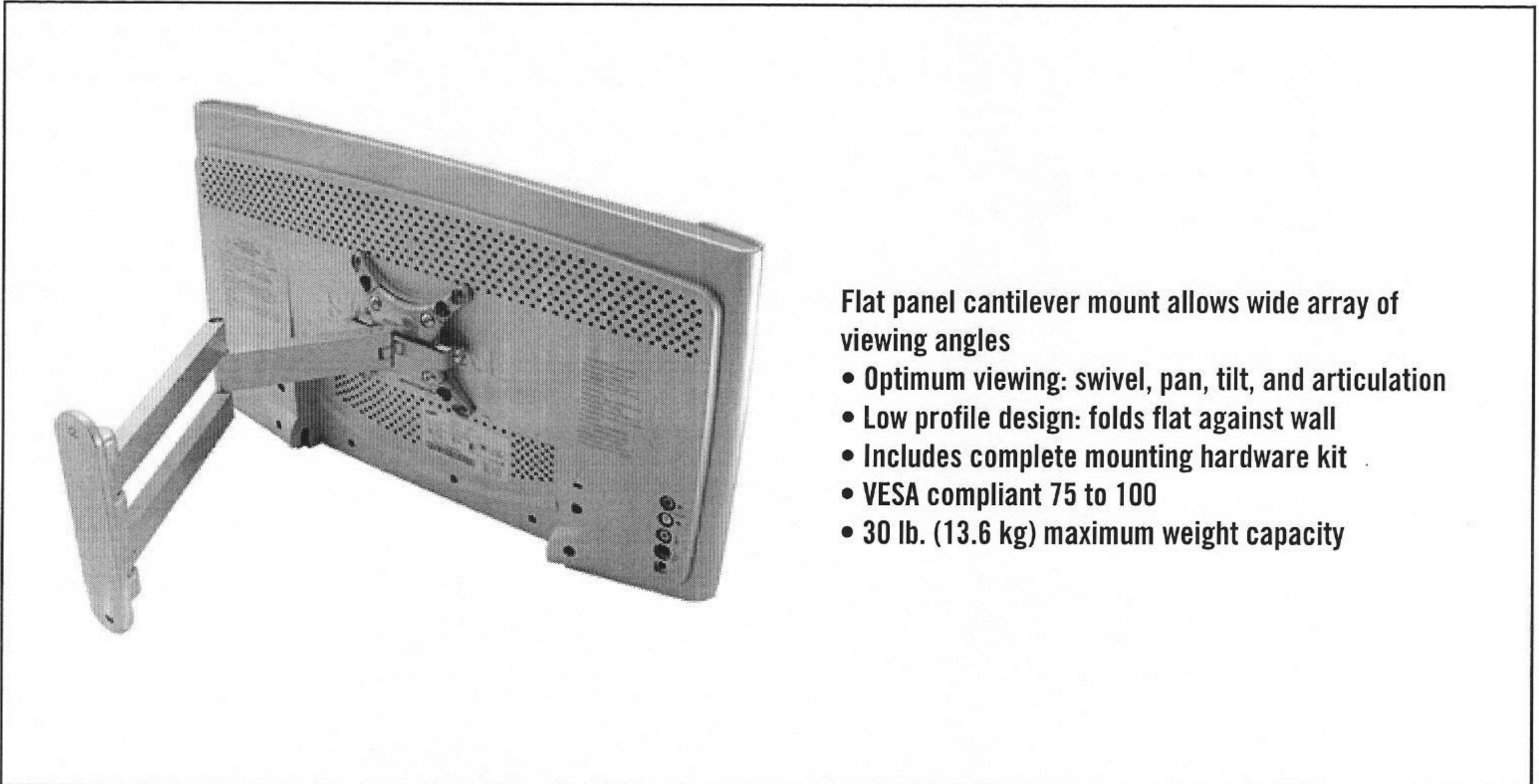
FEC

QUALITY MOUNTING SOLUTIONS

FLW-17AMD DUAL ARTICULATING ARM WALL MOUNT WITH TILT AND SWIVEL FOR LCD DISPLAY TO 30Lbs



TECHNICAL SPECIFICATIONS		
A	6.75"	171.45mm
B	1.51"	38.35mm
C	2.48"	62.99mm
D	8.50"	215.90mm
E	3.36"	85.34mm
F	4.60"	116.84mm
G	1.84"	46.74mm
H	7.47"	189.74mm
I	12.50"	317.50mm
J	13.25"	336.55mm
K	4.99"	126.75mm
L	3.94"	100.00mm
M	2.95"	75.00mm



- Flat panel cantilever mount allows wide array of viewing angles
- Optimum viewing: swivel, pan, tilt, and articulation
 - Low profile design: folds flat against wall
 - Includes complete mounting hardware kit
 - VESA compliant 75 to 100
 - 30 lb. (13.6 kg) maximum weight capacity