

Elite SCREENS

Manual-Pull Down Screen

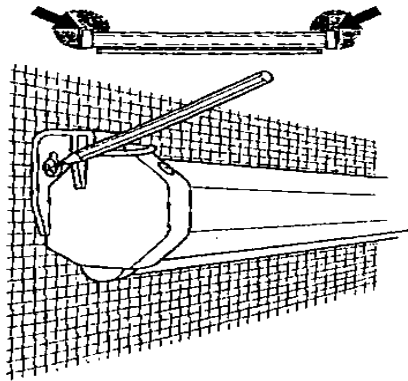
Elite Manual Series

USER'S GUIDE

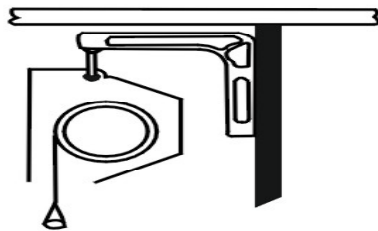
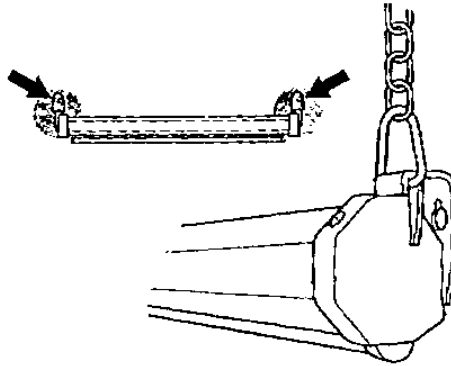


Installation

1. Mark the area from the screen mount end cap hole to the wall. Then mount the screen onto the wall (Fig 1)
 - Locate stud on wall or and mount the screen on the desired location.
 - If the stud cannot be found on the dry wall, we recommend using hollow wall anchors (can be typically purchased at a local hardware store) for screens weighing less than 40lbs.
2. You can also hang the screen on a ceiling by using a chain and connecting it to the two hanging loops located on each end of the case as depicted on the diagram. (Fig 2)



This feature available on “U” and “X” series models only.



This type of installation can be performed with “L” wall brackets and are included on applicable models.

Using the screen

1. Always pull down the screen in a 90-degree vertical motion and do not allow the screen to touch the screen case when the screen comes down. (Fig 3)

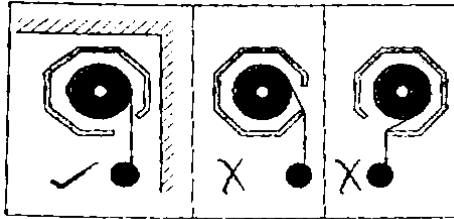


Fig. 3

2. Pull down the screen from the rope or from the handle only in a 90-degree down. (Fig. 4) Do not attempt to pull down the screen by the screen surface or touch the screen, as it will damage the screen and void the warranty.

Note: An internal auto-lock system will cause the screen to stop and lock on the position at 2-inch intervals.

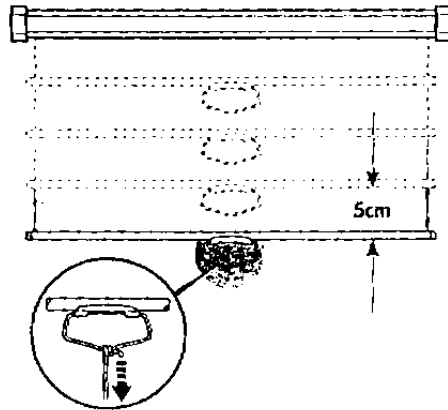


Fig. 4

3. If you want the screen to retract back, simply pull down the screen down more than 2 inches and retract the screen back by quickly and smoothly releasing it up gently. (Always release in a 90-degree angle)

Note: Improperly bringing the screen up and down will damage the screen material or rolling system.

Contact info:

EliteSCREENS, Inc
www.elitescreens.com
service@elitescreens.com