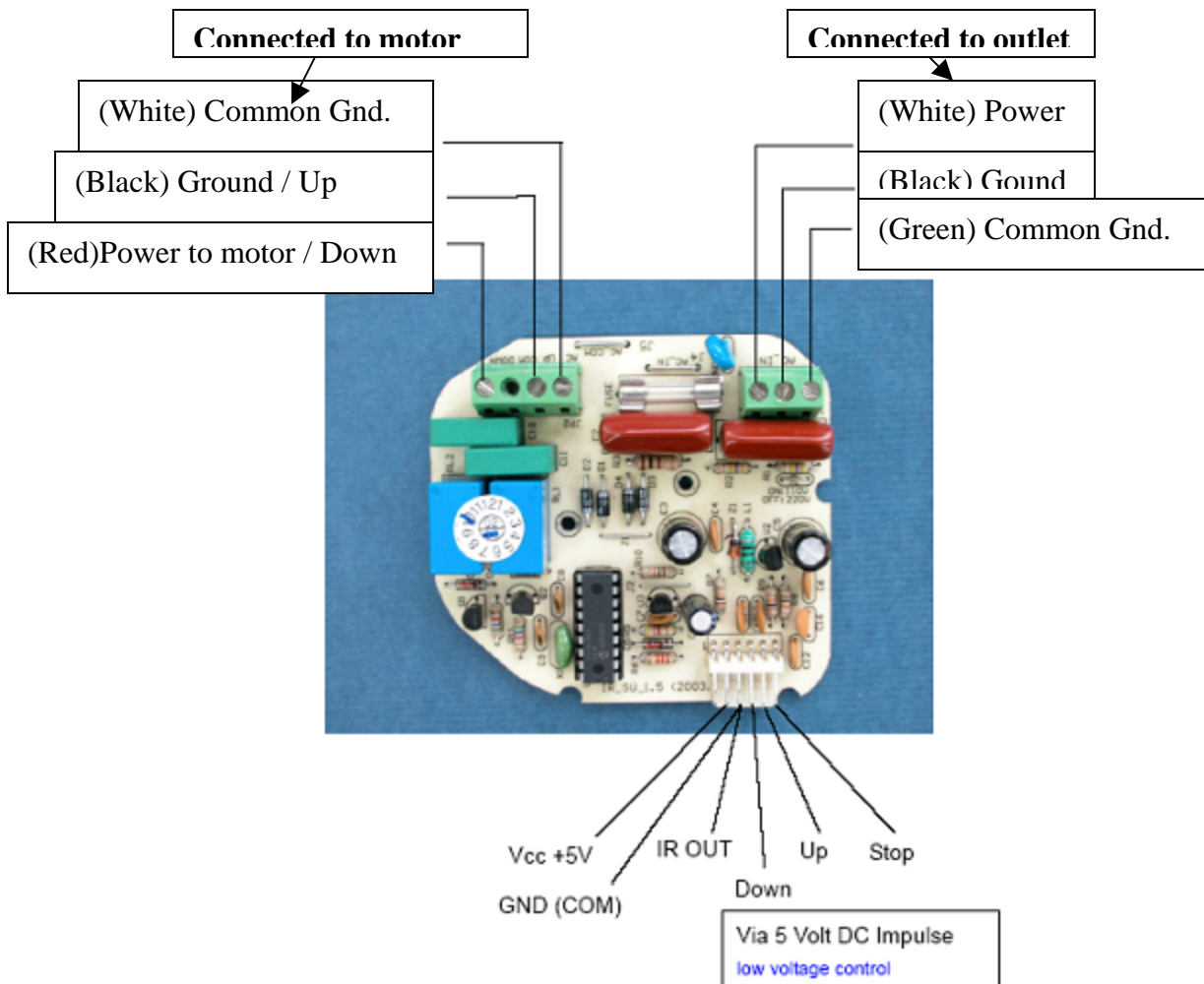
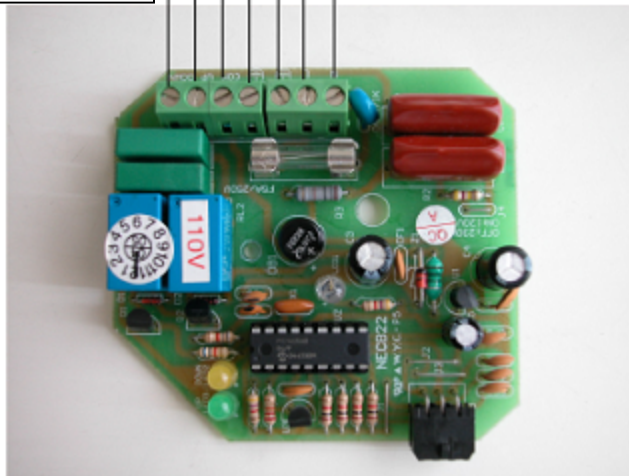
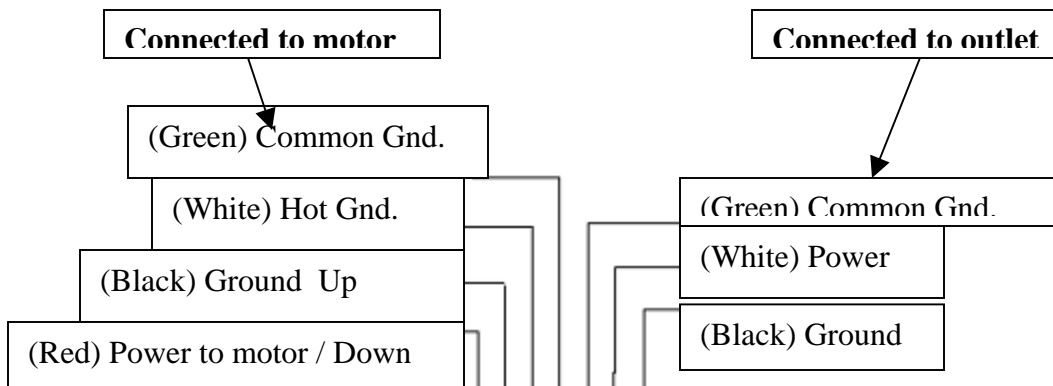


Home series circuit board Version 1#



Home series circuit board Version 2#



Via 5 Volt DC Impulse
low voltage control

