

Elite SCREENS

Ez-Electric Screen

Elite Vmax Series

-TYPE C-

USER'S GUIDE



MATTE WHITE

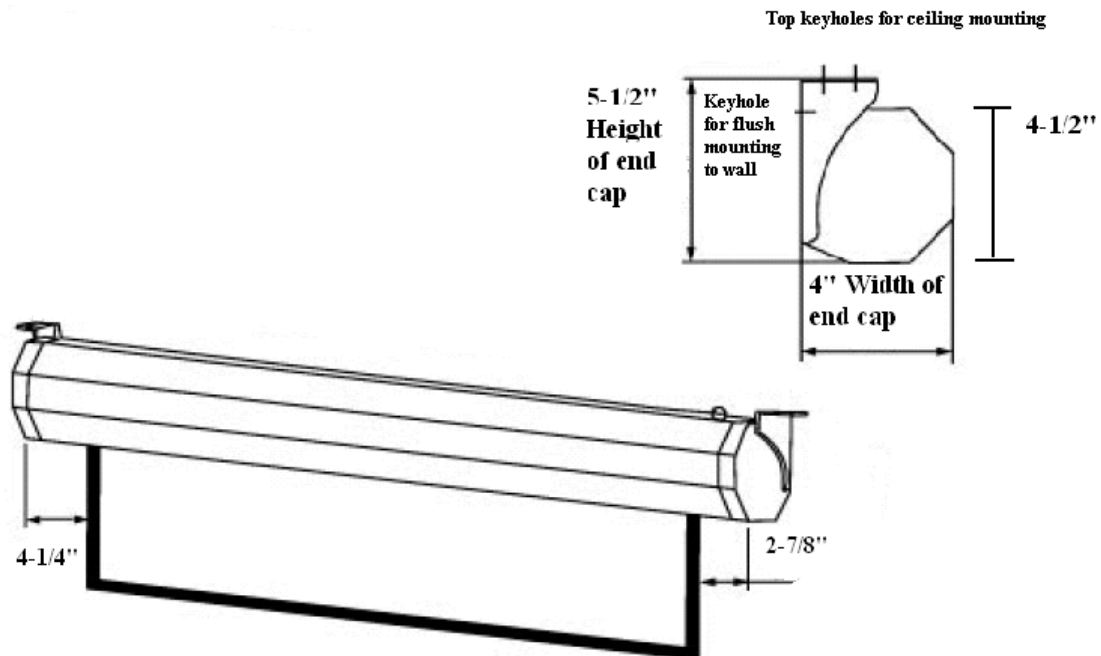
IMPORTANT SAFETY INSTRUCTIONS

1. Position the power cord so it will not be tripped over, pulled, or near a hot area or surface.
2. To avoid an electric shock, do not attempt to disassemble this appliance yourself. Contact Elite's Screens service dept. for help with repairing your screen.
3. Please disconnect the power supply when screen is not in use for a long time.

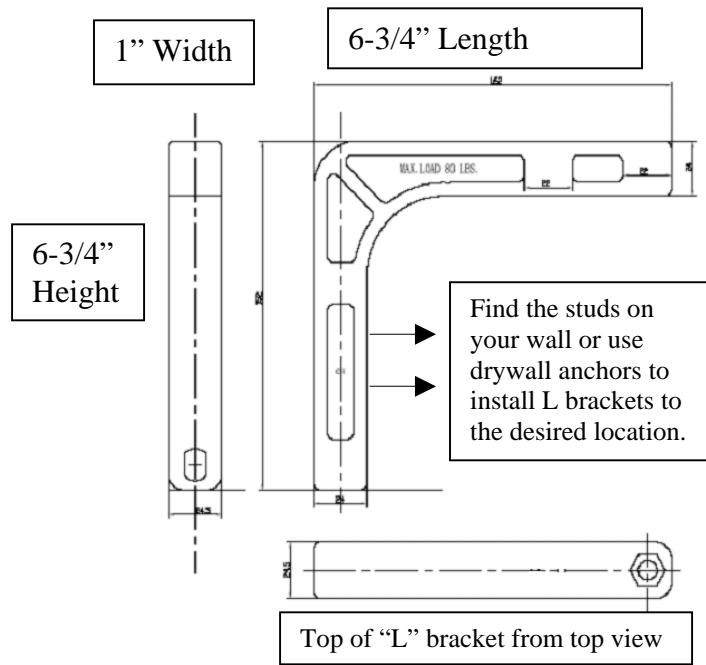
PRE-INSTALLATION

1. Carefully unpack the screen.
2. Always handle the screen in a leveled position on a clean surface.
3. Do not attempt to use the screen if there are obvious damages or broken parts to avoid injury and/or an electric shock.

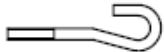
INSTALLATION



“L” Brackets diagram




Accessories For “L” Bracket

a:  X 2

b:  X 4

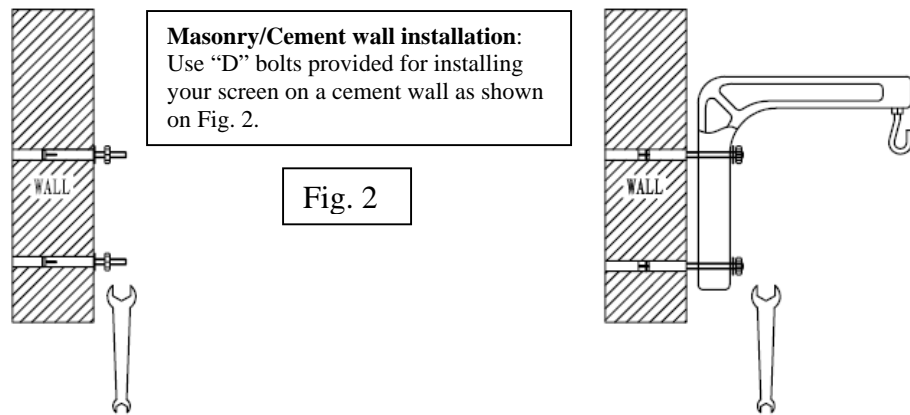
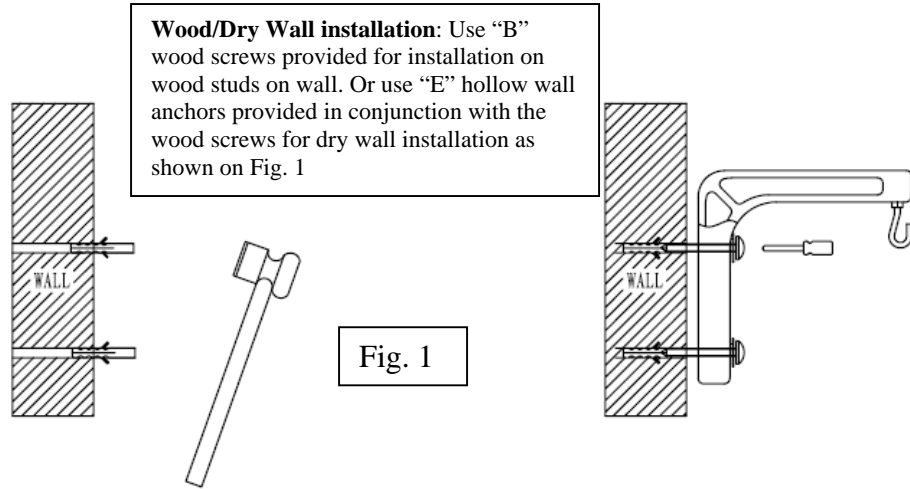
c:  X 2

d:  X 4

e:  X 4

f:  X 4

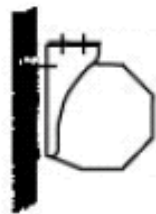
“L Brackets Installation



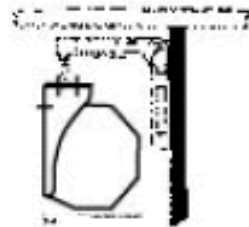
Please note these are only examples and additional hardware may be required for your particular installation.

EXAMPLES OF MOUNTING YOUR SCREEN

A. Wall mounted without L brackets



B. Wall mounted using L brackets



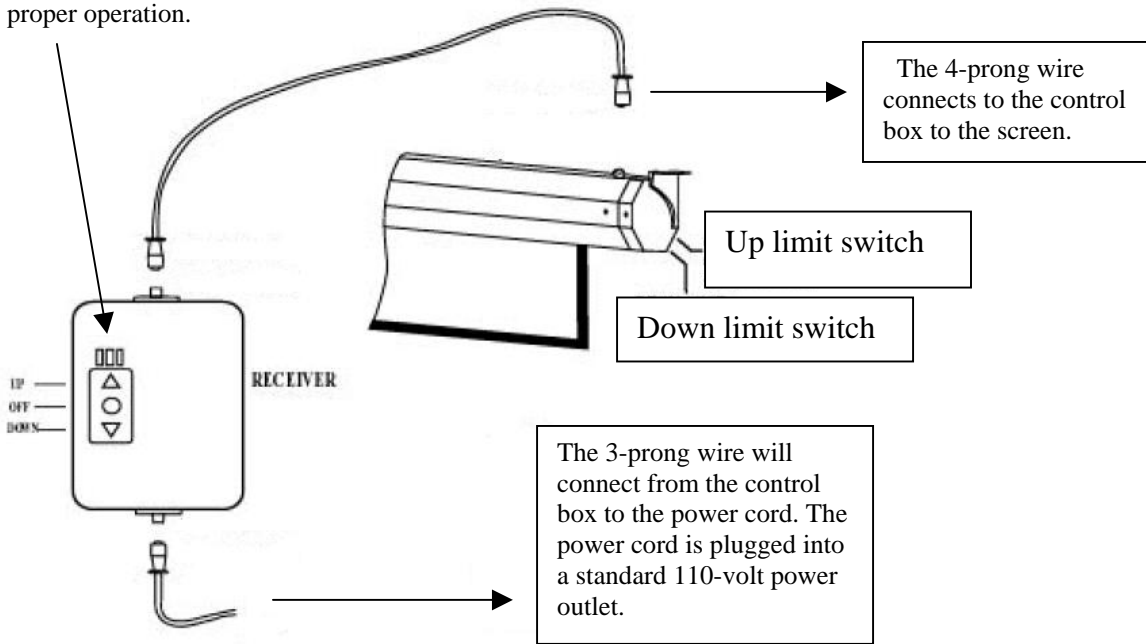
OPERATION

Remote Control System:

Line Switch: Manual 3-way wall switch for your new Elite Screen with wireless IR and RF remote.

1. This is the control box connection to your new Elite Screen. First insert the 3-prong cable (Pins) to the bottom of the control box. Then connect the cord with the 4-prong cable (Pins) into the top end of the control box. The other end of the 4-prong cable (Pins) will need to go to the screen's case. Please see example below.

This is the eye sensor for the **IR** remote
You will have to aim directly to it for proper operation.

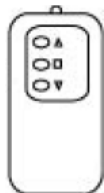


Note: Always press the “stop” button first, then press “up” or “down” as needed.

2. This is the **IR** remote (Infra Red) with a range of 25 to 30 Ft.

(Infra Red)

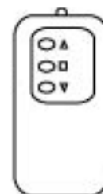
Note: The light on this remote does not turn on when the buttons are depressed unlike the RF remote.



3. This is the **RF** remote with a range of 250 to 300 Ft.

(Radio Frequency)

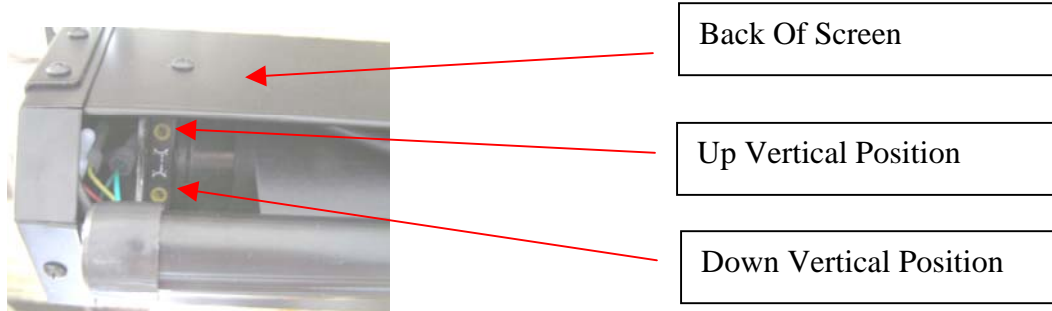
Note: The RF remote can be identified by the letter on the back (ex. A).



Vertical Limit Switch Adjustment

Caution:

Screen may be severely damaged if viewing surface is allowed to run too far UP/DOWN.



Your screen has been set to drop all the way down and to rise all the way up. However, in the event that your screen does not please use the instructions below to adjust the drop/rise to the desired position.

Note: You will require a 5/32" allen-wrench to perform the adjustments below

“UP” Vertical Position Adjustment

1. Insert the allen-wrench into the top keyhole, turning the allen-wrench clockwise will allow the screen to retract to it's original position.
Note to self: You will not notice a difference of this adjustment until you press the DOWN button then up to see the differences.
2. Turning the allen wrench half a circle counterclockwise will cause the screen to stop further out of the screen's case.

“DOWN” Vertical Position Adjustment

1. Insert the allen-wrench into the bottom keyhole, turning the allen-wrench one full circle counterclockwise to limit the black masking border level.
Note to self: Only if screen does not extend to desired position.
2. Turning the allen-wrench one full circle clockwise will allow the screen to drop down the black masking border.
3. Turning the allen-wrench one full circle clockwise will allow the screen to drop down the black masking border.

TROUBLESHOOTING

If the electric screen does not move, please check the following:

1. Check the power supply and fuse first. The screen will not move without power.
2. Make sure the power cord is plugged to the power outlet.
3. Check all cable connections to see any may be disconnected.
4. If the screen works well with the line switch but not with the remote control, please make sure the remote controls have batteries or replace them with new ones.

FAQ's

1. Q: How is the Matte White screen material cleaned?
A: The Matte White screen material can be cleaned with mild soap and water.

2. Q: What type of batteries do the remote controls require?
A: The IR and RF remote controls use AAA alkaline batteries

3. Q: Can you manually pull down the screen?
A: Absolutely not, manually pulling down the screen will damage the electronic motor rolling system.

4. Q: Can the electric screen be used in a 220-volt outlets?
A: No, the screen can only be used in 110-volt outlets.

5. Q: What is the gain on the matte white screen material?
A: The matte white material has a gain of 1.0.

NOTE:

Regardless of mounting method, screen should be securely supported so that vibration or even abusive pulling on the viewing surface will not cause case to work loose or fall. Installer must insure that fasteners used are of adequate strength and suitable for the mounting surface chosen.

Fill this in!!

**For the convenience of service, record the following information in the space below.
The serial number can be located on the packaging box or on an end cap.**

Screen Model:

Serial Number:

Date of Purchase:

Dealer / Reseller Purchased from: