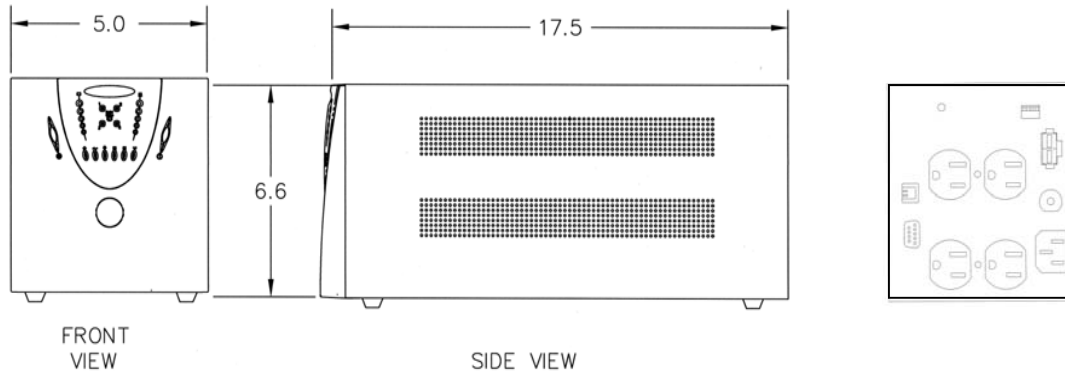


North American Uninterruptible Power Managers “B” Case Enclosure



	UPM-420NA Part # E54042-02R
Type	Standard
VA Rating	420
Watt Rating	294
Inverter Waveform	Low distortion sine wave
Transfer time	4 ms. typical
Frequency	60 Hz.
BTU/Hr. Output	100
T.H.D. Max. %	<3% on battery
On Line Efficiency	93%
Input Voltage	120
Input Current	4.1 amps
Output Voltage	120
Output Current	3.5 amps
Input Voltage Range Without Using Battery	96—151 volts
Output Regulation (on line)	± 10%
Output Regulation (on battery)	± 5%
Backup time (full/half load)	6/20 minutes
Wall mountable	Yes
Communications Interface	DB9, USB
Compliance	UL1778, cUL1778, RoHS
Shipping Weight (lbs.)	31

Front Panel Controls

- Power On/Off
- Test
- Load Level LED Gauge
- Battery Charge LED Gauge
- Output receptacle status
- Voltage Manager Boost LED
- Voltage Manager Nominal LED
- Voltage Manager Buck LED
- On Battery LED
- Replace Battery LED
- Overload LED

Rear Panel Information and Controls

- 6 foot power cord with NEMA 5-15P plug
- Six (6) NEMA 5-15R receptacles controllable via Communications Manager software in two groups
- Configuration Manager DIP switches
- Communications Manager DB9 and USB ports
- Circuit Breaker
- AC Inlet Module
- Battery enable plug (also enables cold start on battery)
- Site Wiring Fault LED

Internal Batteries

- User hot-swappable (see instruction manual)
- Type - 12 volt, 4.5 amp-hour (500 VA)
12 volt, 7 amp-hour (800 VA)
- Quantity - 2 pieces
- Recharge time - 4 hours

Environmental

- Temperature - 0 - +40⁰ C (32 - 104⁰F) Operating
-20 - +60⁰ C (-40 - +140⁰ F) Shipment,
Storage
- Humidity - 5 - 90% non-condensing (Operating,
Shipment, Storage)
- Altitude - 3,000m (10,000 ft.) max. (Operating,
Shipment, Storage)

Note 1

Will operate at 50 Hz when used at 100 volts. When used at 100 volts, maximum output current still applies. VA rating is reduced approximately 17%.

NOISE REJECTION-ISOLATION: With unit under power and an ANSI/IEEE C62.41Cat. A pulse applied either normal or common mode at the input, the noise output voltage will be less than 10V normal mode (-60 db) and less than 0.5V common mode (greater than -80 db from 1 Hz. to 5 MHz.) in all four quadrants (CM-NM, NM-NM, CM-CM, NM-CM).

SURGE VOLTAGE WITHSTAND CAPABILITY: Tested under power to ANSI/IEEE C62.41 Cat. A & B (formerly IEEE587-1980). Cat. A - 6000V @ 200 amps, 0.5 usec risetime, 100 kHz decay, Cat. B - 6000V @ 500 amps, 0.5 usec risetime, 100 kHz decay.

Warranty/Support: ETA Systems warrants the electronics and transformers used in its uninterruptible power managers to be free from defects in materials and workmanship for a period of five years from the date of shipment. Batteries are warranted for a period of two years from the date of shipment. For service or support on any ETA Systems product, please contact ETA Systems Technical Support at (800) 321-6699.