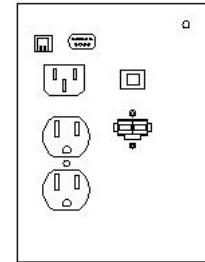
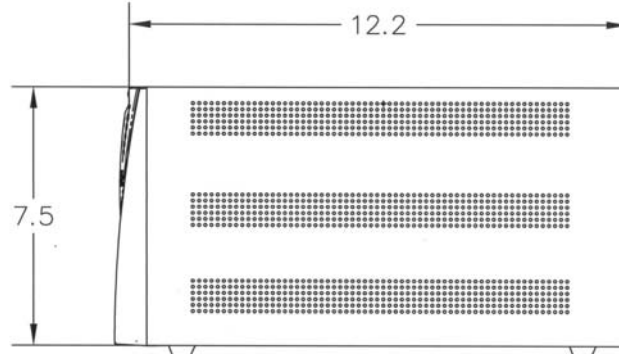
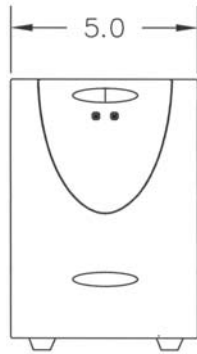


North American Uninterruptible Power Managers "A" Case Enclosure



	UPM-240NA E54024-01GR
Type	Standard
VA Rating	240
Watt Rating	168
Inverter Waveform	Low distortion sine wave
Transfer time	4 ms. typical
Frequency	60 Hz.
BTU/Hr. Output	90
T.H.D. Max. %	<3% on battery
On Line Efficiency	90%
Input Voltage	120
Input Current	2.5 amps
Output Voltage	120
Output Current	2.0 amps
Input Voltage Range Without Using Battery	96—151 volts
Output Regulation (on line)	± 10%
Output Regulation (on battery)	± 5%
Backup time (full/half load)	6/20 minutes
Wall mountable*	No
Communications Interface	DB9, USB
Compliance	UL 1778, cUL 1778, RoHS
Shipping Weight (lbs.)	25

Front Panel Controls

- Power On/Off
- Test
- On Line
- On Battery LED

Rear Panel Information and Controls

- 6 foot power cord with NEMA 5-15P plug
- Two (2) NEMA 5-15R receptacles
- Communications Manager DB9 port, USB Port
- Circuit Breaker
- AC Inlet Module
- Site Wiring Fault LED
- Battery Enable Plug

Internal Batteries

- User hot-swappable (see instruction manual)
- Type - 12 volt, 4.5 amp-hour
- Quantity - 2 pieces
- Recharge time - 6 hours

Environmental

- Temperature - 0 - +40° C (32 - 104°F) Operating
-20 - +60° C (-40 - +140° F) Shipment, Storage
- Humidity - 5 - 90% non-condensing (Operating, Shipment, Storage)
- Altitude - 3,000m (10,000 ft.) max. (Operating, Shipment, Storage)

NOISE REJECTION-ISOLATION: With unit under power and an ANSI/IEEE C62.41Cat. A pulse applied either normal or common mode at the input, the noise output voltage will be less than 10V normal mode and less than 0.5V common mode in all four quadrants (CM-NM, NM-NM, CM-CM, NM-CM).

SURGE VOLTAGE WITHSTAND CAPABILITY: Tested under power to ANSI/IEEE C62.41 Cat. A & B (formerly IEEE587-1980). Cat. A - 6000V @ 200 amps, 0.5 usec risetime, 100 kHz decay, Cat. B - 6000V @ 500 amps, 0.5 usec risetime, 100 kHz decay.

Warranty/Support: ETA Systems warrants the electronics and transformers used in its uninterruptible power managers to be free from defects in materials and workmanship for a period of five years from the date of shipment. Batteries are warranted for a period of two years from the date of shipment. For service or support on any ETA Systems product, please contact ETA Systems Technical Support at (800) 321-6699.