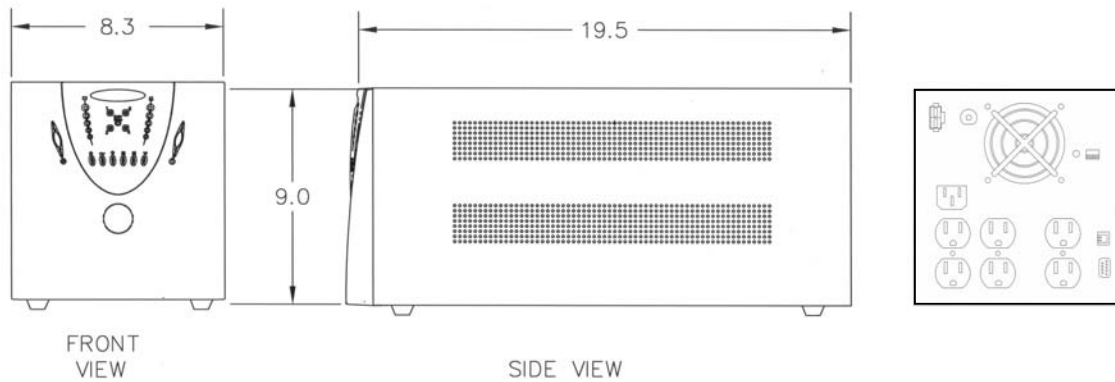


North American Uninterruptible Power Managers “D” Case Enclosure



	UPM-1100NA Part # - E54110-03R	UPM-1440NA Part # -E54144-03R
Type	Standard	Standard
VA Rating	1100	1440
Watt Rating	770	1008
Inverter Waveform	Low distortion sine wave	Low distortion sine wave
Transfer time	4 ms. typical	4 ms. typical
Frequency	60 Hz.	60 Hz.
BTU/Hr. Output	225	250
T.H.D. Max. %	<3% on battery	<3% on battery
On Line Efficiency	94%	94%
Input Voltage	120	120
Input Current	9.5 amps	12.0 amps
Output Voltage	120	120
Output Current	9.0 amps	12.0 amps
Input Voltage Range Without Using Battery	96—151 volts	96—151 volts
Output Regulation (on line)	± 10%	± 10%
Output Regulation (on battery)	± 5%	± 5%
Backup time (full/half load)	6/20 minutes	6/20 minutes
Wall mountable*	Yes	No
Communications Interface	DB9, USB	DB9, USB
Compliance	UL1778, cUL1778, RoHS	UL1778, cUL1778, RoHS
Shipping Weight (lbs.)	65	69

Front Panel Controls

- Power On/Off
- Test
- Load Level LED Gauge
- Battery Charge LED Gauge
- Output receptacle status
- Voltage Manager Boost LED
- Voltage Manager Nominal LED
- Voltage Manager Buck LED
- On Battery LED
- Replace Battery LED
- Overload LED

Rear Panel Information and Controls

- 6 foot power cord with NEMA 5-15P plug
- Six (6) NEMA 5-15R receptacles controllable via Communications Manager software in three groups
- Configuration Manager DIP switches
- Communications Manager DB9 and USB ports
- Circuit Breaker
- AC Inlet Module
- Battery Enable Plug(s) (also allows cold starting UPM on internal battery when no AC power is present)
- Site Wiring Fault LED

Internal Batteries

- User hot-swappable (see instruction manual)
- Type - 12 volt, 11 amp-hour (1100 VA)
12 volt, 7 amp-hour (1440 VA)
- Quantity - 2 pieces (1100 VA), 4 pieces (1440 VA)
- Recharge time - 4 hours

Environmental

- Temperature - 0 - +40⁰ C (32 - 104⁰F) Operating
-20 - +60⁰ C (-40 - +140⁰ F) Shipment,
Storage
- Humidity - 5 - 90% non-condensing (Operating,
Shipment, Storage)
- Altitude - 3,000m (10,000 ft.) max. (Operating,
Shipment, Storage)

Note 1

Will operate at 50 Hz when used at 100 volts. When used at 100 volts, maximum output current still applies. VA rating is reduced approximately 17%

NOISE REJECTION-ISOLATION: With unit under power and an ANSI/IEEE C62.41Cat. A pulse applied either normal or common mode at the input, the noise output voltage will be less than 10V normal mode (-60 db) and less than 0.5V common mode (greater than -80 db from 1 Hz. to 5 MHz.) in all four quadrants (CM-NM, NM-NM, CM-CM, NM-CM).

SURGE VOLTAGE WITHSTAND CAPABILITY: Tested under power to ANSI/IEEE C62.41 Cat. A & B (formerly IEEE587-1980). Cat. A - 6000V @ 200 amps, 0.5 usec risetime, 100 kHz decay, Cat. B - 6000V @ 500 amps, 0.5 usec risetime, 100 kHz decay.

Warranty/Support: ETA Systems warrants the electronics and transformers used in its uninterruptible power managers to be free from defects in materials and workmanship for a period of five years from the date of shipment. Batteries are warranted for a period of two years from the date of shipment. For service or support on any ETA Systems product, please contact ETA Systems Technical Support at (800) 321-6699.