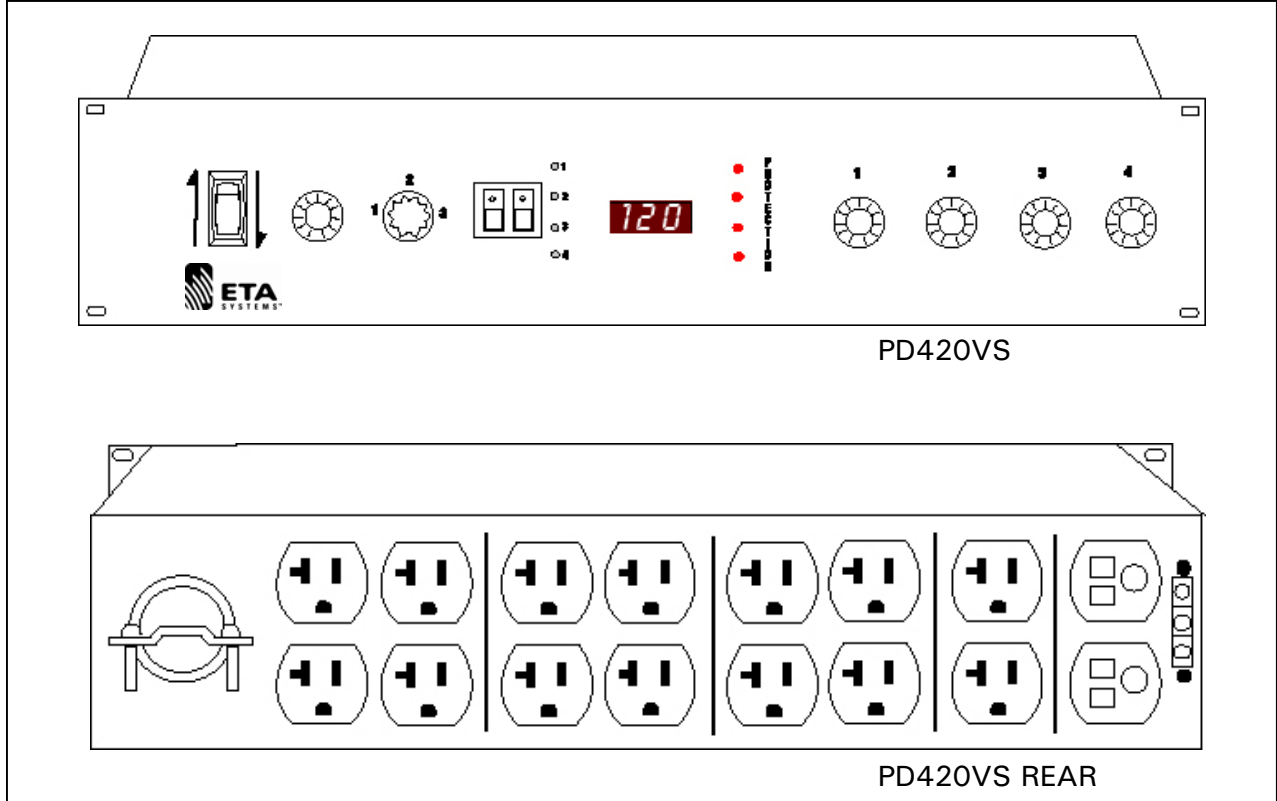
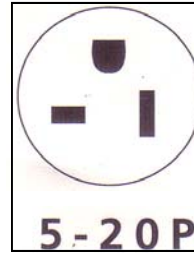


North American Power Distribution

Power Sequencing. 19" Wide. 2U High.



Model #	Amps/Watts	Receptacles	Always-on Receptacles	Rack Lights	Metering	Watchdog LEDs	Linkable	Depth (inches)	Shipping Weight (lbs)
PD420VS	80/9600	14			+		+	12"	21



Warranty/Support: ETA Systems warrants its power conditioners against defects in materials and workmanship for a period of three years from the date of shipment. For service or support on any ETA Systems product, please contact ETA Technical Support at (800) 321-6699.