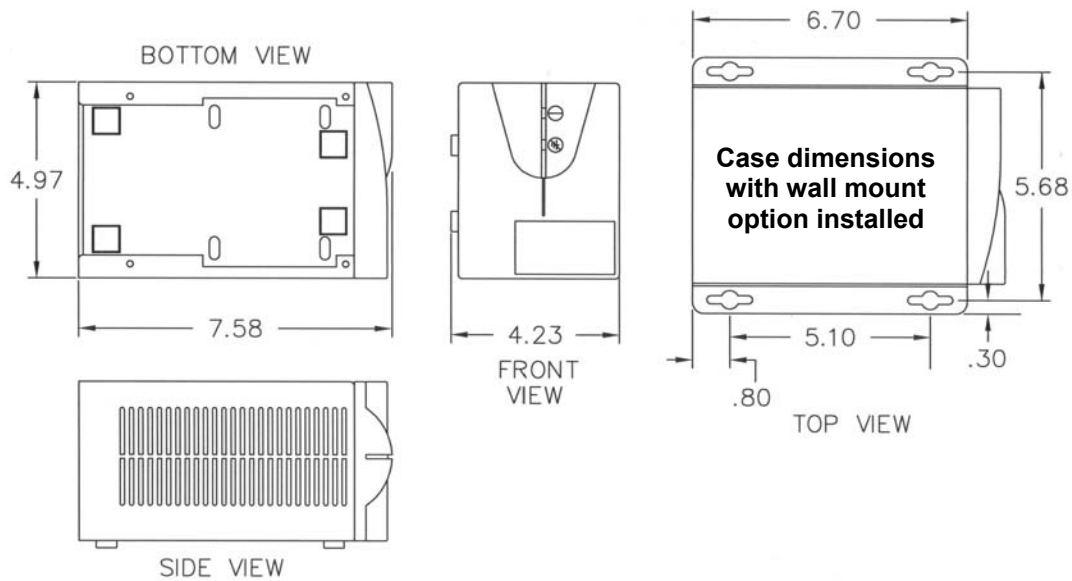


North American Power Conditioners - "B" Case Enclosure



| | PCI-152NA* Part # E61025-XX**R | PCI-202NA* Part # E61026-XX**R | PCI-302NA* Part # E61036-XX**R | PCI-402NA* Part # E61048-XX**R |
|------------------------------------------|------------------------------------------|------------------------------------------|------------------------------------------|------------------------------------------|
| VA Rating | 180 | 240 | 360 | 480 |
| Frequency | 60 Hz. | 60 Hz. | 60 Hz. | 60 Hz. |
| BTU/Hr. Output | 62 | 82 | 123 | 115 |
| T.H.D. % Added | <1% | <1% | <1% | <1% |
| Load Surge Current @ | | | | |
| 1/2 cycle | 28 amps | 38 amps | 82 amps | 125 amps |
| 1 second | 10 amps | 14 amps | 28 amps | 60 amps |
| 10 seconds | 4.5 amps | 6.0 amps | 10 amps | 17 amps |
| Input Voltage | 120 | 120 | 120 | 120 |
| Output Voltage | 120 | 120 | 120 | 120 |
| Output Current | 1.5 amps | 2.0 amps | 3.0 amps | 4.0 amps |
| Efficiency | 90% | 90% | 90% | 93% |
| Voltage Drop No Load to Full Load | 10% | 9% | 6% | 7% |
| Wall mountable* | Yes | Yes | Yes | Yes |
| Compliance | UL and cUL, RoHS | UL and cUL, RoHS | UL and cUL, RoHS | UL and cUL, ROHS |
| Shipping Weight (lbs.) | 8 | 9 | 11 | 12 |

* When ordering by model number, add "W" to model number above for wall mount option.

NOISE REJECTION-ISOLATION: With unit under power and an ANSI/IEEE C62.41Cat. A pulse applied either normal or common mode at the input, the noise output voltage will be less than 10V normal mode (-60 db) and less than 0.5V common mode (greater than -80 db from 1 Hz to 5 MHz) in all four quadrants (CM-NM, NM-NM, CM-CM, NM-CM) .

SURGE VOLTAGE WITHSTAND CAPABILITY: Tested under power to ANSI/IEEE C62.41 Cat. A & B (formerly IEEE587-1980). Cat. A - 6000V @ 200 amps, 0.5 usec risetime, 100 kHz decay, Cat. B - 6000V @ 500 amps, 0.5 usec risetime, 100 kHz decay.

North American Standard Conditioners - "B" Case Enclosure Available Plug/Receptacle Options

ETA Systems Part

PCI-152NA - E61025-XXR**

PCI-202NA - E61026-XXR**

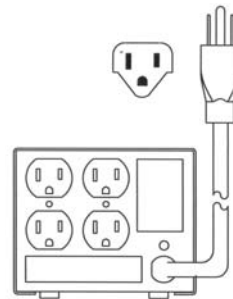
PCI-302NA - E61036-XXR**

PCI-402NA - E61048-XXR**

When ordering by part number, add two digit number from below in place of **XX to specify receptacle option desired.

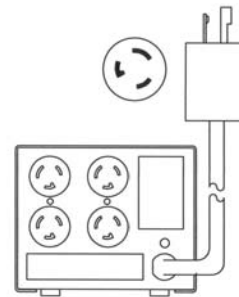
Option 1 - Standard Plugs/Receptacles

- 02 - 5-15P plug and two 5-15R duplex
- 22 - 5-15P plug and one 5-15R duplex with wallmount



Option 2 - Twistlock Plugs/Receptacles

- 42 - L5-15P plug and two L5-15R duplex



Warranty/Support: ETA Systems warrants its power conditioners against defects in materials and workmanship for a period of five years from the date of shipment. For service or support on any ETA Systems product, please contact ETA Technical Support at (800) 321-6699.