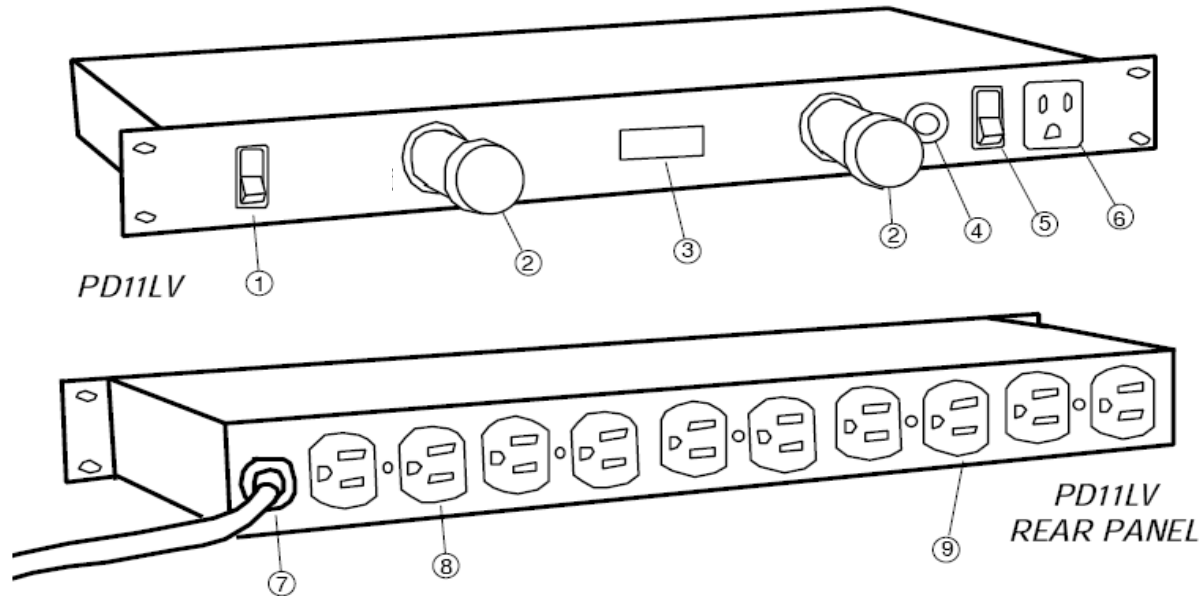


**OWNER'S MANUAL
OPERATION INSTRUCTIONS**

January 2006



- 1 Light Switch - activates rack illumination. Choose HI or LOW intensity
- 2 Light Tubes - illuminates up to 25 rack spaces or over 3 feet
- 3 Digital Voltmeter Readout - displays incoming line voltage
- 4 Circuit Breaker—resetable 15 amp thermal circuit breaker
- 5 Outlet Switch - lighted power switch activates protection and filtration to all black outlets and front panel outlets
- 6 Front Panel Outlet - convenient, filtered, protected and switched outlet
- 7 Power Cord - Six foot heavy duty U-grounded 14-gauge power cord
- 8 Ivory Outlets - unswitched outlets with continuous power available. Circuit breaker protected.
- 9 Black Outlets - EMI/RFI filtered, spike/surge protected and switched outlets

PD11LV Operating Instructions:

1. Install in a standard 19" rack or free standing position.
 2. Connect Power Distribution power cord (#7) into standard 120V wall outlet.
 3. Plug sensitive electrical equipment into conditioned black outlets (#9) or (# 6).
 4. Move outlet switch (#5) to "ON" position to provide power and protection to electrical equipment.
 5. For illumination, pull out light tubes (#2) and move light switch (#1) to "HI" or "LOW" position.
IMPORTANT: Be sure light switch (#1) is in "OFF" position when light tubes are recessed.
 6. Digital voltmeter readout (#3) is calibrated to nominal 117V at the factory. No adjustment necessary.
When calibration is required for special applications, an adjustable trimpot is located on the voltmeter readout assembly.
- WARNING:** Removing top cover is necessary. Adjustment must be done by a qualified individual.
7. Digital voltmeter readout (#3) automatically displays incoming voltage when power cord (#7) is connected. If you wish to have digital display on only when power switch is "ON", move switch on voltmeter display assembly inside unit to "OFF" position. **WARNING:** Removing top cover is necessary. Adjustment must be done by a qualified individual.

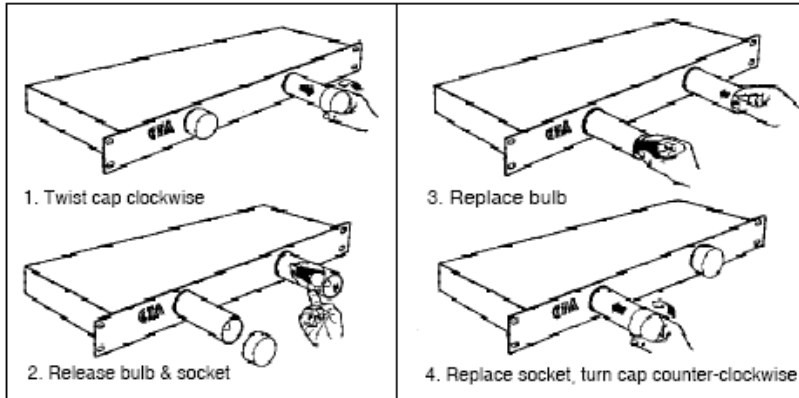
PD11LV SPECIFICATIONS:

Dimensions	19" L x 7 1/2" D x 1 3/4" H
Weight	7 lbs. (less packaging)
Housing Quality	Black powder coated chassis
Electrical	120V, 50/60 Hz, single phase
Max. amps	15/unit
Max. watts	1800/unit
Spike/surge protection	Line to neutral, neutral to ground, line to ground
Response time	< 1 nanosecond
Max. clamping voltage	330V
Max. spike current	6500 amps
Max. surge energy	630 joules total
Noise filter (EMI/RFI)	Frequency 150 kHz -200 MHz Attenuation up to 20 dB
Certification	ETL Listed

PD11LV FEATURES

- 10 protected U-grounded power outlets, 8 switched, 2 "always on"
- Four dual 15 amp U-grounded outlets
- One "always on" dual 15 amp U-grounded outlet on back panel
- Full 15 amps, 1800 watts capacity per unit
- Protected "always on" 15 amp AC power outlet on the front panel
- Total unit 15 amp circuit breakers located on front panel
- Digital voltmeter readout
- Dual swivel rack high output illuminators with High/Low settings and easy-to-change bulb accessibility
- Spike and surge protection
- EMI/RFI filtration
- 1 rack space
- 3 year limited warranty

EASY 4-STEP BULB REPLACEMENT 120 volt 4 watt bulb (Christmas tree bulb)



- "Always-On" Protected Outlets
- 10 Rear Panel Outlets
- Front Panel Convenience Outlets
- Digital Voltmeter Display Readouts
- Microprocessor Managed Voltage Regulators
- Programmable and Linkable Sequential Turn-on Models
- Models Adaptable for Multiple AC Adapters
- High Amp Conditioned Models
- Easy Bulb Change Feature

Standard on Every ETA Power Conditioning Model

- Spike and Surge Protection and EMI/RFI Filtration on All Three Legs of the Incoming AC Power—A Must, to Ensure Protection of Electronic Components and Equipment.

Typical Uses

All Professional Permanent Installations, Recording Studios, Theatres, Schools, Clubs, Churches, any entertainment venue, business board rooms, and audio/visual multi-use presentation rooms.

Portable Applications: On-The-Road Concert Tours, Bands, and D.J. services.

Other Important Applications: A/V racks, computer networks, and home entertainment centers.

Thank you for choosing ETA Systems Power Distribution

Drawing upon our 20 years of solving high-amperage lighting needs and listening to customers' concerns, we have developed a most extensive line of Audio Conditioned Power Distribution. As the problems inherent with AC power increase, you will find ETA providing solutions.

Call 1-800-321-6699 for a Full Line Brochure