

OWNER'S MANUAL

*CONDITIONED POWER DISTRIBUTION
SEQUENTIAL POWER UP / POWER DOWN*



PD11 SP



PD11 SS



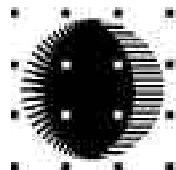
PD11 P

PD11 VP

PD11 LP

PD11 LVP

PD11 LVSP



ETA SYSTEMS

A Creative Light & Sound Company

1532 Enterprise Parkway • Twinsburg, Ohio 44087

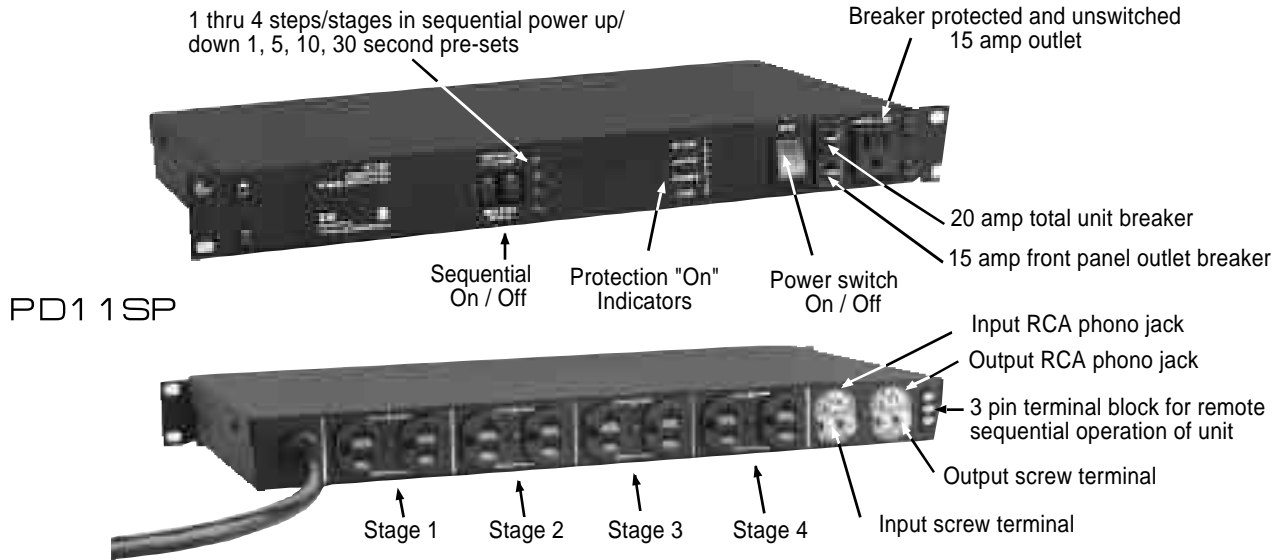
330-425-3388 • 800-321-6699 • Fax: 330-425-9700

<http://www.etasys.com> E-mail eta@etasys.com

ETA's line of *Conditioned Power Distribution* units are designed to reduce damage to sensitive electronic equipment from sudden voltage spikes, damaging power surges, and EMI/RFI noise, which is inherent in utility power lines.

The PD11SP is a sequential four step/stage power up/down conditioned power distribution unit. It is designed to protect electronic equipment that requires a time-delayed start-up, particularly when high in-rush current can potentially damage audio, video, or computer equipment at power up.

PD11SP units are shipped with the ability to be linked or daisy chained. All linked units function as slaves; however, slaves can be set to specific time delays. Any number of units can be linked together with a distance of up to 1000 feet between each location (see Fig. 4).



PD11SP Features:

- Microprocessor monitored sequential power distribution system
- Four power up/down steps or stages of distributed and conditioned power
- Four pre-set power up/down intervals of 1, 5, 10 or 30 seconds
- Optional manual settings for up to 240 seconds between intervals
- One dual 20 amp U-grounded outlet per stage
- Full 20 amps, 2400 watt capacity per unit
- 12-gauge, 3-prong, 10-foot, 20-amp power cord. Requires 20 amp circuit and receptacle outlet
- Protected "always on" 15 amp AC power outlet on the front panel
- Total unit 20 amp and 15 amp outlet circuit breakers located on front panel
- Three-stage spike and surge protection
- Two-stage EMI/RFI filtration
- Ground and AC line fault check
- One rack space high
- One year limited warranty

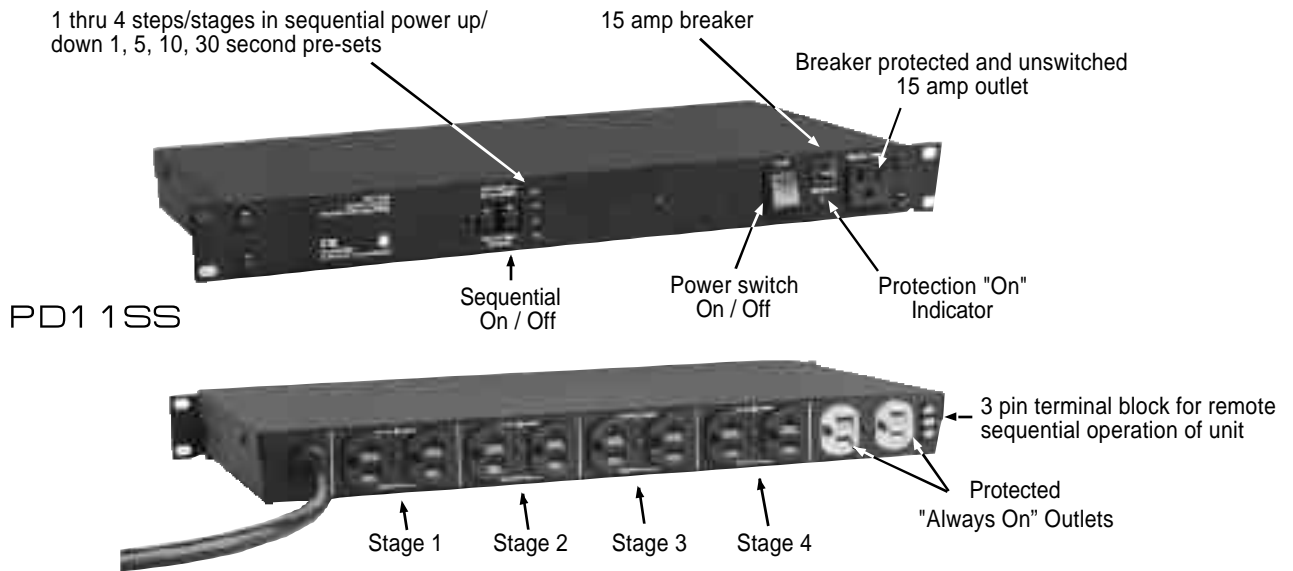
Other Features:

- Remote control operation
- Standard rear panel RCA connectors and 2 screw terminals

Specifications:

Dimensions	19" L x 10" D x 1 3/4" H
Weight	10 lbs.
Quality	Black powder coated chassis, black anodized aluminum front panel
Electrical	120V, 50/60 Hz, single phase
Max. amps	20/unit
Max. watts	2400/unit
Max. front outlet	15 amps
Spike/surge protection	Line to neutral, neutral to ground, line to ground
Clamping level	200V peak
Response time	1 nanosecond
Max. surge voltage	6000V
Max. surge current	26,000 amps
Max. spike energy	630 joules total
Noise attenuation	Transverse greater than 20 dB, 1.5 kHz to 200 MHz
Certification	ETL listed

The PD11SS is a sequential four step/stage power up/down conditioned power distribution unit. It is designed to protect electronic equipment that requires a time-delayed start-up, particularly when high in-rush current can potentially damage audio, video, or computer equipment at power up.



PD11SS Features:

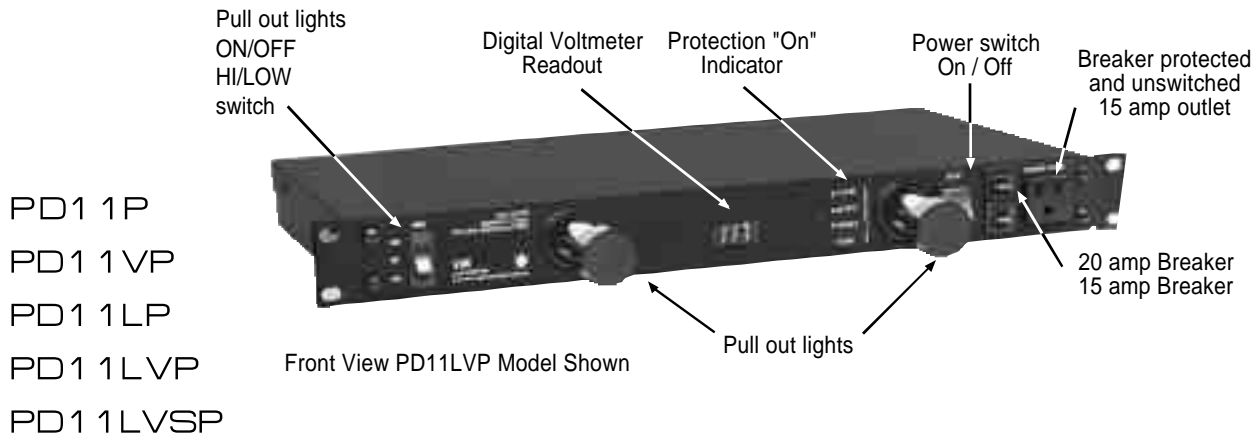
- Microprocessor monitored sequential power distribution system
- Four power up/down steps or stages of distributed and conditioned power
- Four pre-set power up/down intervals of 1, 5, 10 or 30 seconds
- Optional manual settings for up to 240 seconds between intervals
- One dual 15 amp U-grounded outlet per stage
- One dual 15 amp "always on" U-grounded outlet
- Full 15 amps, 1800 watts capacity per unit
- 12-gauge, 3-prong, 6-foot, 15-amp power cord
- Protected "always on" 15 amp AC power outlet on the front panel
- Total unit 15 amp outlet circuit breakers located on front panel
- Three-stage spike and surge protection
- EMI/RFI filtration
- Watch dog circuitry with "Go/No Go" L.E.D. display
- One rack space high
- One year limited warranty

Other Features:

- Remote control operation
Access to remote feature is internal to three PC board mounted screw terminals for 3-wire hook-up.

Specifications:

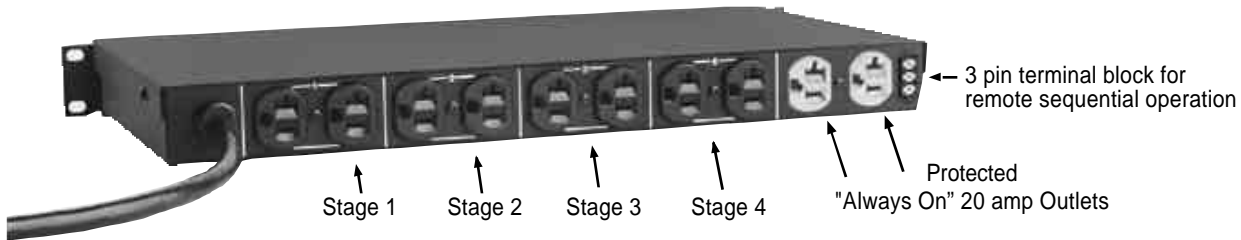
Dimensions	19" L x 10" D x 1 3/4" H
Weight	10 lbs.
Quality Finish	Black powder coated chassis, black anodized aluminum front panel
Electrical	120V, 50/60 Hz, single phase
Max. amps	15/unit
Max. watts	1800/unit
Max. front outlet	15 amps
Spike/surge protection	Line to neutral, neutral to ground, line to ground
Clamping level	200V peak
Response time	1 nanosecond
Max. surge voltage	6000V
Max. surge current	12,000 amps
Max. spike energy	450 joules total
Noise attenuation	Transverse > 35 dB, 1.5 kHz to 200 MHz
Certification	ETL listed



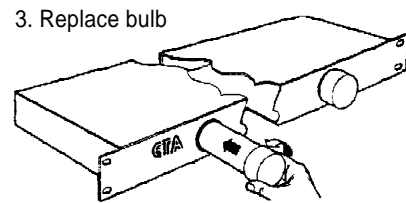
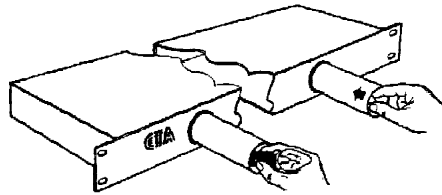
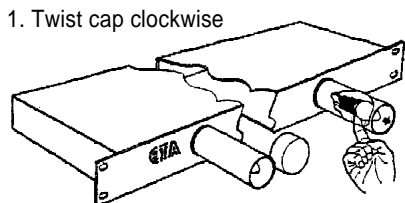
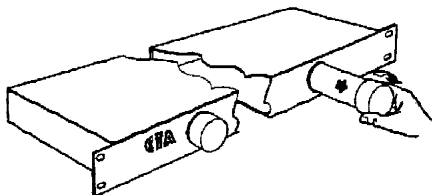
Back View PD11P, 11VP, 11LP, 11LVP



Back View PD11LVSP



Easy 4-step bulb replacement. Use 120 volt 4 watt bulb (Christmas tree bulb). PD11LP, 11LVP, 11LVSP



1. Twist cap clockwise

2. Release bulb & socket

3. Replace bulb

4. Replace socket, snap on cap, turn cap counter-clockwise

PD11P, PD11VP, PD11LP, PD11LVP Features:

- Light Switch (PD11LP/LVP/LVSP) activates rack illumination; choice of HI or LOW intensity
- Light Tubes (PD11LP/LVP/LVSP) illuminates up to 25 rack spaces
- 4 dual 20 amp U-grounded switched outlets per unit
- 1 dual 15 amp U-grounded "always on" and protected outlet
- Digital Voltmeter Readout (PD11VP/LVP/LVSP) displays incoming line voltage
- Resettable 20 amp thermal circuit breaker; 15 amp for front panel outlet
- Lighted Outlet Power Switch activates protection and filtration to all switch outlets and front panel outlet
- 12-gauge, 3-prong, 10-foot, 20-amp power cord. Requires 20 amp circuit and receptacle outlet
- Protected "always on" 15 amp AC power outlet on the front panel
- Total unit 20 amp and 15 amp outlet circuit breakers located on front panel
- Three-stage spike and surge protection
- Two-stage EMI/RFI filtration
- Ground and AC line fault check
- One rack space high
- One year limited warranty

PD11LVSP Features:

- Microprocessor monitored sequential power distribution system
- Four power up/down steps or stages of distributed and conditioned power
- Four pre-set power up/down intervals of 1, 5, 10 or 30 seconds
- Optional manual settings for up to 240 seconds between intervals
- One dual 120 amp U-grounded outlet per stage
- One dual 20 amp "always on" U-grounded outlet
- Full 20 amps, 2400 watts capacity per unit
- 12-gauge, 3-prong, 10-foot, 20-amp power cord. Requires 20 amp circuit and receptacle outlet
- Protected "always on" 15 amp AC power outlet on the front panel
- Total unit 20 amp and 15 amp outlet circuit breakers located on front panel
- Three-stage spike and surge protection
- Two-stage EMI/RFI filtration
- Ground and AC line fault check
- One rack space high
- One year limited warranty

Other Features:

- Remote control operation
- The remote feature is accessed externally through a 3-wire remote block

PD11LVSP/LVP/LP/VP/P Specifications:

Dimensions	19" L x 10" D x 1 3/4" H
Weight	10 lbs.
Quality Finish	Black powder coat chassis, black anodized aluminum front panel
Electrical	120V, 50/60 Hz, single phase
Max. amps	20/unit
Max. watts	2400/unit
Max. front outlet	15 amps
Spike/surge protection	Line to neutral, neutral to ground, line to ground
Clamping level	200V peak
Response time	1 nanosecond
Max. surge voltage	6000V
Max. surge current	23,000 amps (PD11LVSP/LVP/VP/LP/P)
Max. spike energy	630 joules total
Noise attenuation	Transverse > 20 dB, 1.5 kHz to 200 MHz
Certification	ETL listed

Installation Requirements

PD11P, PD11VP, PD11LP, PD11SP, PD11LVP, PD11LVSP

Plug unit into power source and observe status of four "Protection" light emitting diodes. The (green) "1st Stage", "2nd Stage", and "GROUND OK" L.E.D.'s should normally be illuminated and the (red) "FAULT" L.E.D. should be off. When these indications are present, test the power "On/Off" switch which will illuminate to indicate that power is being supplied to the switched outlets on the rear of the unit.

- A. The "1st Stage" and "2nd Stage" L.E.D.'s indicate that both the input (1st) and output (2nd) stages of circuit protection are active.
- B. The "GROUND OK" L.E.D. indicates that the chassis is connected to the ground wire of the supply outlet.
- C. Fault conditions are represented by the following indications:

NOTE: (X) = "ON" () = "OFF"

1 st Stage	2 nd Stage	Ground OK	Fault	
(X)	(X)	(X)	()	Supply circuit outlet wiring OK
()	()	()	()	Open hot
()	()	(X)	(X)	Open Neutral or Hot & Ground Reversed
(X)	(X)	()	()	Open Ground
(X)	(X)	()	(X)	Hot & Neutral Reversed

NOTE: On the PD11SS Model a green L.E.D. located on the front panel is illuminated (indicating "Protection On" status) when unit is plugged into a power source ensuring input and output stages of circuit protection are active.

Operating Instructions

1. Install in a standard 19" rack or free-standing position.
2. Connect Power Distribution power cord into a 20 amp, 120 volt wall outlet (15 amp for Model PD11SS).
3. Plug sensitive electrical equipment into conditioned outlets. All models have an additional protected outlet on the front panel.
4. Move power outlet switch to "ON" position to provide power to electrical equipment.
5. For illumination, pull out light tubes (PD11LP/LVP/LVSP) and move light switch to "HI" or "LOW" position.
IMPORTANT! Be sure light switch is in "OFF" position when light tubes are recessed.
6. Digital voltmeter readout (PD11VP/LVP/LVSP) is calibrated to nominal 117V at the factory. No adjustment necessary.
7. Digital voltmeter readout automatically displays incoming voltage when power cord is connected.

Power Problems

Standard AC outlets often supply raw and unprocessed power that not only can diminish the clarity of audio signals and cause premature failure of parts, it can completely destroy your valuable equipment.

Power problems such as spikes, line surges and noise interference transmit through all standard electrical lines and affect power quality: therefore, affecting you.

Solutions

Conditioned Power Distribution can eliminate such problems from affecting you. As it filters the line voltage from your AC outlets, eliminating noise and interference, such as radio frequency interference (RFI) and electromagnetic interference (EMI), it will reduce the residual noise in the system, which will enhance audio clarity.

Audio Conditioned Power Distribution is also designed to protect electronic equipment from potentially damaging high-voltage spikes and surges.

Sequencing Audio Conditioned Power Distribution is designed to initiate a turn-on cycle, energizing one circuit immediately with remaining circuits energizing in a delayed fashion. This allows circuits to stabilize when powering up and down eliminating that on-rush of power and potential damage to equipment at output receptacle.

Quick Step Pre-Set Selection for Sequential Models

- Step 1:* Hold down OFF/ON switch simultaneously until L.E.D.'s flash together. If unit was previously set in a manual mode, all channel L.E.D.'s will be ON rather than ON/OFF L.E.D. flashing. Assume they are flashing and proceed to next step.
- Step 2:* While flashing, press ON button to step through the four (1,5,10,30 seconds) pre-sets.
- Step 3:* Stop on desired pre-set.
- Step 4:* Press OFF/ON switch simultaneously.
- Step 5:* To test sequential selection press ON button.
- Step 6:* Press OFF button to return to sequential OFF Position.

Quick Step Manual Selection

- Step 1:* Hold down OFF/ON switch simultaneously until L.E.D.'s flash together. If unit was previously set in a manual mode, all L.E.D.'s will be ON rather than ON/OFF L.E.D. flashing. Assume they are flashing and proceed to next step.
- Step 2:* While flashing, press ON button to step through the four (1,5,10,30 seconds) pre-sets.
- Step 3:* Stop at channel four (4).
- Step 4:* Press ON button one more time. All channel L.E.D.'s should now be lighted.
- Step 5:* Press ON to start time sequence from 5 to 240 seconds. Press OFF to stop time sequence. (Exits at 240 seconds.)
- Step 6:* To test manual sequential selection press ON button.
- Step 7:* Press OFF button to return to sequential OFF position.

Quick Step To Clear Unit

- Step 1:* Hold down OFF/ON switches simultaneously until L.E.D.'s flash together. If unit was previously set in a manual mode, all L.E.D.'s will be ON rather than ON/OFF L.E.D. flashing. Assume they are flashing and proceed to next step.
- Step 2:* Step through channels stopping at one or 1 second.
- Step 3:* Press OFF/ON switches together.
- Step 4:* Test — same as above

Three-Wire Remote Control Interface

A three-wire remote control interface is added to the main PC board for the PD11SS, PD11SP AND PD11LVSP units. This remote control interface is accessible through an external terminal block on the back of the unit (see Figure 6). This interface requires an external user provided switch, L.E.D., and a three-wire cable to implement. The interface has been tested reliably over 1000 feet with 22-gauge speaker wire (see Figures 1 and 5).

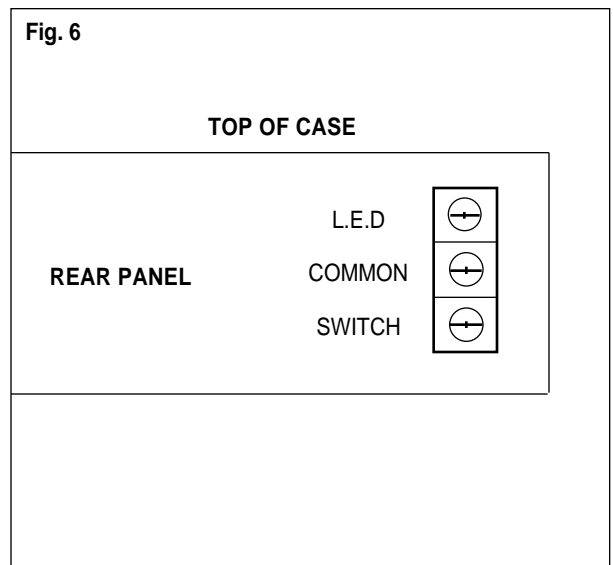
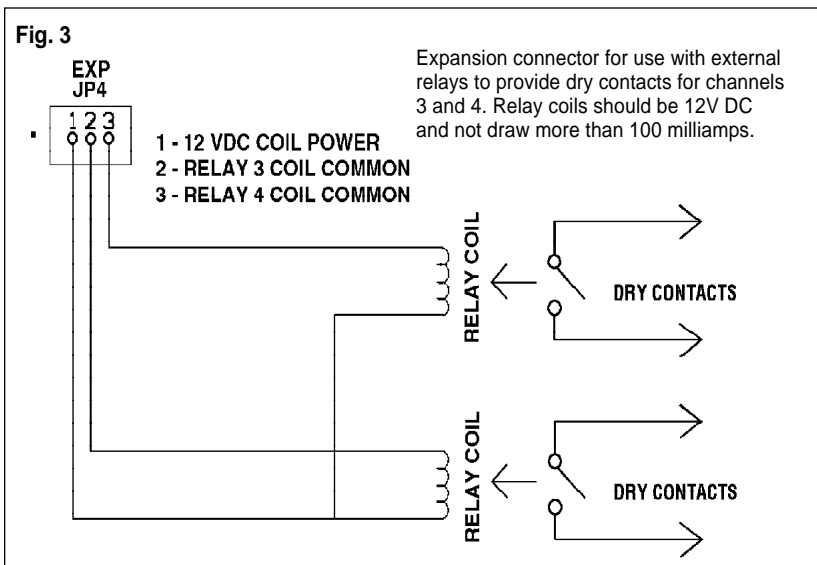
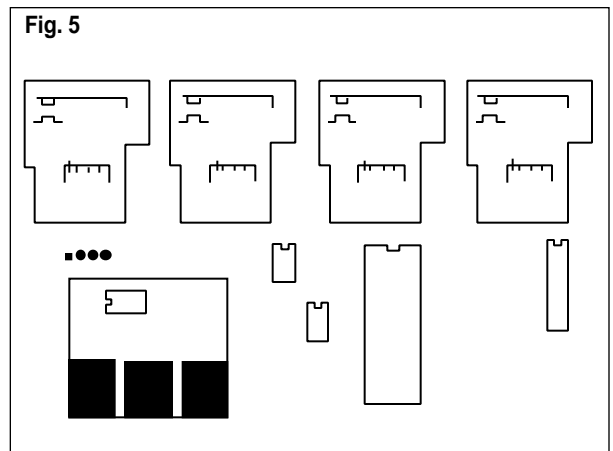
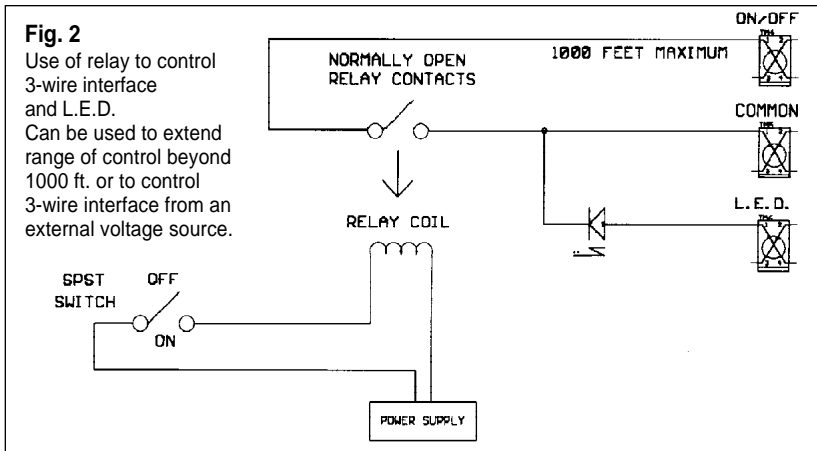
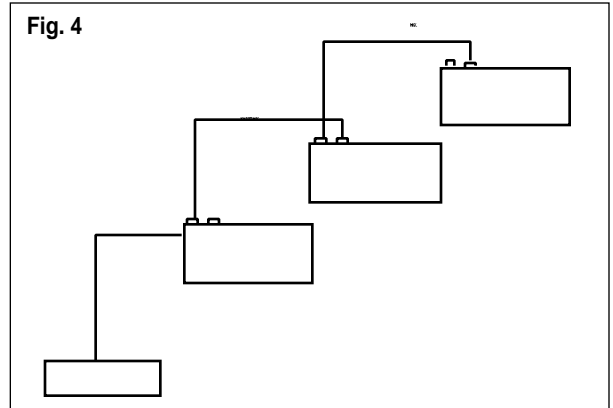
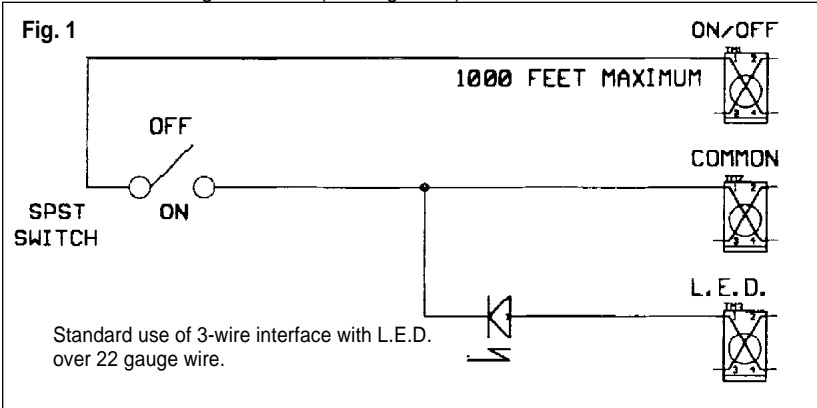
Connect the short minus (-) lead of the L.E.D. and one side of the switch to the COMMON terminal, the long plus (+) lead of the L.E.D. to the L.E.D. terminal, and finally the other side of the switch to the ON/OFF terminal. When you close the switch, the L.E.D. will begin flashing until all channels have sequenced ON, and then the L.E.D. will remain ON. When you open the switch the L.E.D. will begin flashing until all channels have sequenced OFF and then the L.E.D. will remain OFF.

Remote Relay Function Operation (optional)

Using a set of relay contacts that are normally open instead of a switch you can control the PD11SS, PD11SP AND PD11LVSP units with a relay. When you apply power to the relay the channels will sequence ON, and when you disconnect power from the relay the channels will sequence OFF. This allows you to interface a PD11SS, PD11SP AND PD11LVSP unit with other equipment that has dry (normally open) relay contacts (see Figure 2).

Larger Installations

In a larger installation, you can control different equipment racks from a remote location by running three-wire cable from each rack back to the remote location. Then attach an L.E.D. and switch as before, these would be mounted in the user's control panel, and you now have remote control of each rack in a single location (see Figure 3).



ETA Conditioned Power Distribution...

The Benchmark By Which Professionals Compare.

For over 20 years ETA has developed, manufactured and sold high amperage theatrical lighting systems from which evolved an extensive line of rack mounted conditioned power distribution products designed to protect today's sensitive electronic digital equipment.

The "PD" Conditioned Power Distribution Series easily deals with normal AC line power fluctuations, as well as the more drastic abnormalities of the spike and surge variety. Also, filtering of airborne interferences caused by electromagnetic and radio frequency transmissions is routinely accomplished. More sophisticated ETA models utilize microprocessor technology to regulate AC power and sequence power turn-on—reducing high in-rushes of power.

ETA's sophisticated electronic protection technology is the favorite of professional who demand flawless operation of digital mixers, processors, amplifiers and PCs—whether in the studio, in the boardroom, on tour, or in a home entertainment environment.



Thank you for choosing ETA Systems Power Distribution

Drawing upon our 20 years of solving high-amperage lighting needs and listening to customers' concerns, we have developed a most extensive line of Audio Conditioned Power Distribution. As the problems inherent with AC power increase, you will find ETA providing solutions.

Call 1-800-321-6699 for a Full Line Brochure

Power Conditioning Firsts from ETA

- "Always-On" Protected Outlets
- 10 Rear Panel Outlets
- Front Panel Convenience Outlets
- Digital Voltmeter Display Readouts
- Microprocessor Managed Voltage Regulators
- Programmable and Linkable Sequential Turn-on Models
- Models Adaptable for Multiple AC Adapters
- High Amp Conditioned Models
- Easy Bulb Change Feature

Standard on Every ETA Power Conditioning Model

- Spike and Surge Protection and EMI/RFI Filtration on All Three Legs of the Incoming AC Power—A Must to Ensure Protection of Electronic Components and Equipment.

Typical Uses

All Professional Permanent Installations, Recording Studios, Theatres, Schools, Clubs, Churches, any entertainment venue, business board rooms, and audio/visual multi-use presentation rooms.

Portable Applications: On-The-Road Concert Tours, Bands, and D.J. services.

Other Important Applications: A/V racks, computer networks, and home entertainment centers.

ETA SYSTEMS

A Creative Light & Sound Company

1532 Enterprise Parkway • Twinsburg, Ohio 44087
330-425-3388 • 800-321-6699 • Fax: 330-425-9700
<http://www.etasys.com> E-mail eta@etasys.com

