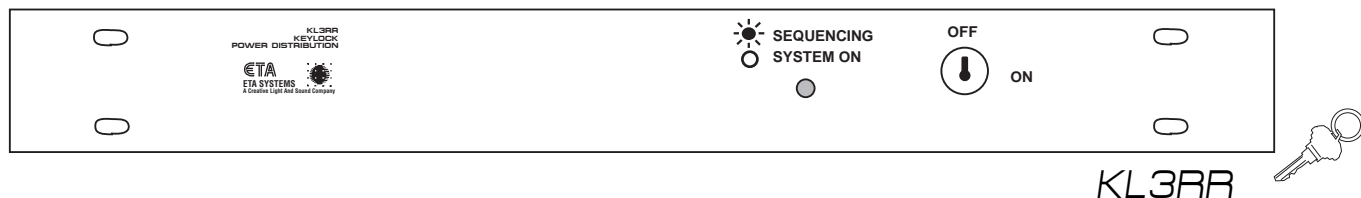
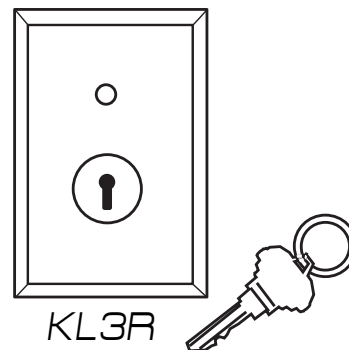


OWNER'S MANUAL

KL3R KEY LOCK REMOTE WALL PLATE KL3RR KEY LOCK REMOTE RACK-MOUNT

KL3R Remote Wall Plate and KL3RR Rack-Mounted Version Features

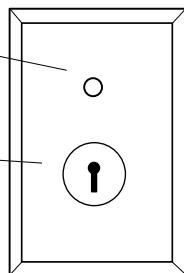
- Designed for 1-gang electrical outlet box or 1-space rack-mount
- Inputs: 3-wire interface maintained connection (contact closure)
- Key removal in ON/OFF position
- L.E.D. ON/OFF indicator
- Flashing sequencing mode
- Black painted face plate



Red L.E.D. ON/OFF sequencing status.
Energized in Red is ON status
Flashing in sequencing mode

Key Lock: key removal in ON or OFF position.
Two keys provided.

Designed for standard 1 gang switch or electrical outlet box.



ELECTRICAL HOOK-UP FOR 3-WIRE KL3R and KL3RR KEY LOCK:

Interface: 3-wire maintained connection (contact closure)

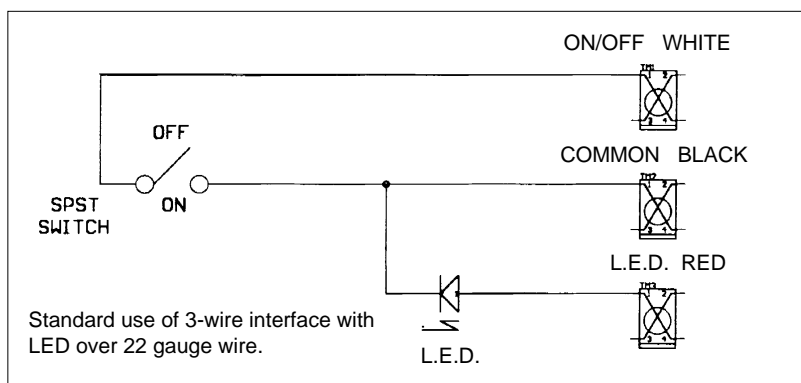
Connection:

22 AWG White wire - switch on-off

22 AWG Black wire - common

22 AWG Red wire - L.E.D. display

HOOK-UP DIAGRAM



ETA[®] SYSTEMS

A Creative Light & Sound Company

1532 Enterprise Parkway • Twinsburg, Ohio 44087 USA

330-425-3388 • 800-321-6699 • Fax: 330-425-9700

<http://www.etasys.com> E-mail eta@etasys.com

