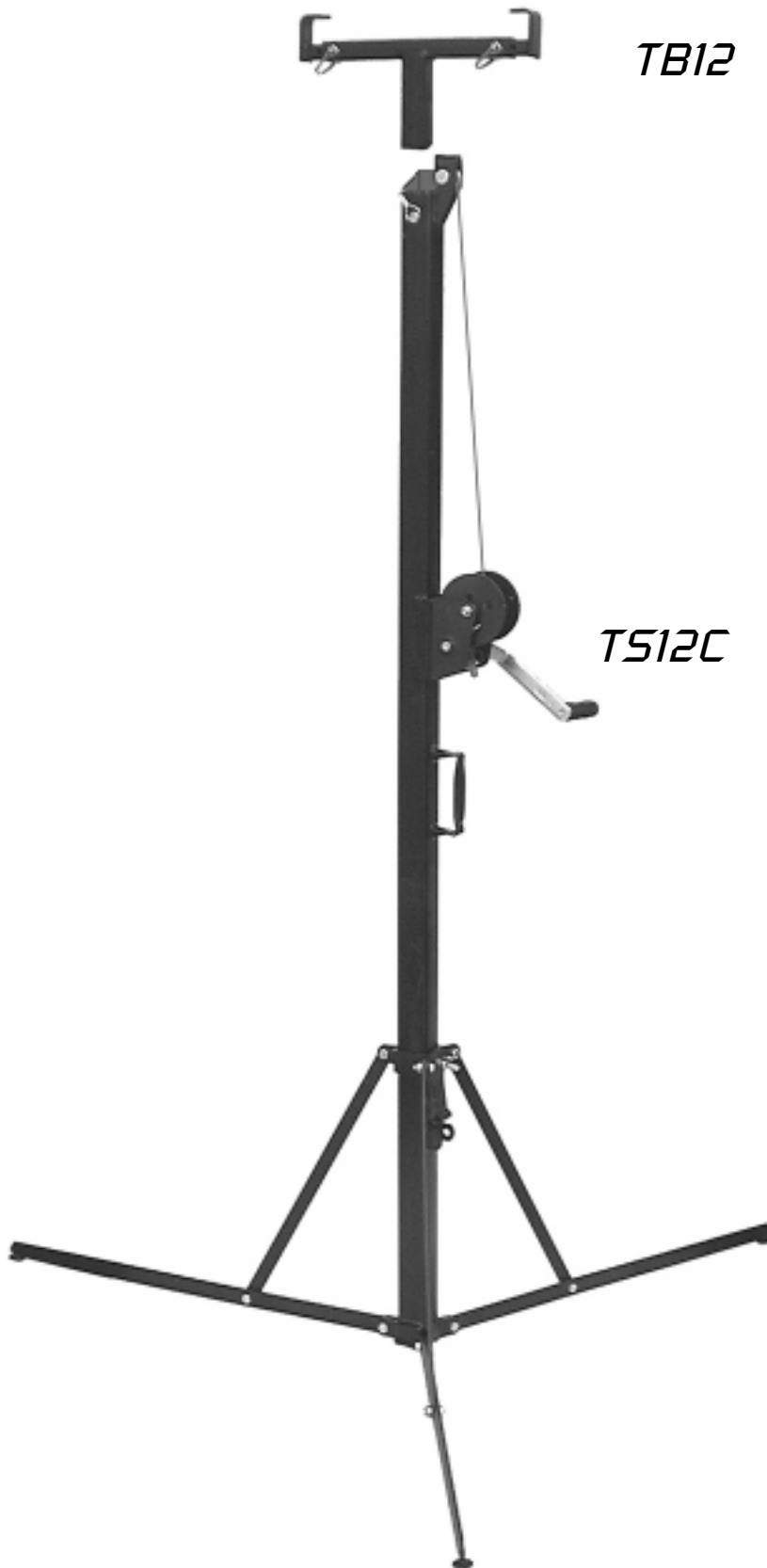


ACCESSORIES — LIGHT WEIGHT TRUSS SUSPENSION



TB12

TS12C

ETA's All-Purpose Tripod Stand is Perfect for Light Weight Suspension

Designed to support ETA Truss, the Model TS12C Stand features Collapsible Tripod Legs, allowing storage in a 5" x 10" x 6 $\frac{1}{2}$ ' space. The positive locking, hand-crank system makes for easy set-up and mobility.

TS12C TRIPOD STAND SPECIAL FEATURES:

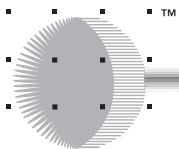
- 200 lb. Weight Capacity
- Height Range: from 6 $\frac{1}{2}$ feet to maximum height of 11 feet
- Direct Drive Crank-Up System
- Outer Tube constructed of 2" x 2" x $\frac{1}{4}$ " thick square steel tube, painted black
- Inner Tube constructed of 1 $\frac{3}{4}$ " x 1 $\frac{3}{4}$ " x $\frac{1}{4}$ " thick square steel tube, painted black
- Easy Set-up and Storage
- Stores and transports to a 5 inch x 10 inch x 6 $\frac{1}{2}$ foot size
- Total unit weight 50 pounds
- 54" x 54" Footprint
- Best used with TB12 T-Bar Adaptor (sold separately, as pictured)

TB12 T-BAR ADAPTOR SPECIAL FEATURES:

Designed to be used with the TS12C all-purpose Tripod Stand, the T-bar Adaptor is necessary to support box and triangular truss sections.

T-bar Adaptor slides into the top of the TS12C Stand, and is held in place with a locking pin.

- Accommodates ETA Box or Triangular Truss
- Width settings of 12" or 14"
- Width setting held in place with a locking pin
- For use with the TS12C (sold separately)



ETA[®] SYSTEMS

All designs and specifications are subject to change without notice.

LT101 10/03

The Power Just Keeps On Coming

1532 Enterprise Pkwy, Twinsburg, Ohio 44087 USA • 800-321-6699 • Fax: 330-425-9700 • www.etasys.com