

# CONDITIONED POWER DISTRIBUTION



PD8



PD8L

ETA's line of *Conditioned Power Distribution* units are designed to reduce electrical damage to sensitive electronic equipment from high amplitude/short duration spikes, random surges, and EMI/RFI noise, which is inherent in utility power lines.

Power line sources which are not preconditioned or filtered can affect reliable operation of sensitive audio, computer, and other electronic equipment, and may cause premature failure, expensive repairs, or unanticipated replacement from non-repairable damage.

As inherent problems in utility AC power lines increase for various reasons, and the need for noise-free, conditioned power increases, ETA is there with the units to protect your valuable electronic equipment. With present demands on the power utilities, voltage spikes, power surges, electrical noise, and power failures are commonplace. This "garbage" in the power delivered can reduce the fidelity of audio systems, cause premature failure, or result in extensive damage or destruction of electronic equipment.

## ETA QUALITY STANDARD FEATURES:

- Incoming power spike and surge protection & noise filtration
- Full 15 amp 1800 watt output
- Overload protection
- 8 protected U-grounded power outlets
- 14-gauge 3-prong 6' power cord
- One rack space high
- One year limited warranty
- UL recognized

## APPLICATIONS:

- Live Productions
- Sound Reinforcement
- Theatres
- Clubs
- Schools
- Churches
- Bands, DJs
- Home Entertainment Centers

## PD8 and PD8L SPECIAL FEATURES:

- High output, dual swivel rack illuminators on PD8L with High/Low settings and "easy change" bulb
- Watchdog protected circuitry with front panel LED indicator noting "Go" or "No Go" protection status



ETA<sup>®</sup> SYSTEMS

*The Power Just Keeps On Coming*

# MODELS PD8 / PD8L : CONDITIONED POWER DISTRIBUTION



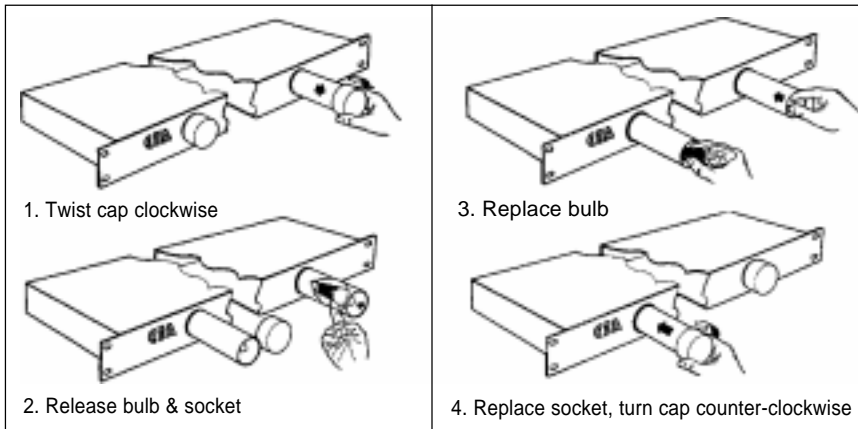
## SPECIFICATIONS:

Dimensions	19" L x 6" D x 1 3/4" H
Weight	7 lbs.
Housing Quality	Black powder coated chassis
Electrical	120V, 50/60 Hz, single phase
Max. amps	15/unit
Max. watts	1800/unit
Spike/surge protection	Line to neutral, neutral to ground, line to ground
Response time	1 nanosecond
Max. surge voltage	6000V
Max. surge current	12,000 amps
Max. spike energy	450 joules total
Noise attenuation	Transverse > 35 dB, 1.0 kHz to 100 MHz
Certification	UL recognized

## PD8 AND PD8L FEATURES

- 15 amp input – breaker protected
- 8 AC outlets
- Spike, surge and EMI/RFI filtered
- Watchdog protected circuitry with "Go/No Go" display
- Rack illuminators
- 1 rack space
- 1 year limited warranty

## EASY 4-STEP BULB REPLACEMENT 120 volt 4 watt bulb (Christmas tree bulb)



## When You're Ready to Move Up, Check out the ETA Pro Series

Choose from UL-listed Audio Conditioned Power Distribution units, sequential power up/down units, high amperage output and AC voltage regulators. Contact your ETA Dealer to receive additional information.

**ETA<sup>®</sup> SYSTEMS**

*A Creative Light & Sound Company*

Division of National Biological Corporation

1532 Enterprise Parkway • Twinsburg, Ohio 44087

330-425-3388 • 800-321-6699 • Fax: 330-425-9700

<http://www.etasys.com> E-mail [eta@etasys.com](mailto:eta@etasys.com)

All designs and specifications are subject to change without notice. Copyright © 1998 ETA Systems.

2/98

5-HOU-003-LIT

