

CONDITIONED POWER DISTRIBUTION 20 AMP PRO SERIES



PD11LVP

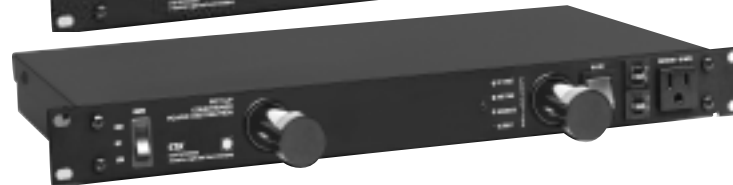
PD 11 P



PD 11 VP



PD 11 LP



ETA's line of *Conditioned Power Distribution* units are designed to reduce damage to sensitive electronic equipment from sudden voltage spikes, damaging power surges, and EMI/RFI noise, which is inherent in utility power lines.

Power line sources which are not preconditioned or filtered can affect reliable operation of sensitive audio, computer, and other electronic equipment, and may cause premature failure, expensive repairs, or unanticipated replacement from non-repairable damage.

As inherent problems in utility AC power lines increase for various reasons, and the need for noise-free, conditioned power increases, ETA is there with the units to protect your valuable electronic equipment. With present demands on the power utilities, voltage spikes, power surges, electrical noise, and power failures are commonplace. This "garbage" in the power delivered can reduce the fidelity of audio systems, cause premature failure, or result in extensive damage or destruction of electronic equipment.

ETA QUALITY STANDARD FEATURES:

- Incoming power spike and surge protection & noise filtration
- Protected U-grounded power outlets
- 12-gauge, 3-prong, 10-foot power cord, 20-amp capacity
- One rack space high
- One year limited warranty
- ETL listed

APPLICATIONS:

- Live Productions
- Sound Reinforcement
- Permanent Installations
- Recording Studios
- Theatres
- Clubs
- Schools
- Churches
- Board Rooms
- Audio-Visual Multi-use Presentation Rooms
- Tours
- Bands, DJs
- A-V Racks
- Computer Networks
- Home Entertainment Centers

PD11P & ALL PRO SERIES FEATURES:

- Four dual 20 amp U-grounded outlets
- One "always on" dual 20 amp U-grounded outlet
- Full 20 amps, 2400 watt capacity per unit
- Requires 20 amp circuit and receptacle
- Protected "always on" 15 amp AC power outlet on the front panel
- Total unit 20 amp and 15 amp outlet circuit breakers located on front panel
- Three-stage spike and surge protection
- Two-stage EMI/RFI filtration
- Ground and AC line fault check

PD11VP SPECIAL FEATURES:

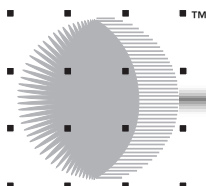
- Plus a digital voltmeter readout

PD11LP SPECIAL FEATURES:

- Plus dual swivel rack high output illuminators with HIGH/LOW settings and easy bulb change accessibility

PD11LVP SPECIAL FEATURES:

- Plus a digital voltmeter readout
- Plus dual swivel rack high output illuminators with HIGH/LOW settings and easy bulb change accessibility



ETA[®] SYSTEMS

The Power Just Keeps On Coming

MODELS PD11P / PD11VP / PD11LP / PD11LVP: CONDITIONED POWER DISTRIBUTION – PRO SERIES



SPECIFICATIONS:

Dimensions	19" L x 10" D x 1 3/4" H
Weight	10 lbs.
Housing Quality	Black powder coated chassis, black anodized aluminum front panel
Electrical	120V, 50/60 Hz, single phase
Max. amps	20/unit
Max. watts	2400/unit
Max. front outlet	15 amps
Spike/surge protection	Line to neutral, neutral to ground, line to ground
Clamping level	200V peak
Response time	1 nanosecond
Max. surge voltage	6000V
Max. surge current	23,000 amps
Max. spike energy	630 joules total
Noise attenuation	Transverse > 20 dB, 1.5 kHz to 200 mHz
Certification	ETL listed

PRO SERIES FEATURES

- 4 dual 20 amp U-grounded outlets and 1 "always on" outlet
- Full 20 amps, 2400 watt capacity per unit
- Requires 20 amp circuit and receptacle
- Protected "always on" 15 amp front outlet
- Three-stage spike, surge protection
 Stage 1: surge suppression diodes
 Stage 2: metal oxide varistors (MOVS)
 Stage 3: gas discharge tube
- Two-stage EMI/RFI filtration
- Ground and AC line fault check
- 1 rack space
- 1 year limited warranty

PD11VP SPECIAL FEATURES

- Digital voltage display

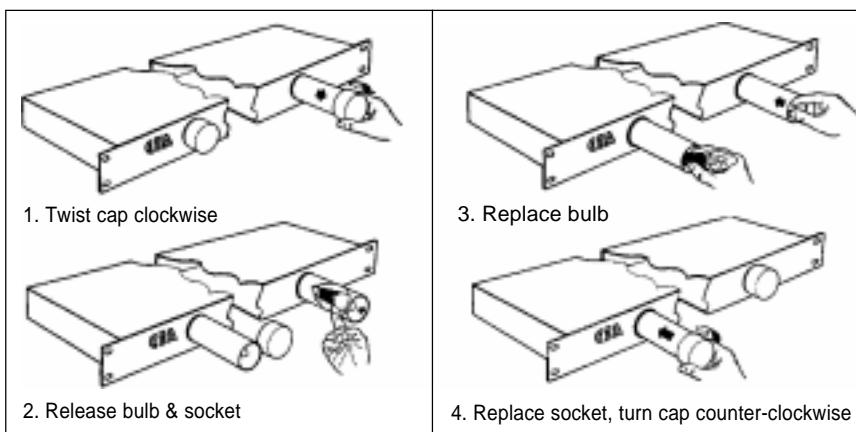
PD11LP SPECIAL FEATURES

- Rack illuminators

PD11LVP SPECIAL FEATURES

- Digital voltage display
- Rack illuminators

EASY 4-STEP BULB REPLACEMENT 120 volt 4 watt bulb (Christmas tree bulb)



ETA[®] SYSTEMS

A Creative Light & Sound Company

Division of National Biological Corporation

1532 Enterprise Parkway • Twinsburg, Ohio 44087

330-425-3388 • 800-321-6699 • Fax: 330-425-9700

<http://www.etasys.com> E-mail eta@etasys.com

All designs and specifications are subject to change without notice.
 Copyright © 1998 ETA Systems.

8/98

5-FP-067-LIT

