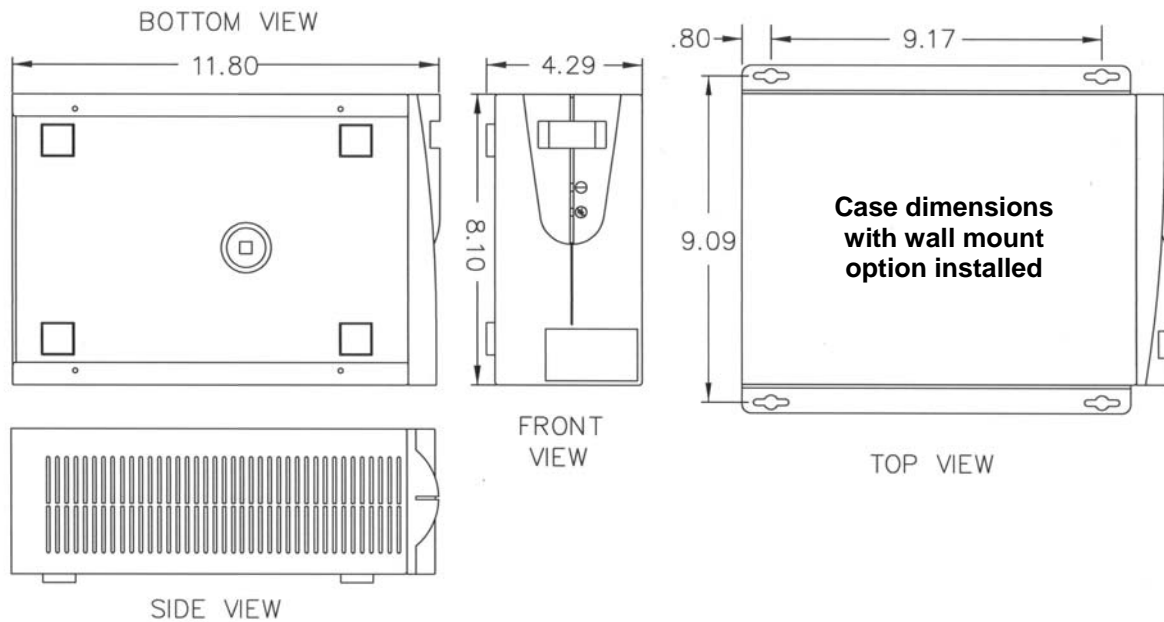


North American Power Conditioners - "C" Case Enclosure



	PCI-400NA* Part # E61051-XX	PCI-500NA* Part # E61060-XX	PCI-600NA* Part # E61072-XX	PCI-700NA* Part # E61084-XX
VA Rating	480	600	720	840
Frequency	60 Hz.	60 Hz.	60 Hz.	60 Hz.
BTU/Hr. Output	115	123	147	143
T.H.D. % Added	<1%	<1%	<1%	<1%
Load Surge Current @				
1/2 cycle	125 amps	175 amps	215 amps	237 amps
1 second	60 amps	84 amps	102 amps	114 amps
10 seconds	17 amps	24 amps	30 amps	33 amps
Input Voltage	120	120	120	120
Output Voltage	120	120	120	120
Output Current	4.0 amps	5.0 amps	6.0 amps	7.0 amps
Efficiency	93%	94%	94%	95%
Voltage Drop No Load to Full Load	7%	6%	6%	5%
Wall mountable*	Yes	Yes	Yes	Yes
Safety Agency Listing	UL and cUL	UL and cUL	UL and cUL	UL and cUL
Shipping Weight (lbs.)	16	18	20	22

* When ordering by model number, add "W" to model number above for wall mount option.

NOISE REJECTION-ISOLATION: With unit under power and an ANSI/IEEE C62.41Cat. A pulse applied either normal or common mode at the input, the noise output voltage will be less than 10V normal mode and less than 0.5V common mode in all four quadrants (CM-NM, NM-NM, CM-CM, NM-CM).

SURGE VOLTAGE WITHSTAND CAPABILITY: Tested under power to ANSI/IEEE C62.41 Cat. A & B (formerly IEEE587-1980). Cat. A - 6000V @ 200 amps, 0.5 usec risetime, 100 kHz decay, Cat. B - 6000V @ 500 amps, 0.5 usec risetime, 100 kHz decay.

North American Standard Conditioners - "C" Case Enclosure Available Plug/Receptacle Options

ETA Systems Part

PCI-400NA - E61051-XX**

PCI-500NA - E61060-XX**

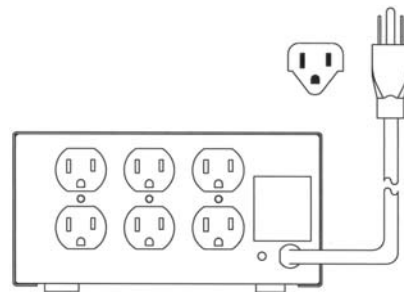
PCI-600NA - E61072-XX**

PCI-700NA - E61084-XX**

When ordering by part #, add two digit number from below in place of **XX to specify receptacle option desired.

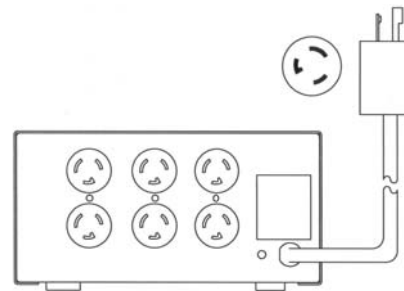
Option 1 - Standard Plugs/Receptacles

- 02 - 5-15P plug and two 5-15R duplex
- 20 - 5-15P plug and two 5-15R duplex with hexplex
- 22 - 5-15P plug and two 5-15R duplex with wallmount
- 30 - 5-15P plug and two 5-15R duplex with hexplex and wallmount



Option 3 - Twistlock Plugs/Receptacles

- 42 - L5-15P plug and two L5-15R duplex



Warranty/Support: ETA Systems warrants its power conditioners against defects in materials and workmanship for a period of five years from the date of shipment. For service or support on any ETA Systems product, please contact ETA Technical Support at (800) 321-6699.