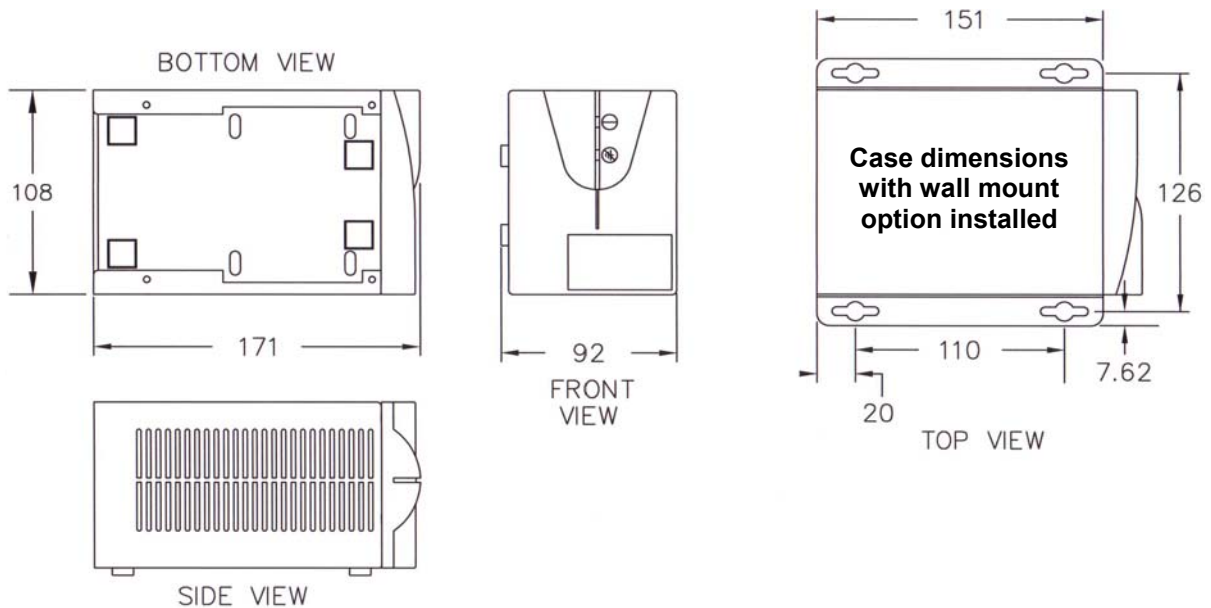


International Power Conditioners - "A" Case Enclosure



	PCI-150INT* Part # E62006-XX
VA Rating	150
Frequency	50/60 Hz.
BTU/Hr. Output	20
T.H.D. % Added	<1%
Load Surge Current @	
1/2 cycle	55 amps
1 second	20 amps
10 seconds	4.0 amps
Input Voltage	200-264
Output Voltage	200-264
Output Current	.65 amps
Efficiency	93%
Voltage Drop No Load to Full Load	8.4%
Wall mountable*	Yes
Safety Agency Listing	VDE
Shipping Weight (kgs.)	5

* When ordering by model number, add "W" to model number above for wall mount option.

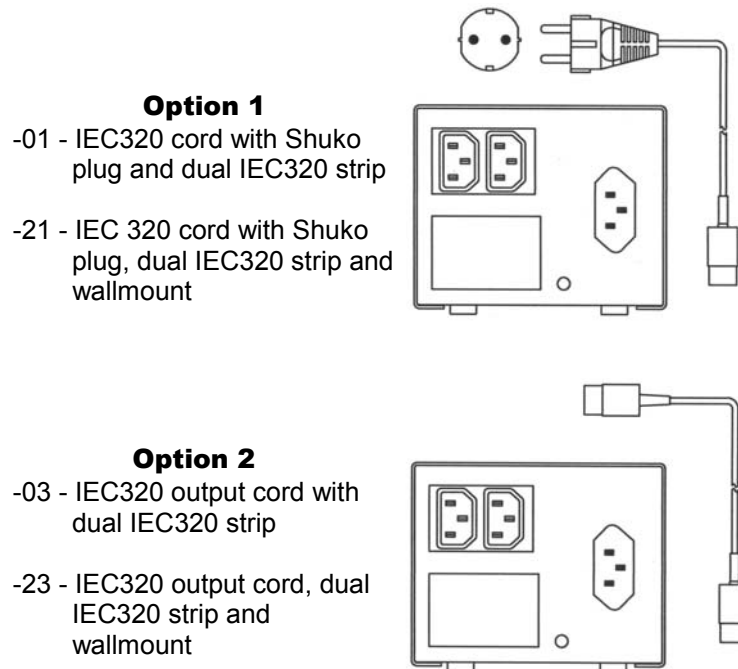
NOISE REJECTION-ISOLATION: With unit under power and an ANSI/IEEE C62.41Cat. A pulse applied either normal or common mode at the input, the noise output voltage will be less than 10V normal mode and less than 0.5V common mode in all four quadrants (CM-NM, NM-NM, CM-CM, NM-CM).

SURGE VOLTAGE WITHSTAND CAPABILITY: Tested under power to ANSI/IEEE C62.41 Cat. A & B (formerly IEEE587-1980). Cat. A - 6000V @ 200 amps, 0.5 usec risetime, 100 kHz decay, Cat. B - 6000V @ 500 amps, 0.5 usec risetime, 100 kHz decay.

International Power Conditioners - "A" Case Enclosure Available Plug/Receptacle Options

ETA Systems Part #
PCI-150INT - E62006-XX**

When ordering, add two digit number from below in place of **XX to specify receptacle option desired.



Warranty/Support: ETA Systems warrants its power conditioners against defects in materials and workmanship for a period of five years from the date of shipment. For service or support on any ETA Systems product, please contact ETA Technical Support at (800) 321-6699.