

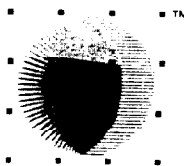
May 1991



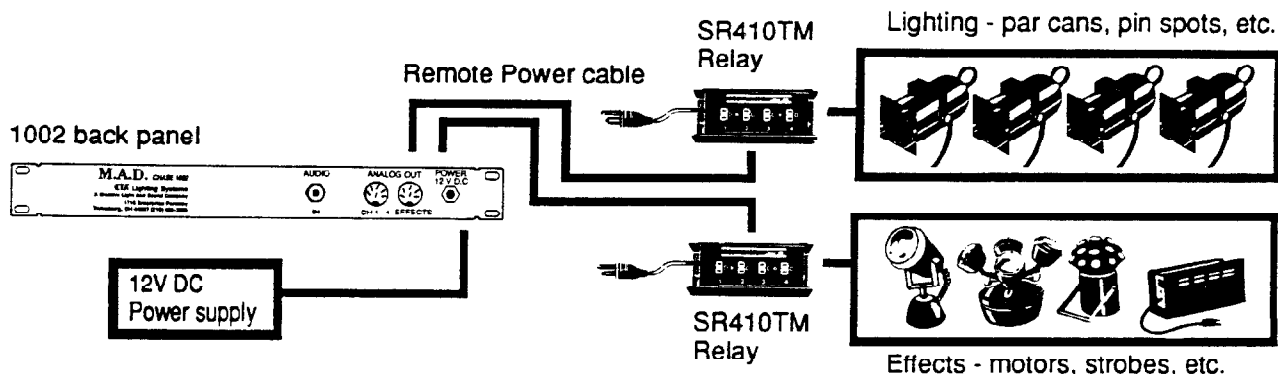
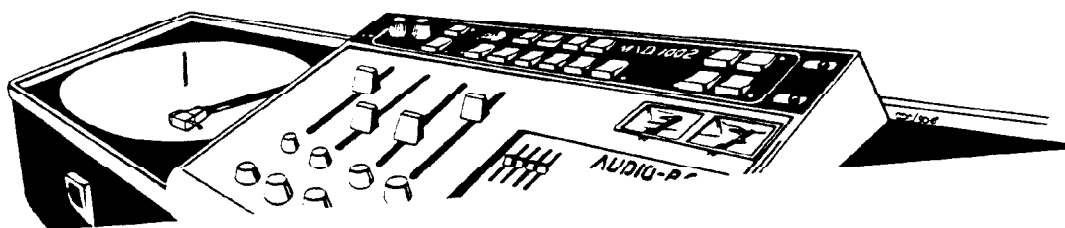
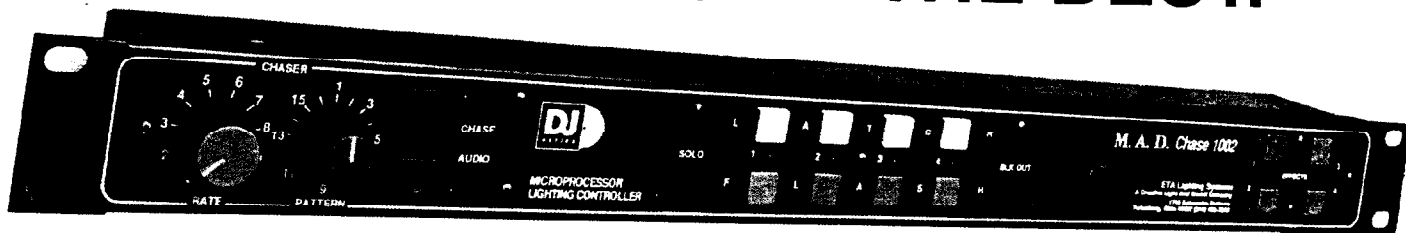
M.A.D. CHASE 1002

ETA SYSTEMS

A Creative Light & Sound Company
Division of National Biological Corporation
1532 Enterprise Parkway • Twinsburg, Ohio 44087
330-425-3388 • 800-321-6699 • Fax: 330 425-9700
http://www.etasys.com E-mail eta@etasys.com



M.A.D. DJs PERFORM THE BEST.



M.A.D. Chase 1002 is perfect for the mobile DJ.
It's easy to control, set up, and designed to fit in a DJ rack above the audio.

D.J. CONTROLLER

- Eight channel control, four lighting control channels & four effects control channels
- Standard 19" single rack space chassis mount
- 3" depth
- Shipping weight 4 lb.

EFFECTS CONTROL

- Four OFF/ON selector switches for effects
- Controller is powered by UL approved external low voltage power supply (included)

LIGHTING CONTROL

- Each channel has a flash button
- Each channel has a latch button

- Solo button converts 8 flash buttons to solo buttons
- Blackout button
- Preprogrammed 16 pattern chase selector switch
- Audio drive chase function
- Speed adjustable electronic chase trigger
- LED status monitors on all functions

SR410 TM RELAY

- 4 channels, 1000 watts per
- 1200 watts max. per unit
- 10 amps
- Dual pin in/out din connections for daisy chain
- Able to mount on Truss, tripod or crossbar
- Shipping weight 4 lbs.

SET UP SEQUENCE

- The control cables connect the controller from the analog out to the SR410TM relays. (Ultrplex connections are available for use with ETA Ultrplex Dimmers in non-dim usage.)
- Lights and effects plug into relays
- Connect audio line level to controller for audio sync
- SR410TM relays plug into standard 120V outlets
- Connect 12V power supply into controller and standard wall outlet. (Will power-up in Blackout.)