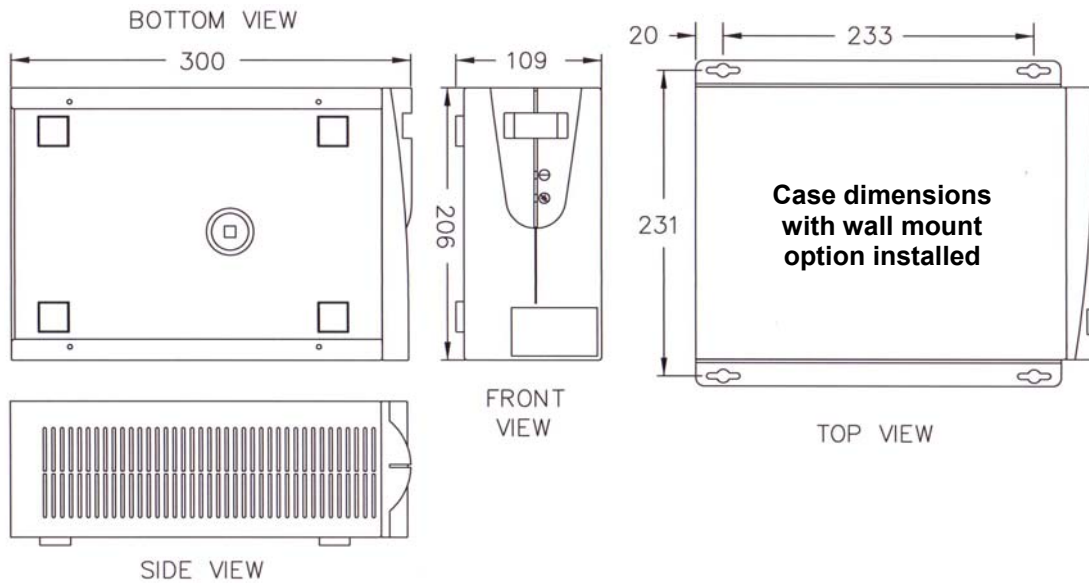


International Power Conditioners - "C" Case Enclosure



	PCI-500INT* Part # -62021-XXE	PCI-750INT* Part # -62031-XXE
VA Rating	500	750
Frequency	50/60 Hz.	50/60 Hz.
BTU/Hr. Output	85	128
T.H.D. % Added	<1%	<1%
Load Surge Current @		
1/2 cycle	100 amps	130 amps
1 second	48 amps	62 amps
10 seconds	14 amps	18 amps
Input Voltage	200-264	200-264
Output Voltage	200-264	200-264
Output Current	2.08 amps	3.12 amps
Efficiency	95%	95%
Voltage Drop No Load to Full Load	7.2%	6%
Wall mountable*	Yes	Yes
Safety Agency Listing	VDE	VDE
Shipping Weight (kgs.)	9	10

* When ordering by model number, add "W" to model number above for wall mount option.

NOISE REJECTION-ISOLATION: With unit under power and an ANSI/IEEE C62.41Cat. A pulse applied either normal or common mode at the input, the noise output voltage will be less than 10V normal mode and less than 0.5V common mode in all four quadrants (CM-NM, NM-NM, CM-CM, NM-CM).

SURGE VOLTAGE WITHSTAND CAPABILITY: Tested under power to ANSI/IEEE C62.41 Cat. A & B (formerly IEEE587-1980). Cat. A - 6000V @ 200 amps, 0.5 usec risetime, 100 kHz decay, Cat. B - 6000V @ 500 amps, 0.5 usec risetime, 100 kHz decay.

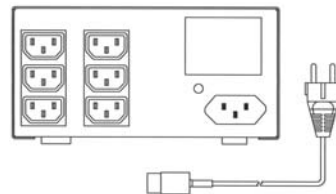
International Power Conditioners - "C" Case Enclosure

ETA Systems Part #
PCI-500INT - 62021-XXE**
PCI-750INT - 62031-XXE**

When ordering, add two digit number from below in place of **XX to specify option desired.

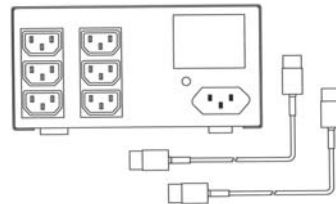
Option 1

- 01 - Two IEC320 receptacle strips with Shuko plug
- 21 - Two IEC320 receptacle strips with Shuko plug and wallmount adapter



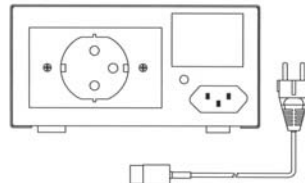
Option 2

- 03 - Two IEC320 receptacle strips with two output cords
- 23 - Two IEC320 receptacle strips with two output cords and wallmount adapter



Option 3

- 04 - Shuko plug with Shuko receptacle
- 08 - Shuko plug with Shuko receptacle and wallmount adapter



Warranty/Support: ETA Systems warrants its power conditioners against defects in materials and workmanship for a period of five years from the date of shipment. For service or support on any ETA Systems product, please contact ETA Technical Support at (800) 321-6699.