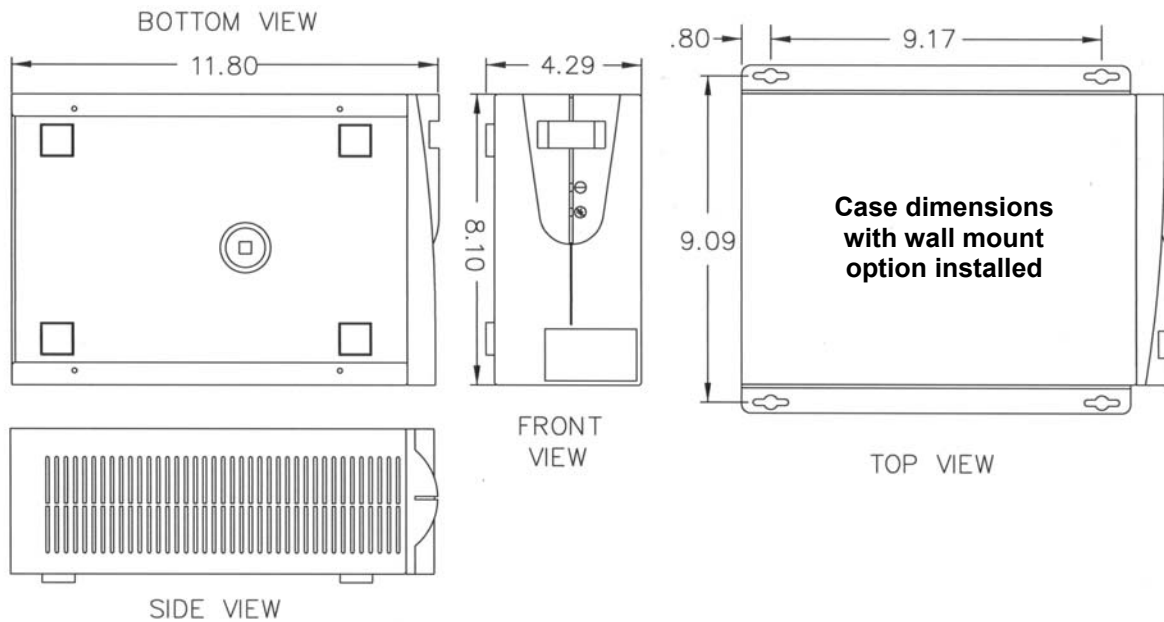


## North American Power Conditioners - "C" Case Enclosure



	<b>PCI-400NA*</b> Part # 61051-XXE	<b>PCI-500NA*</b> Part # 61060-XXE	<b>PCI-600NA*</b> Part # 61072-XXE	<b>PCI-700NA*</b> Part # 61084-XXE
<b>VA Rating</b>	480	600	720	840
<b>Frequency</b>	60 Hz.	60 Hz.	60 Hz.	60 Hz.
<b>BTU/Hr. Output</b>	115	123	147	143
<b>T.H.D. % Added</b>	<1%	<1%	<1%	<1%
<b>Load Surge Current @</b>				
<b>1/2 cycle</b>	125 amps	175 amps	215 amps	237 amps
<b>1 second</b>	60 amps	84 amps	102 amps	114 amps
<b>10 seconds</b>	17 amps	24 amps	30 amps	33 amps
<b>Input Voltage</b>	120	120	120	120
<b>Output Voltage</b>	120	120	120	120
<b>Output Current</b>	4.0 amps	5.0 amps	6.0 amps	7.0 amps
<b>Efficiency</b>	93%	94%	94%	95%
<b>Voltage Drop No Load to Full Load</b>	7%	6%	6%	5%
<b>Wall mountable*</b>	Yes	Yes	Yes	Yes
<b>Safety Agency Listing</b>	UL and cUL	UL and cUL	UL and cUL	UL and cUL
<b>Shipping Weight (lbs.)</b>	16	18	20	22

\* When ordering by model number, add "W" to model number above for wall mount option.

**NOISE REJECTION-ISOLATION:** With unit under power and an ANSI/IEEE C62.41 Cat. A pulse applied either normal or common mode at the input, the noise output voltage will be less than 10V normal mode and less than 0.5V common mode in all four quadrants (CM-NM, NM-NM, CM-CM, NM-CM).

**SURGE VOLTAGE WITHSTAND CAPABILITY:** Tested under power to ANSI/IEEE C62.41 Cat. A & B (formerly IEEE587-1980). Cat. A - 6000V @ 200 amps, 0.5 usec risetime, 100 kHz decay, Cat. B - 6000V @ 500 amps, 0.5 usec risetime, 100 kHz decay.

## North American Standard Conditioners - "C" Case Enclosure Available Plug/Receptacle Options

### ETA Systems Part #

**PCI-400NA - 61051-XXE\*\***

**PCI-500NA - 61060-XXE\*\***

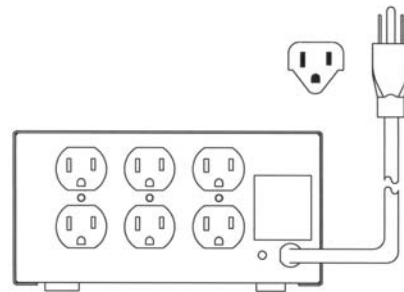
**PCI-600NA - 61072-XXE\*\***

**PCI-700NA - 61084-XXE\*\***

\*\*When ordering by part #, add two digit number from below in place of **XX** to specify receptacle option desired.

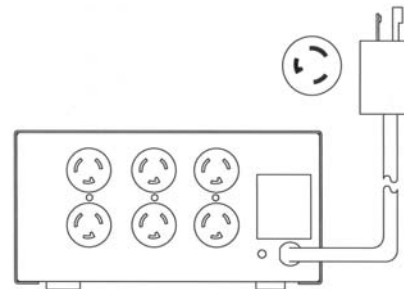
### **Option 1 - Standard Plugs/Receptacles**

- 02 - 5-15P plug and two 5-15R duplex
- 20 - 5-15P plug and two 5-15R duplex with hexplex
- 22 - 5-15P plug and two 5-15R duplex with wallmount
- 30 - 5-15P plug and two 5-15R duplex with hexplex and wallmount



### **Option 3 - Twistlock Plugs/Receptacles**

- 42 - L5-15P plug and two L5-15R duplex



**Warranty/Support:** ETA Systems warrants its power conditioners against defects in materials and workmanship for a period of five years from the date of shipment. For service or support on any ETA Systems product, please contact ETA Technical Support at (800) 321-6699.