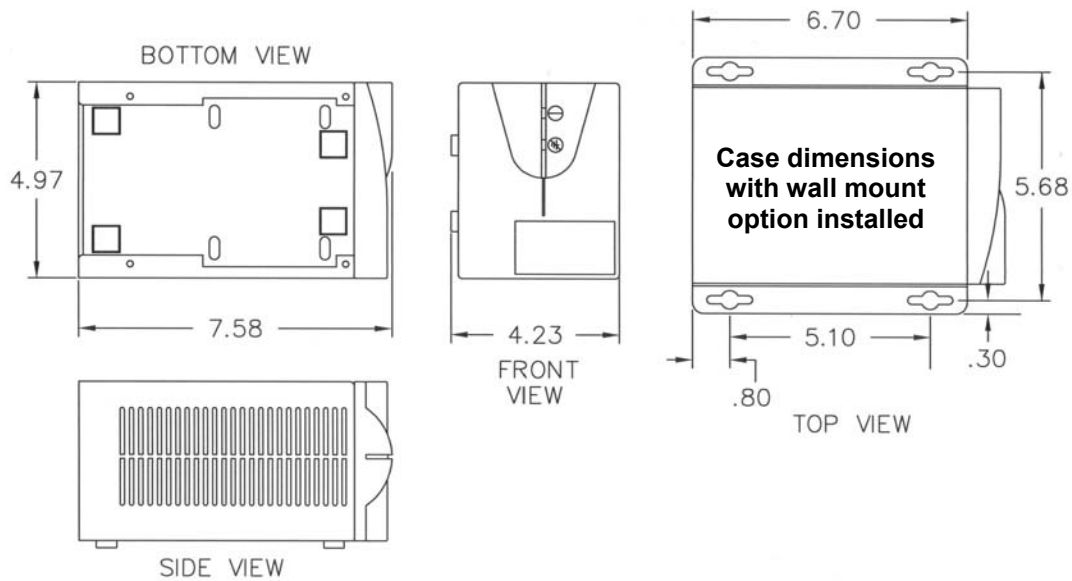


North American Power Conditioners - "B" Case Enclosure



	PCI-152NA* Part # 61025-XXE	PCI-202NA* Part # 61026-XXE	PCI-302NA* Part # 61036-XXE	PCI-402NA* Part # 61048-XXE
VA Rating	180	240	360	480
Frequency	60 Hz.	60 Hz.	60 Hz.	60 Hz.
BTU/Hr. Output	62	82	123	115
T.H.D. % Added	<1%	<1%	<1%	<1%
Load Surge Current @				
1/2 cycle	28 amps	38 amps	82 amps	125 amps
1 second	10 amps	14 amps	28 amps	60 amps
10 seconds	4.5 amps	6.0 amps	10 amps	17 amps
Input Voltage	120	120	120	120
Output Voltage	120	120	120	120
Output Current	1.5 amps	2.0 amps	3.0 amps	4.0 amps
Efficiency	90%	90%	90%	93%
Voltage Drop No Load to Full Load	10%	9%	6%	7%
Wall mountable*	Yes	Yes	Yes	Yes
Safety Agency Listing	UL and cUL	UL and cUL	UL and cUL	UL and cUL
Shipping Weight (lbs.)	8	9	11	12

* When ordering by model number, add "W" to model number above for wall mount option.

NOISE REJECTION-ISOLATION: With unit under power and an ANSI/IEEE C62.41 Cat. A pulse applied either normal or common mode at the input, the noise output voltage will be less than 10V normal mode and less than 0.5V common mode in all four quadrants (CM-NM, NM-NM, CM-CM, NM-CM).

SURGE VOLTAGE WITHSTAND CAPABILITY: Tested under power to ANSI/IEEE C62.41 Cat. A & B (formerly IEEE587-1980). Cat. A - 6000V @ 200 amps, 0.5 usec risetime, 100 kHz decay, Cat. B - 6000V @ 500 amps, 0.5 usec risetime, 100 kHz decay.

North American Standard Conditioners - "B" Case Enclosure Available Plug/Receptacle Options

ETA Systems Part

PCI-152NA - 61025-XXE**

PCI-202NA - 61026-XXE**

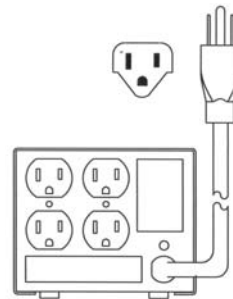
PCI-302NA - 61036-XXE**

PCI-402NA - 61048-XXE**

When ordering by part number, add two digit number from below in place of **XX to specify receptacle option desired.

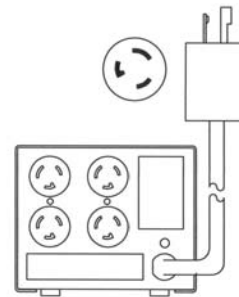
Option 1 - Standard Plugs/Receptacles

- 02 - 5-15P plug and two 5-15R duplex
- 22 - 5-15P plug and one 5-15R duplex with wallmount



Option 2 - Twistlock Plugs/Receptacles

- 42 - L5-15P plug and two L5-15R duplex



Warranty/Support: ETA Systems warrants its power conditioners against defects in materials and workmanship for a period of five years from the date of shipment. For service or support on any ETA Systems product, please contact ETA Technical Support at (800) 321-6699.