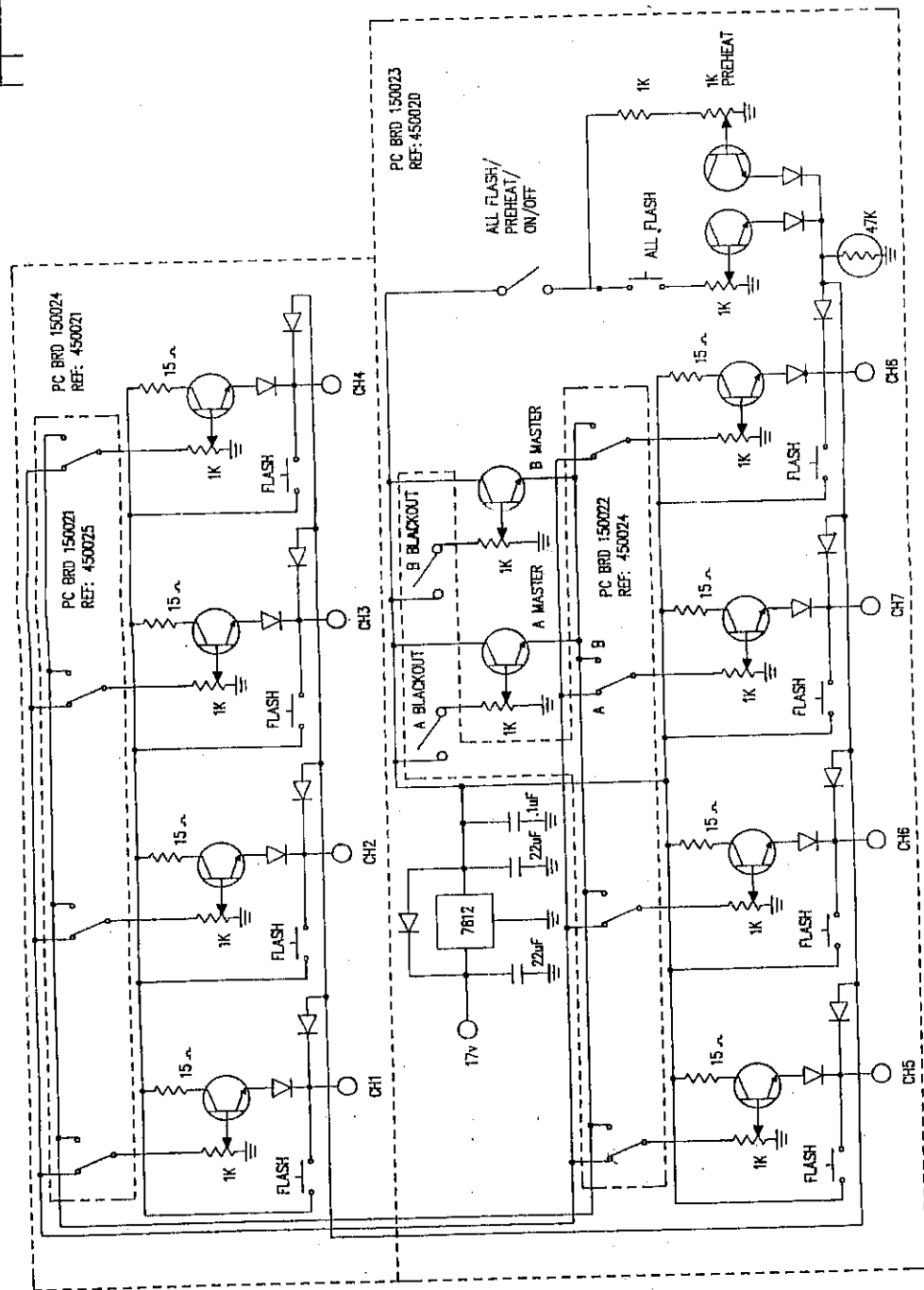
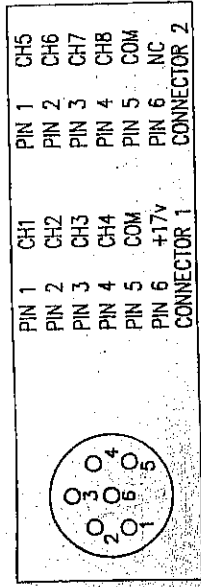


DWG. NO. 480006

REV.	DESCRIPTION	DATE	APPROVED



- NOTES:
1. ALL DIODES 1N4003
 2. ALL TRANSISTORS 2N4401



DRAWN BY	B HARSH	DATE	4/8/88
CHECKED		DATE	
UNLESS OTHERWISE SPECIFIED DIMENSIONS ARE IN INCHES TOLERANCES ARE: FRACTIONS DECIMALS ANGLES ± .005 ± .001 ±			
MATERIAL		FINISH	
CREATIVE LIGHT & SOUND CORPORATION	TWINSBURG, OHIO		
SCHEMATIC: MODELS 1204, 1208, 1212, 1218			
SIZE	B	DWG. NO.	480006
SHEET			1 OF 1