



GENTNER COMMUNICATIONS CORPORATION
1815 RESEARCHWAY
SANTA ANA, CALIFORNIA 92705
909.242.5200 FAX 909.272.8887

THIS DOCUMENT CONTAINS INFORMATION
UNCLASSIFIED EXCEPT WHERE SHOWN
OTHERWISE. IT IS UNCLASSIFIED IN ACCORDANCE
WITH THE COMPARISON PLAN FOR
UNCLASSIFIED COMPARISON INFORMATION.

DESIGN SPECIFICATION
APPROVAL

REVISION SPECIFICATION
APPROVAL

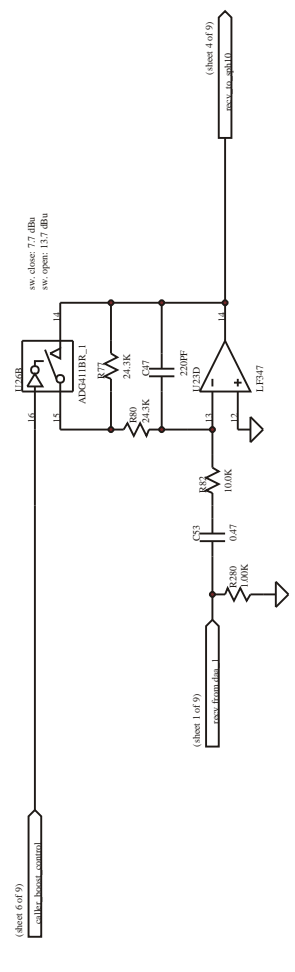
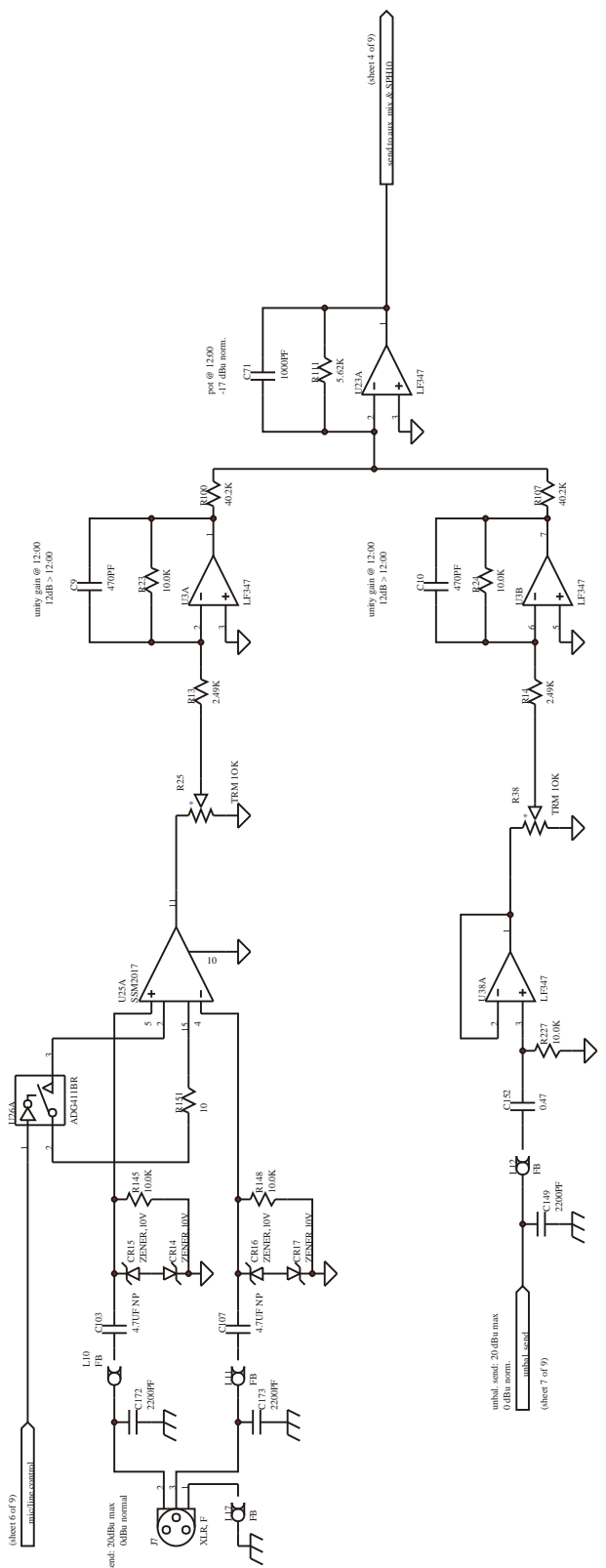
DRAWN BY: Pickett Orig
DATE: Jan. 15, 1997

APPROVED BY:
DATE:

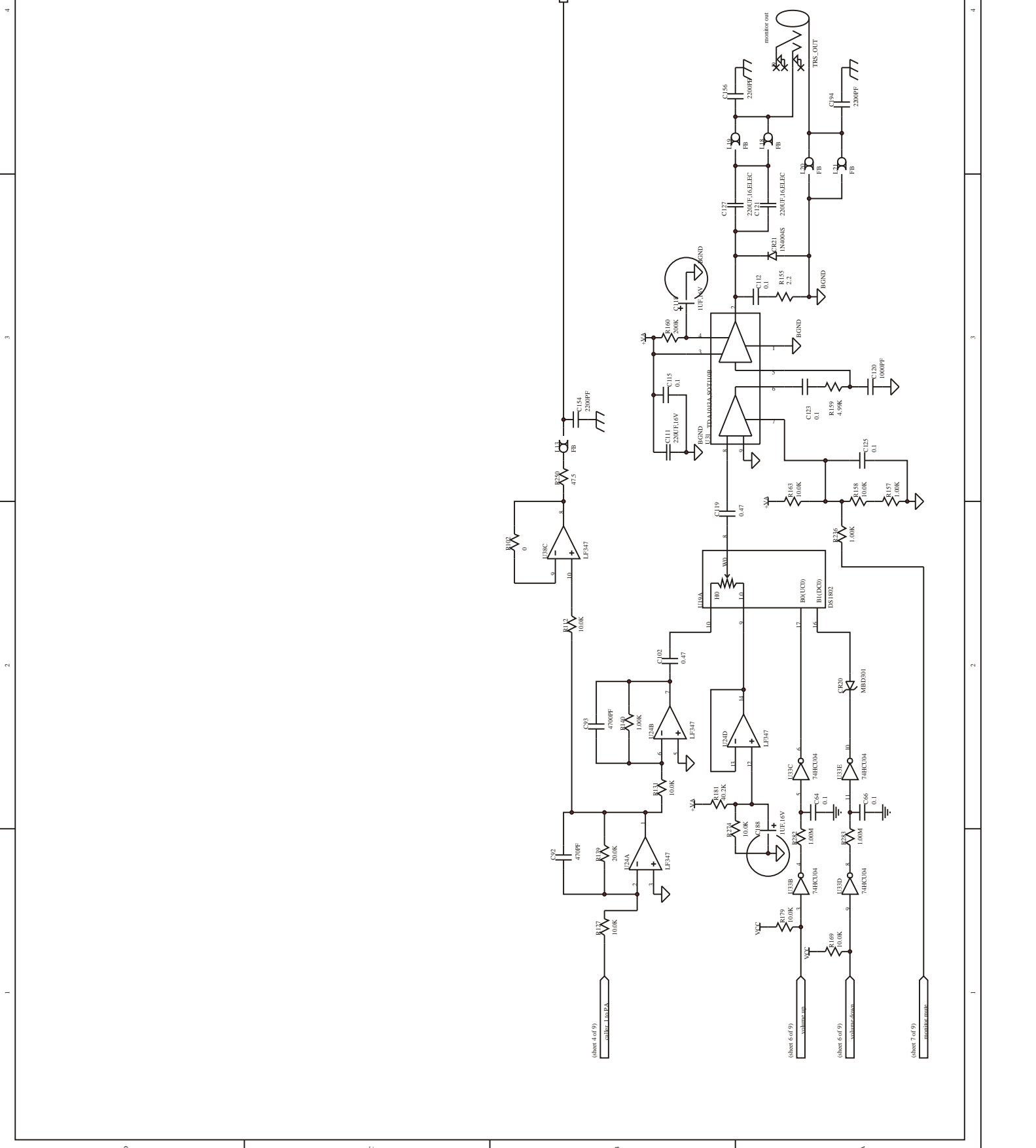
TITLE
SPFH0

DRAWING NO. SHEET
710-012-201 3 of 9
DATE PLOTTED REV.
16-May-1997 09:27:30 A1

4 3 2 1 4 3 2 1 4 3 2 1



1 2 3 4 1 2 3 4 1 2 3 4





GENTNER COMMUNICATIONS CORPORATION
 WESTBROOK, VT
 SALT LAKE CITY, UT 84119
 801.532.7200 FAX 801.532.7097

THIS DOCUMENT CONTAINS INFORMATION
 CONFIDENTIAL TO GENTNER COMMUNICATIONS CORPORATION AND
 IS NOT TO BE DISCLOSED TO ANY OTHER PARTY WITHOUT THE WRITTEN
 AUTHORIZATION OF GENTNER COMMUNICATIONS CORPORATION.

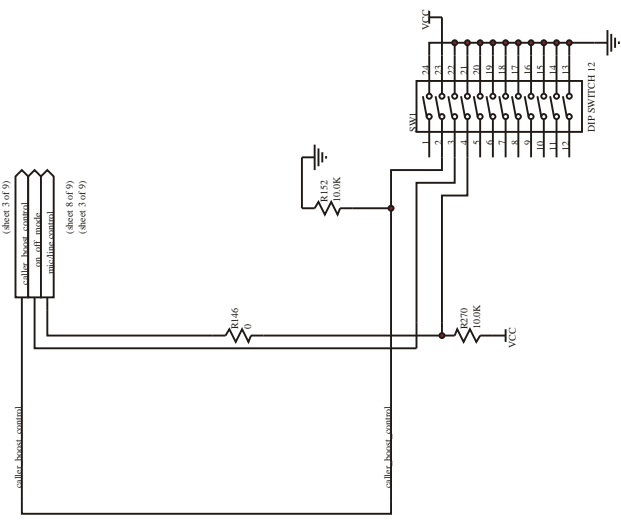
DESIGN SPECIFICATION
 APPROVAL

DESIGN SPECIFICATION
 APPROVAL

DRAWN BY: Philip Ong
 DATE: Jan. 15, 1997
 APPROVED BY:
 DATE:

TITLE
 SPH10

DRAWING NO. SHEET
 710-012-2201 6 of 9
 DATE PLOTTED REV.
 10-Sep-1997 10:02:27 A1





GENTNER COMMUNICATIONS CORPORATION
 1800 RESEARCH WAY
 10010 JENSEN CITY, IOWA 52149
 319-337-2220 FAX 319-337-2222

THIS DOCUMENT CONTAINS INFORMATION
 OF A CONFIDENTIAL NATURE AND
 IS NOT TO BE DISSEMINATED OR
 REPRODUCED IN ANY MANNER
 WITHOUT THE EXPRESS WRITTEN
 PERMISSION OF GENTNER COMMUNICATIONS CORPORATION.

REVISION SPECIFICATION
 APPROVAL

REVISION SPECIFICATION
 APPROVAL

DRAWN BY: Robert Ong
 DATE: Jan. 15, 1997
 APPROVED BY:
 DATE:

TITLE
 SPH10 ANALOG FILTER

SHEET
 8 of 9
 DRAWING NO.
 710-012-201
 DATE PLOTTED
 18 May 1997
 REV.
 10/20/23
 A1

