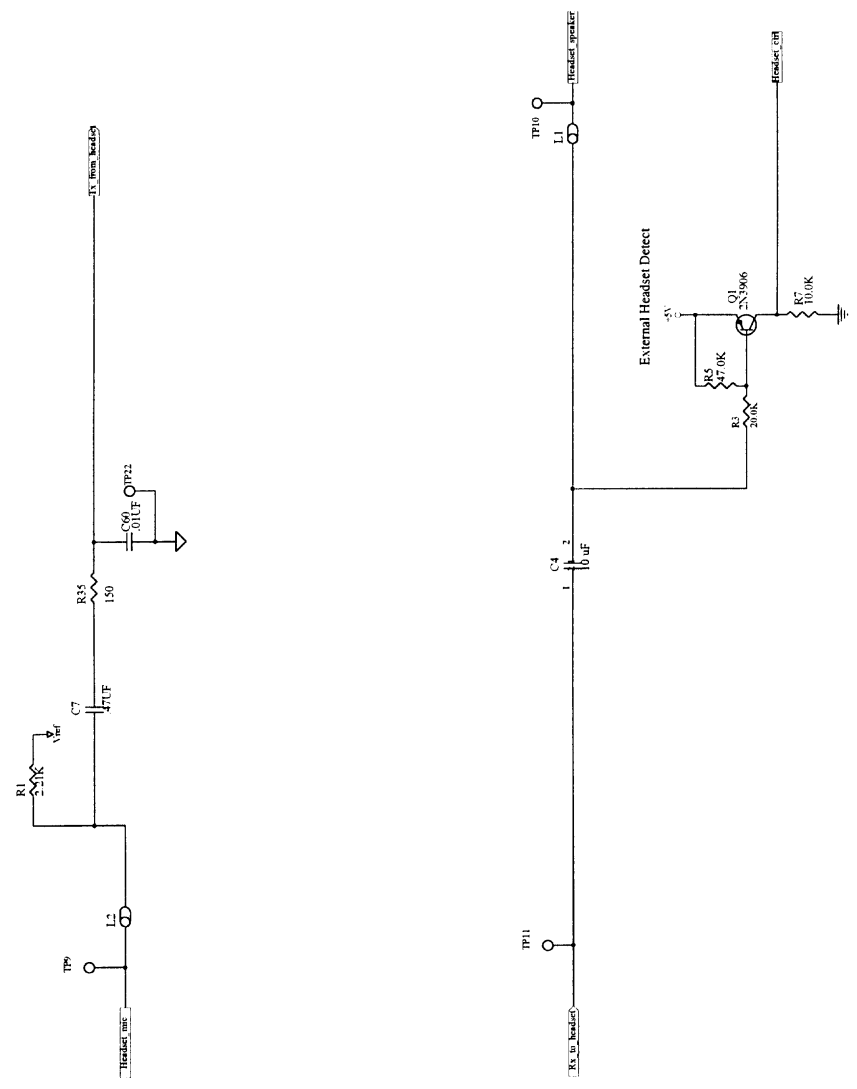


NOT TO SCALE	
DRAWN BY Tracy Baughst	DATE Feb 20, 1985
APPROVED BY	DATE
TITLE	
ET10 Electrical Schematics	
REV#	DATE
1 of 7	7/10/84-001
REV#	DATE
A3	14 Oct 1987 04:11:14

Gentner
 GENTNER COMMUNICATIONS CORPORATION
 1405 RESEARCH WAY
 WILSON, NJ 07094
 (908) 975-7200 FAX (908) 977-6987

THIS DOCUMENT CONTAINS INFORMATION PROPRIETARY TO GENTNER CORPORATION AND MAY NOT BE COPIED IN ANY MANNER WITHOUT THE AUTHORIZATION OF GENTNER COMMUNICATIONS CORPORATION



NOT TO SCALE

DRAWN BY Dave Lambert
 DATE Mar 1, 1995

APPROVED BY _____
 DATE _____

TITLE
 ET10 Headset Interface

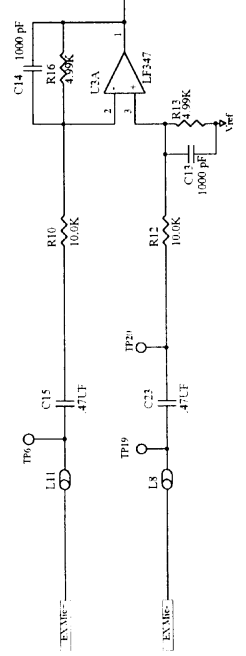
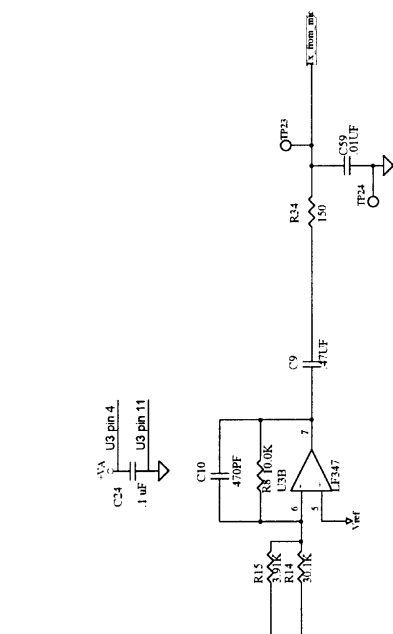
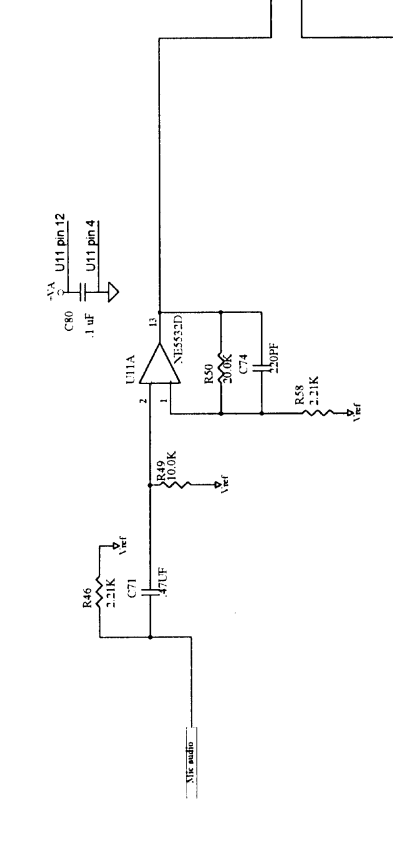
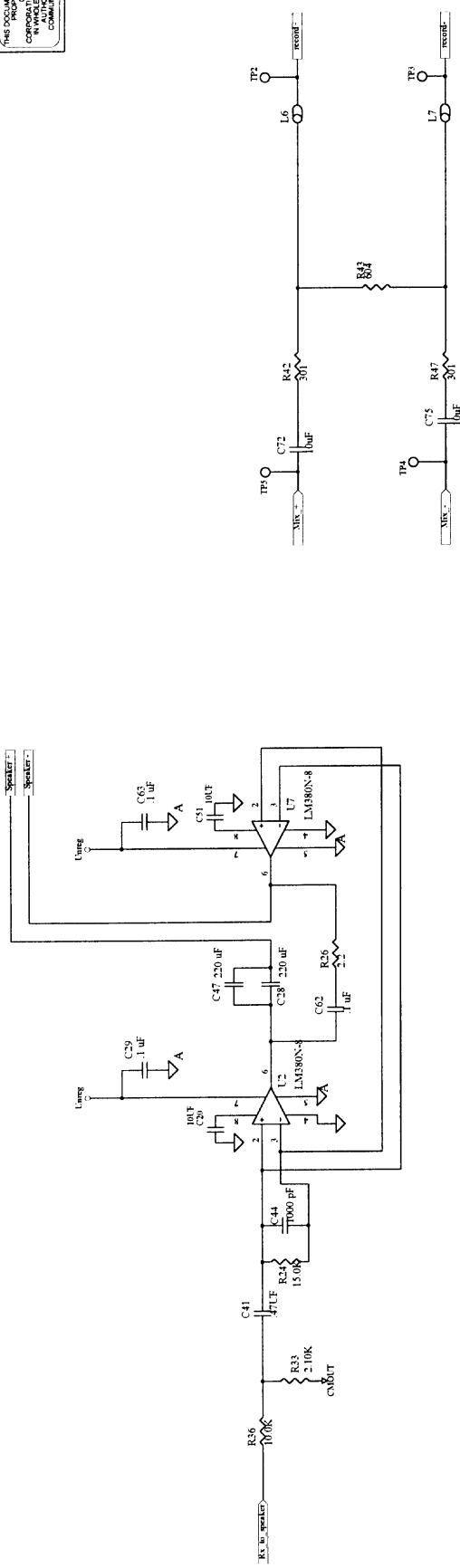
DRAWING NO.
 710-140-001

SHEET
 2 of 7

REV
 DATE PLOTTED
 14-03-97 08:11:16

6
 A3

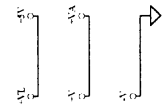
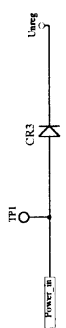
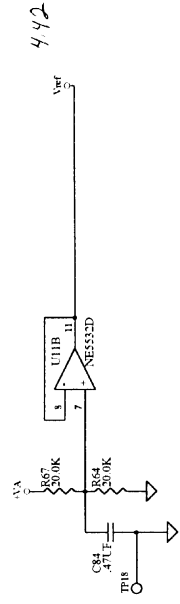
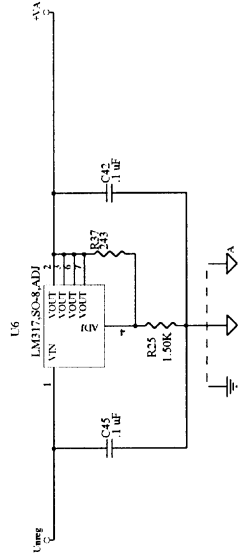
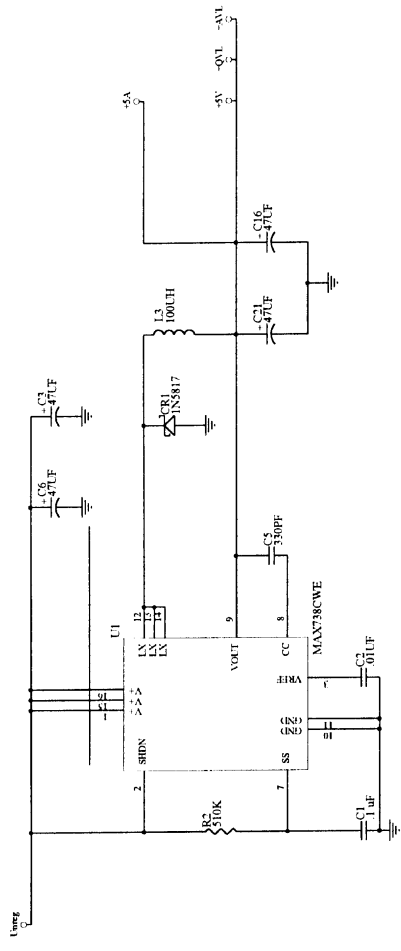
Internal speaker



NOT TO SCALE	
DRAWN BY: Dave Lambert	DATE: Feb 15, 1995
APPROVED BY:	DATE:
TITLE	
ET10 Room audio interface	
DRAWING NO.	SHEET
70-140-001	3 of 7
DATE PLOTTED	REV
14-Dec-95 08:11:11	A3
6	

Notes

1. Pins 3,5,6,10,11,15, and 16 of U1 are the connects
2. Pins 1,6,7,8, and 17 are the connects

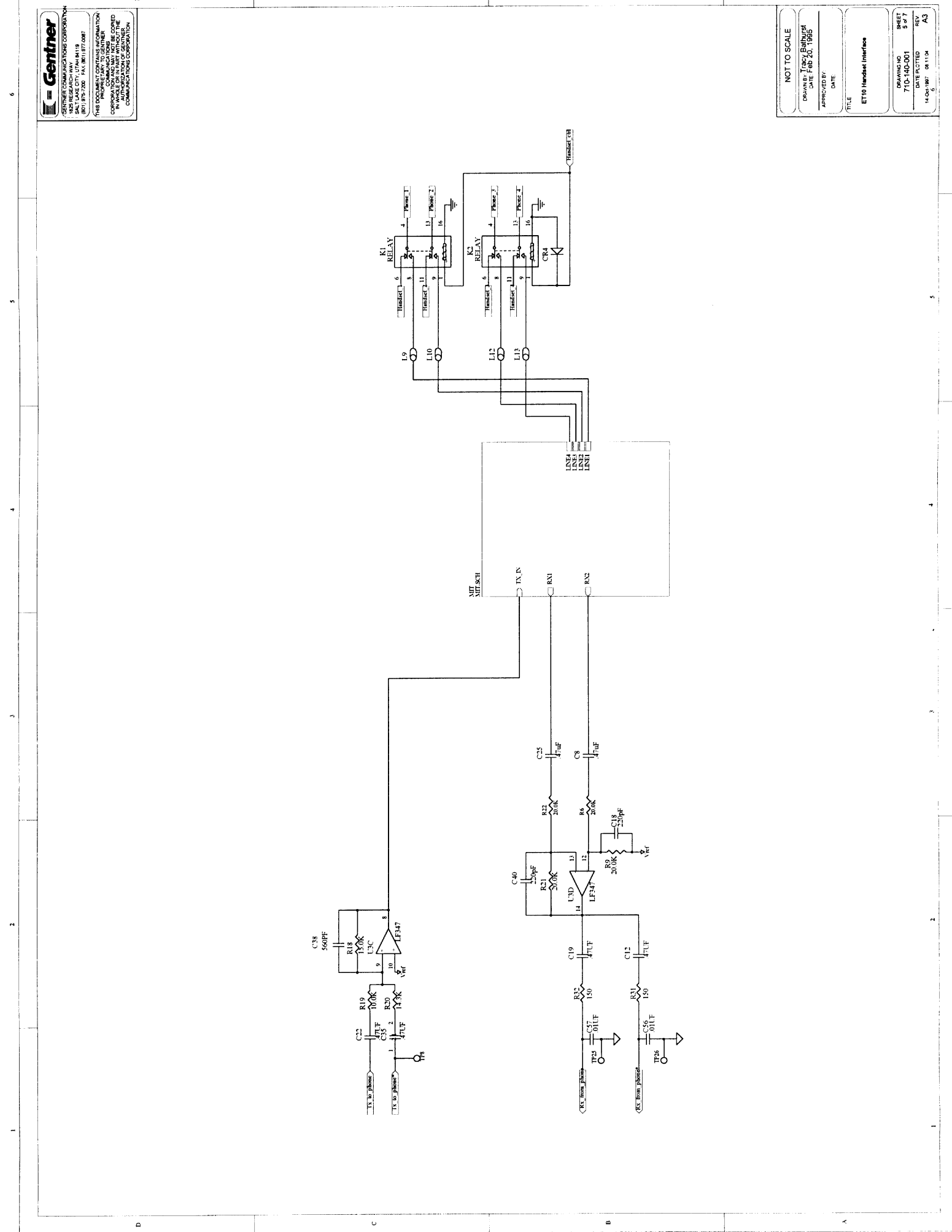
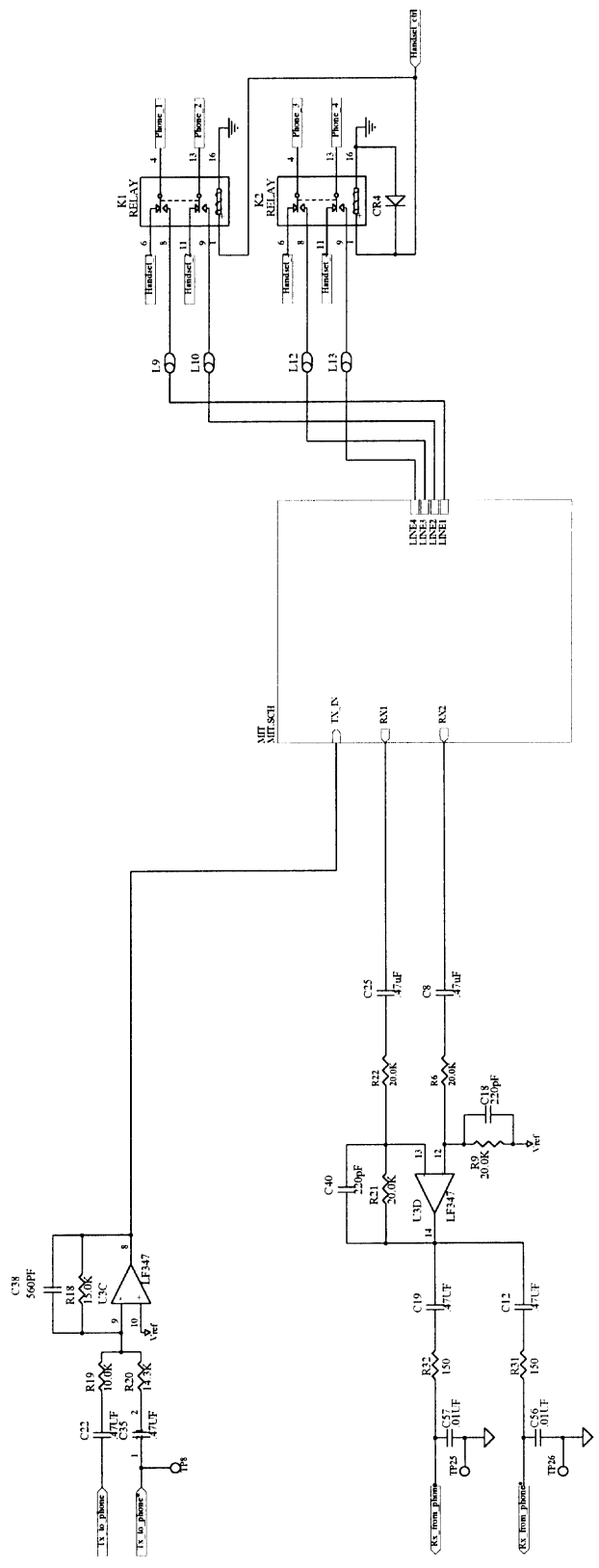


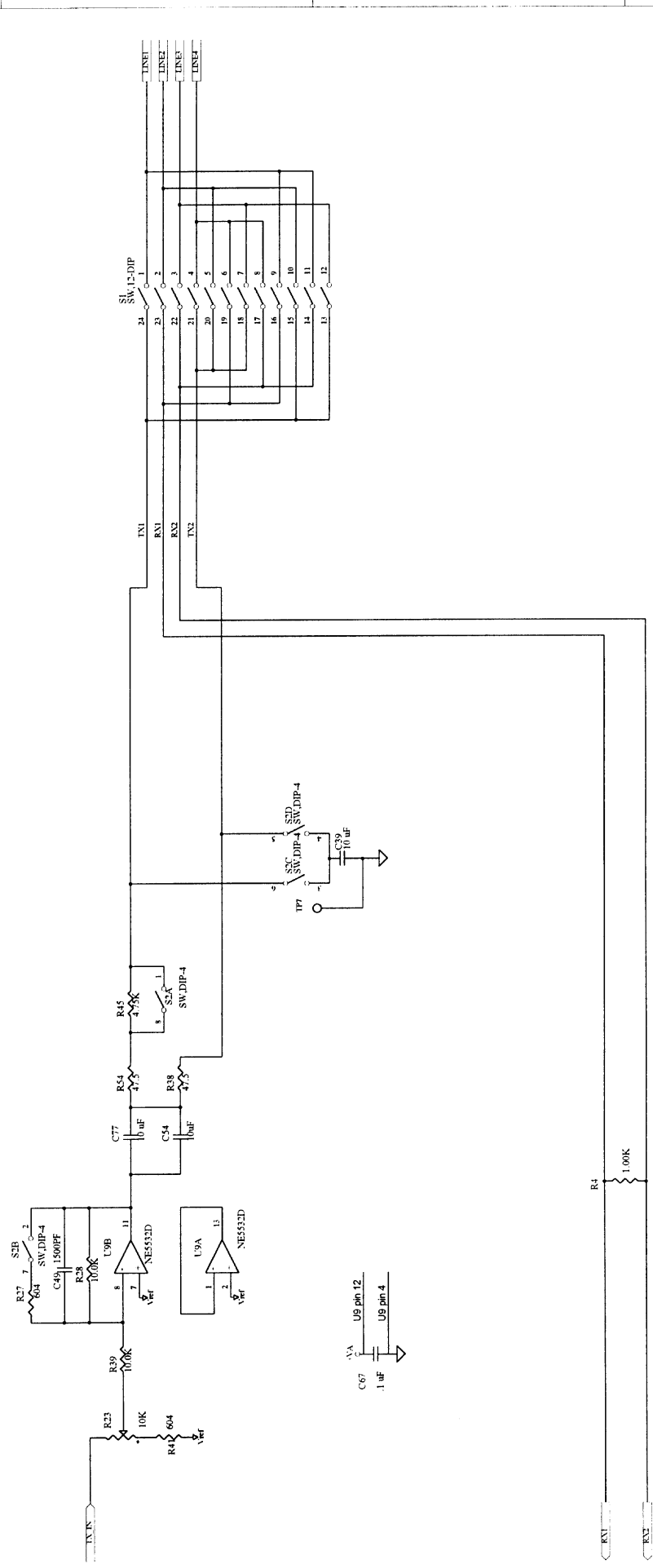
Notes:

1. Pins 4 and 5 of U6 are connected.
2. Pin 4 of U11B is connected to -5V.
3. The connection between -5V and -5V is shown for millit generation purposes only.
4. The connection between -5V and -5V is shown for millit generation purposes only.

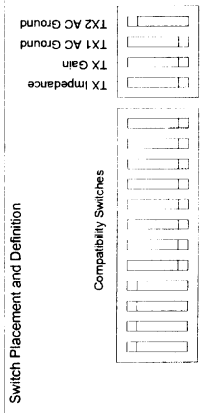
8.44

492

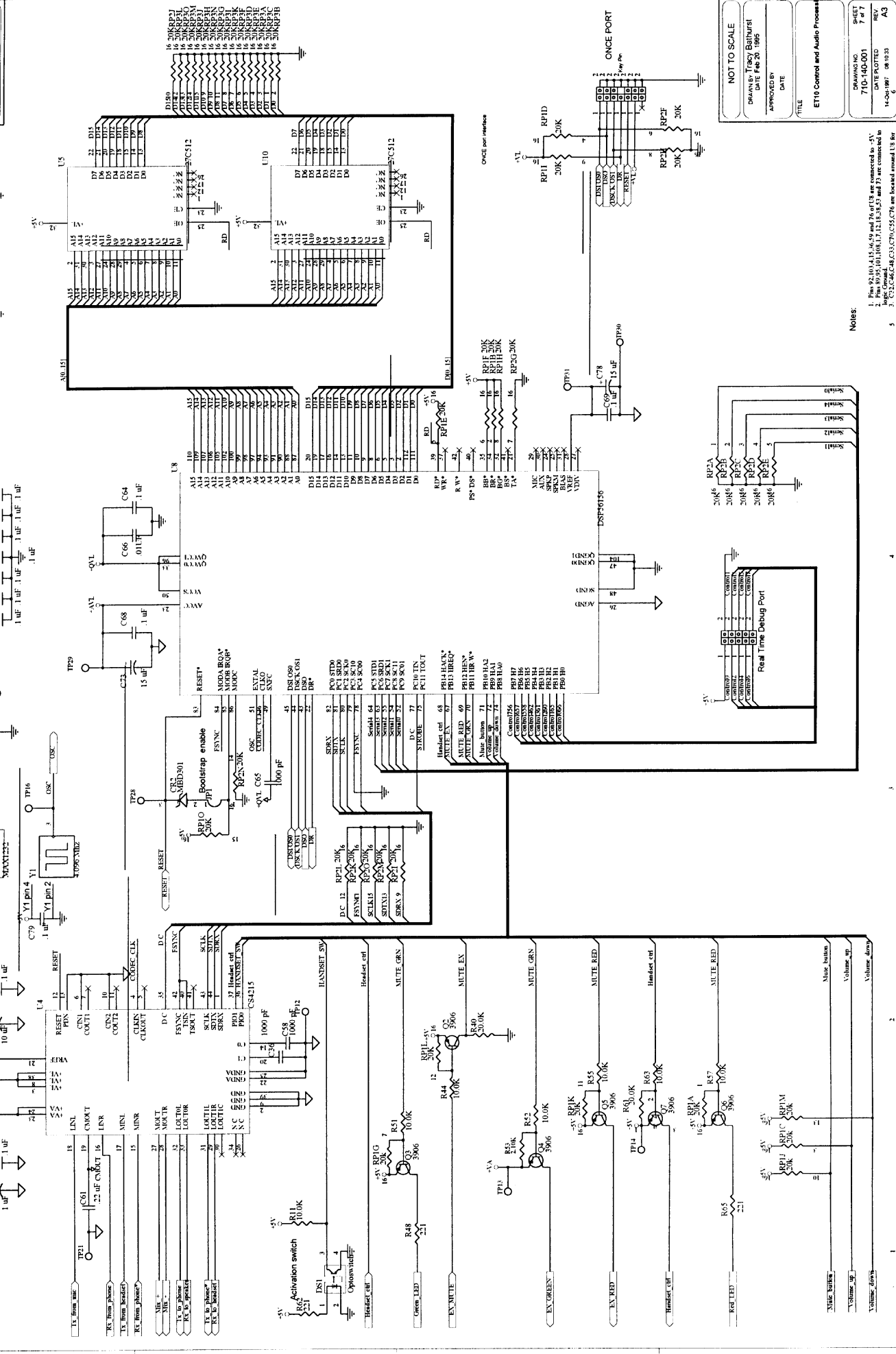




C67 U9 pin 12
 .1 uF U9 pin 4



Notes
 1. Pins 3,5,6,9,10,14,15,16 of U9 are no connects



NOT TO SCALE
 DRAWN BY: Tracy Balthurst
 DATE: Feb 20, 1995
 APPROVED BY: _____
 DATE: _____
 TITLE: _____
 ET10 Control and Audio Processing

Notes:
 1. Pin 45, 46, 47, 48, 49, 50, 51, 52, 53, 54, 55, 56, 57, 58, 59, 60, 61, 62, 63, 64, 65, 66, 67, 68, 69, 70, 71, 72, 73, 74, 75, 76, 77, 78, 79, 80, 81, 82, 83, 84, 85, 86, 87, 88, 89, 90, 91, 92, 93, 94, 95, 96, 97, 98, 99, 100 are connected to 5V.
 2. Pin 40, 41, 42, 43, 44, 45, 46, 47, 48, 49, 50, 51, 52, 53, 54, 55, 56, 57, 58, 59, 60, 61, 62, 63, 64, 65, 66, 67, 68, 69, 70, 71, 72, 73, 74, 75, 76, 77, 78, 79, 80, 81, 82, 83, 84, 85, 86, 87, 88, 89, 90, 91, 92, 93, 94, 95, 96, 97, 98, 99, 100 are connected to 5V.
 3. C1, C2, C3, C4, C5, C6, C7, C8, C9, C10, C11, C12, C13, C14, C15, C16, C17, C18, C19, C20, C21, C22, C23, C24, C25, C26, C27, C28, C29, C30, C31, C32, C33, C34, C35, C36, C37, C38, C39, C40, C41, C42, C43, C44, C45, C46, C47, C48, C49, C50, C51, C52, C53, C54, C55, C56, C57, C58, C59, C60, C61, C62, C63, C64, C65, C66, C67, C68, C69, C70, C71, C72, C73, C74, C75, C76, C77, C78, C79, C80, C81, C82, C83, C84, C85, C86, C87, C88, C89, C90, C91, C92, C93, C94, C95, C96, C97, C98, C99, C100 are connected to 5V.

DRAWING NO: 710-140-001
 SHEET: 7 of 7
 DATE PLOTTED: 14-Oct-1997 08:10:33
 REV: A3