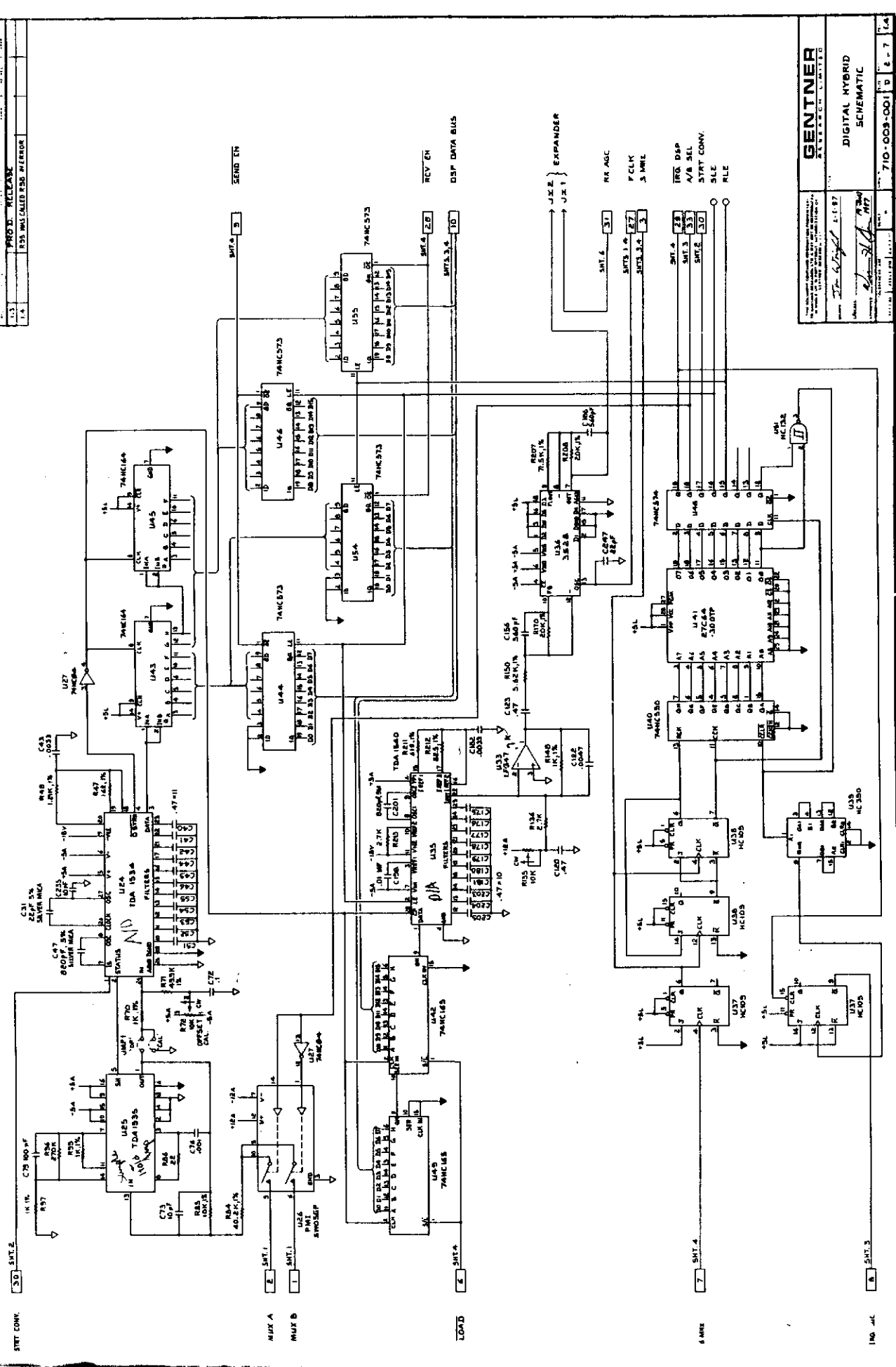
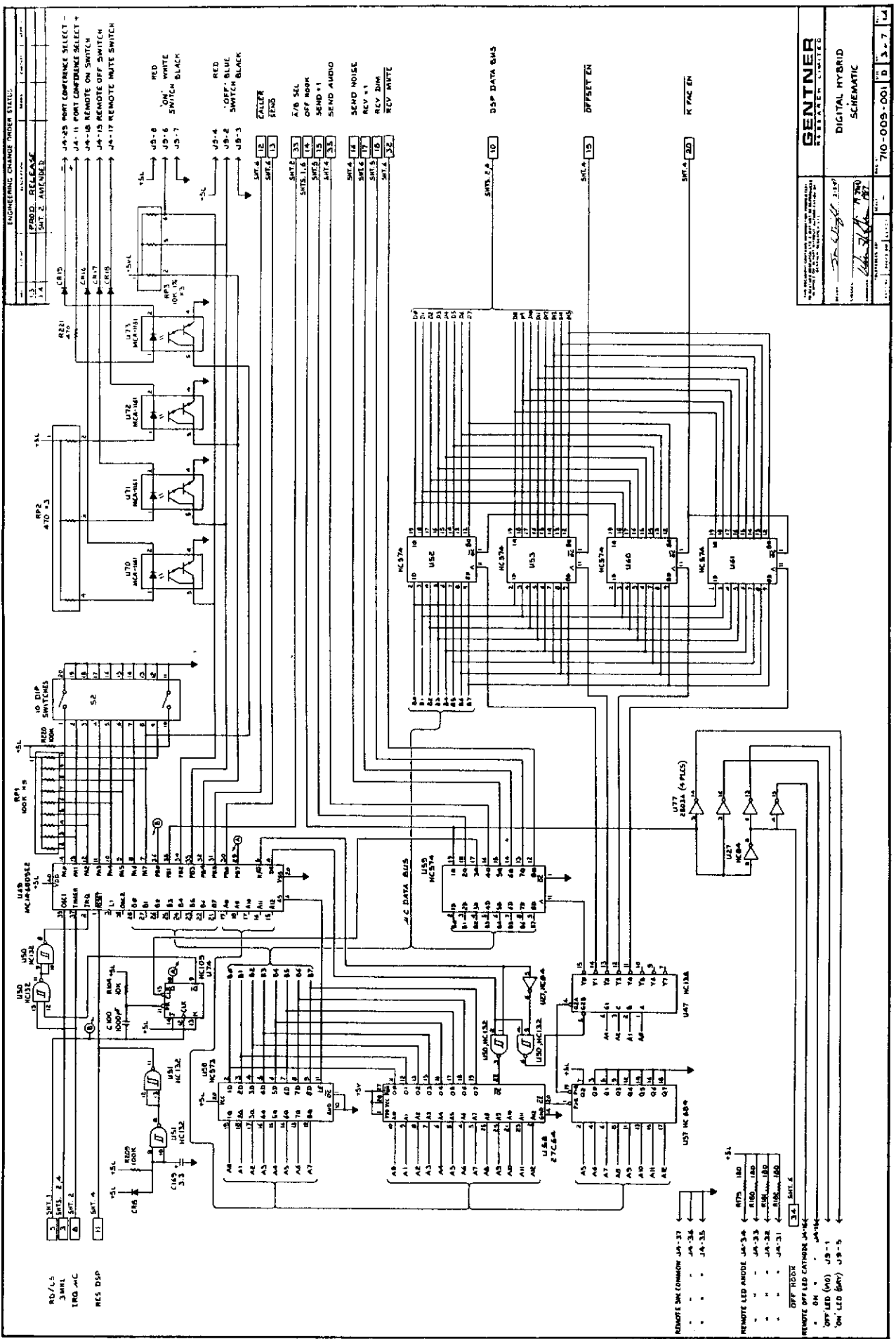


NOTE:
 1. UNLESS OTHERWISE SPECIFIED:
 A. FIXED RESISTOR VALUES ARE IN OHMS.
 B. CAPACITOR VALUES ARE IN MICROFARADS.
 C. DIODES ARE IN AM-8.
 D. VOLTAGES ARE D.C.
 E. OP. AMPS. ARE LF347.
 2. [] [] ETC. INDICATE CONNECTIONS BETWEEN DRAWING SHEETS.
 3. FOR BYPASS CAPS AND POWER & GND CONNECTIONS ICS REFER TO SHEET 7, (C-SIZE).





ENGINEERING CHANGE ORDER STATUS:

1.3	PROD. RELEASE
1.4	SMT 2 AMENDED

J4-25 PORT CONFERENCE SELECT -
 J4-11 PORT CONFERENCE SELECT +
 J4-16 REMOTE ON SWITCH
 J4-15 REMOTE OFF SWITCH
 J4-17 REMOTE MUTE SWITCH

RED
 ON WHITE
 SWITCH BLACK

J5-4
 J5-2
 J5-3

SWT 12
 SWT 13

F/V 5SL
 OFF BOPK
 SEND '1'
 SEND AUDIO

SEND NOISE
 REV '1'
 REV DIM
 REV MUTE

DSP DATA BUS

OFFSET EN

K FAC EN

RD/L5
 3MHL
 TRQ MC

RES DSP

REMOTE SW COMMON J4-37
 " " " " J4-36
 " " " " J4-35

REMOTE LED ANODE J4-34
 " " " " J4-33
 " " " " J4-32
 " " " " J4-31
 " " " " J4-30

OFF LED
 ON LED (W) J5-1
 ON LED (B) J5-5

GENTNER
 SYSTEMS LIMITED

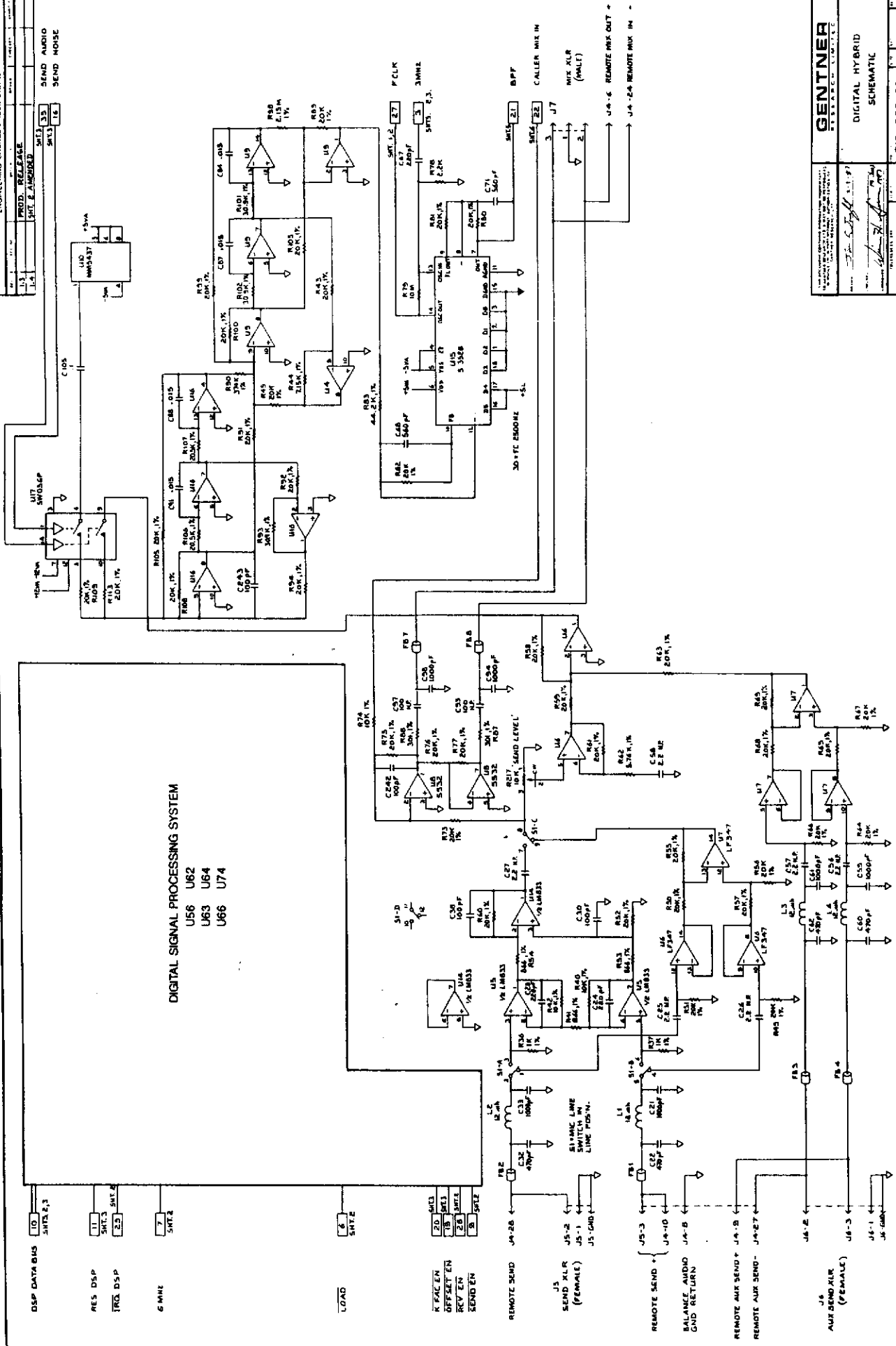
DIGITAL HYBRID
 SCHEMATIC

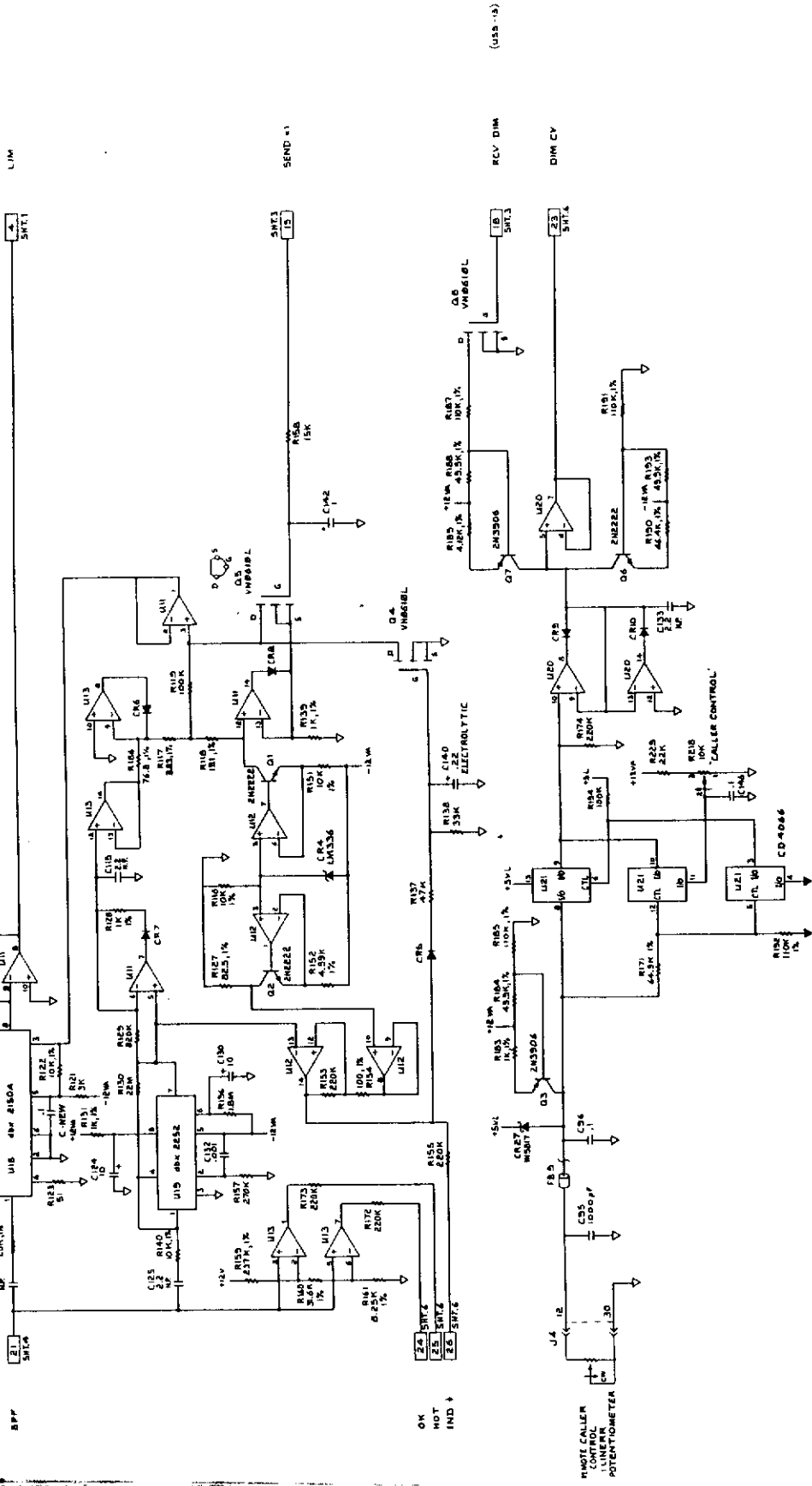
REV: 1.000
 DATE: 11/11/88
 DRAWN: [Signature]
 CHECKED: [Signature]
 APPROVED: [Signature]

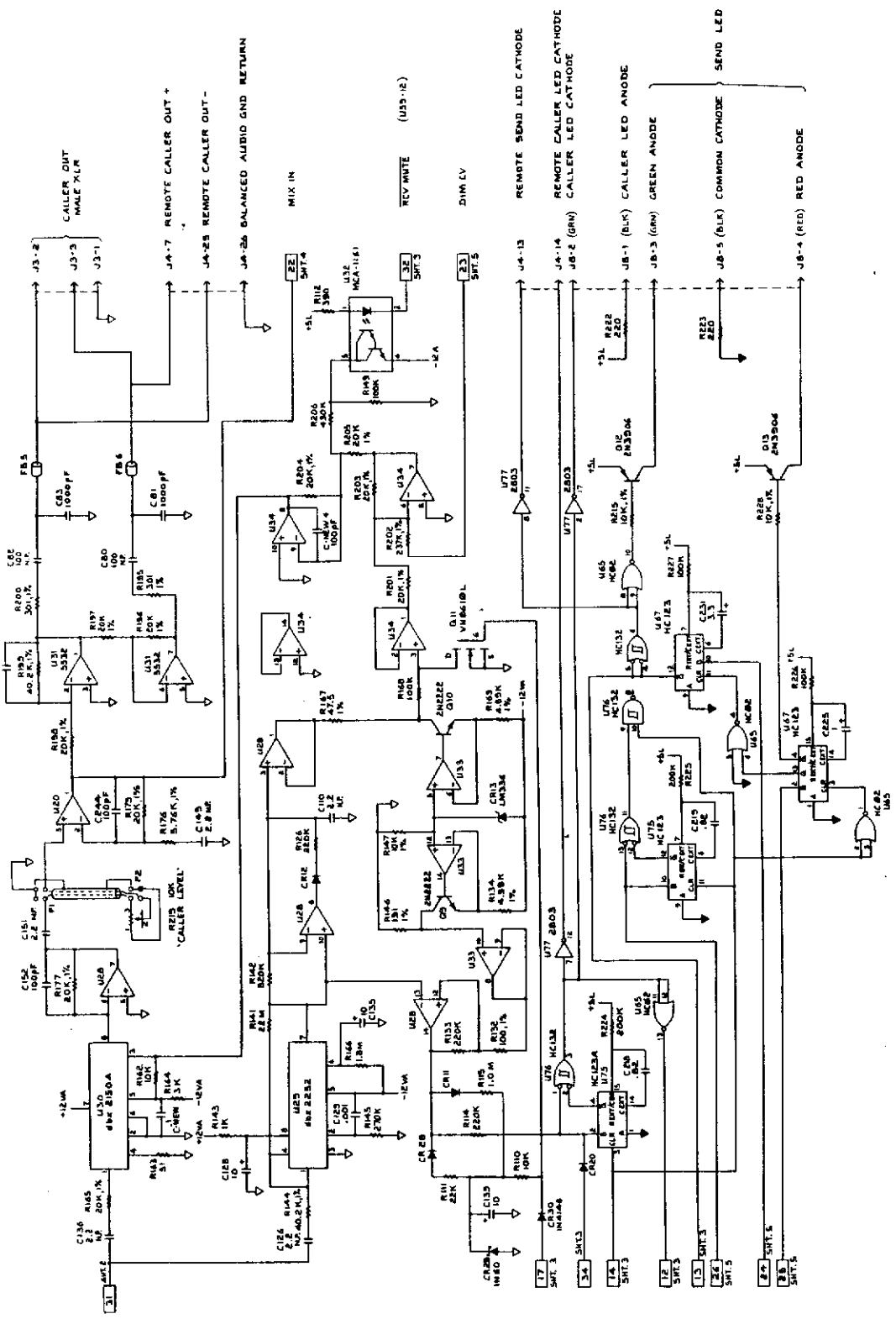
710-009-001 D 3-7

DIGITAL SIGNAL PROCESSING SYSTEM

U56 U62
U63 U64
U66 U74







RE ASC
 (U55-14) REV-1
 OFF HOOK
 OFF HOOK
 CALLER
 SEND
 IND +
 OK
 HOT