

Set-Top Codec Mounting Kit

Camera Accessories

Packing list

Be sure you received the following items:

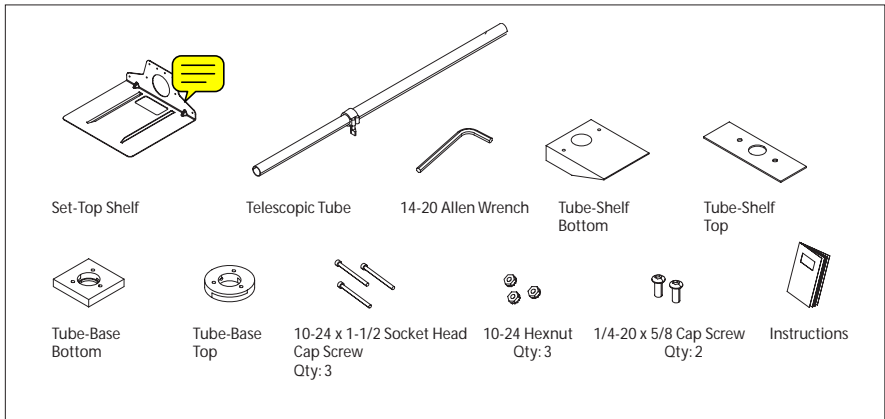


Figure 1.0 Unpacking

If you are missing any items, please contact the ClearOne Technical Services Group 1-800-283-5936 (USA) or 1-801-974-3760

To assemble the Set-Top Shelf kit

1. Insert two Cap Screws into the positioning holes on the Tube-Shelf Top.
2. Sandwich Set-Top Shelf between Tube-Shelf Top and Tube-Shelf Bottom making sure the Cap Screws pass through the positioning holes on the Tube-Shelf Bottom.
3. Tighten Cap Screws using the Allen Wrench.

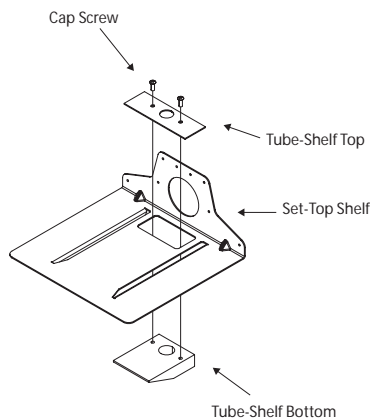


Figure 2.0 Tube-Shelf assembly

INSTRUCTION SHEET

- Place **Tube-Base Top** over the 2" hole in the top of the cart and insert three **Socket Head Cap Screws** into the positioning holes.
- Place **Tube-Base Bottom** under 2" hole in the top of the cart making sure the **Socket Head Cap Screws** pass through the positioning holes.

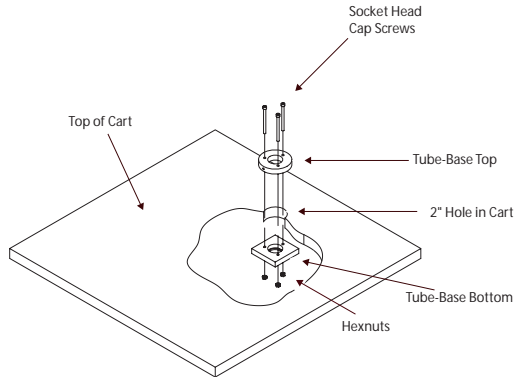





Figure 3.0 Tube-Base assembly

 **Note:** Carts come with 2" precut hole in top.

- Use the **Allen Wrench** to tighten **Hexnuts** onto the **Socket Head Screws**.
- Insert **Telescopic Tube** into **Tube-Base**.
- Insert **Telescopic Tube** into the **Tube-Shelf**.

 **Note:** Adjust **Telescopic Tube** height by turning the knob on the tube, raising or lowering tube to desired height and then tightening knob to secure height. **Telescopic Tube** can be adjusted to a height of approximately 45".

 **Note:** When placing a set-top codec on the **Set-Top Shelf**, be sure to use the mounting equipment that comes with the codec.

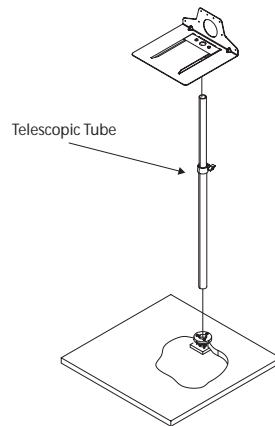


Figure 4.0 Complete assembly