



Fax

To: Greg Mack

Date: October 29, 2004

Fax: 219-929-4377

Pages: 10

From: Michelle Guggisberg

Re: Specs for Bose Ceiling Mount
Speakers that ship with RAV

Comments:

Greg,

This is what ships with the ceiling mount speakers. There is only white available. Sorry we didn't have anything in electronic format. Please let me know if you need anything else.

Thanks!

Michelle Guggisberg
Inside Sales Account Manager
ClearOne Communications
800-945-7730 x3772
michelle.guggisberg@clearone.com

Bose® FreeSpace® Model 16 Loudspeaker

Installation Guide*

Installationsvejledning*

Installationsanleitung*

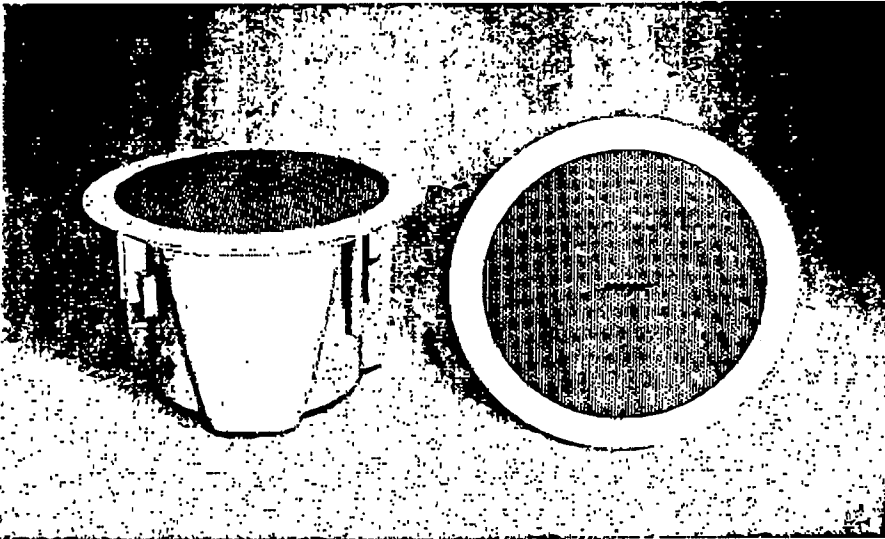
Guía de instalación*

Guide d'installation*

Guida all'installazione*

Installatiehandleiding*

Installationsanvisning*

BOSE®

* For use by trained installers only
* Kun til brug for erfarne installatører

* Montage ausschließlich durch ausgebildetes Installationspersonal
* Para uso exclusivo de instaladores capacitados
* Réservé aux installateurs ayant suivi une formation
* Solo per l'uso da parte di installatori professionisti
* Uitsluitend voor gebruik door ervaren installateurs
* Ska endast användas av utbildade installatörer

**DECLARATION OF CONFORMITY**

We, the offerer:

Bose Corporation, The Mountain, Framingham, MA 01701-9168 USA

acknowledge our sole responsibility, that the product:

Kind of equipment: Loudspeaker

Type designation: Model 16 loudspeaker

in accordance with EMC Directive 89/336/EEC and Article 10(1) of the Directive,
is in compliance with the following norm(s) or document(s):

Technical regulations: EN 50081-1, EN 50082-1

Accredited by:

Bose Corporation, The Mountain, Framingham, MA 01701-9168 USA

March 20, 2002

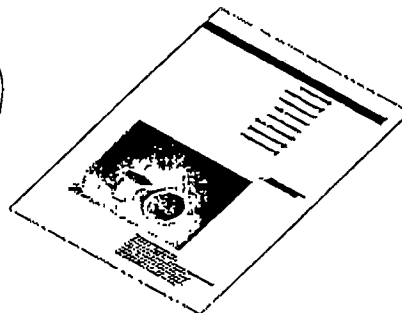
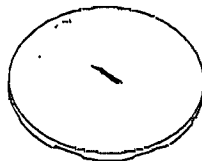
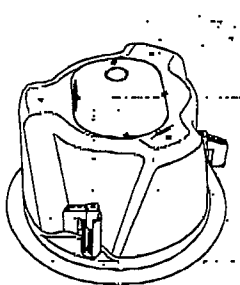
Bose Products B.V.
Nijverheidstraat 8, 1135 GE Edam
The Netherlands

Nic Merks
Vice President, Europe
Manufacturer's authorized EU representative

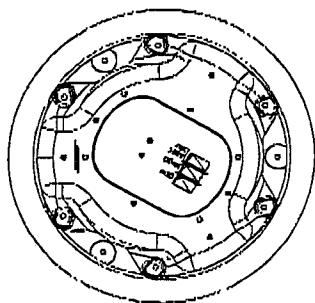
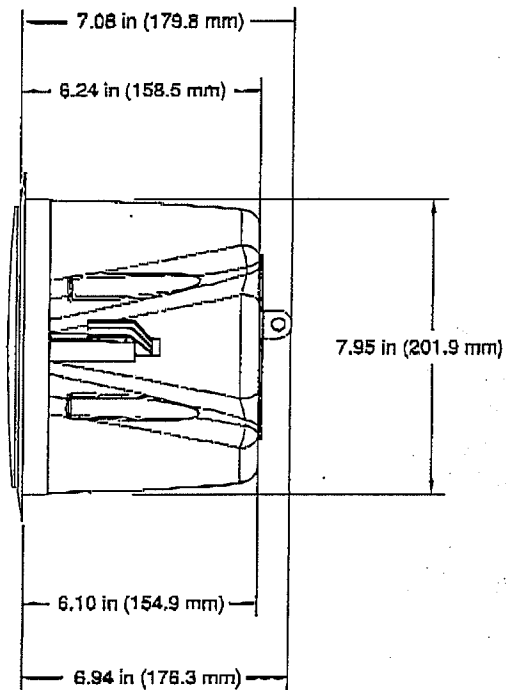
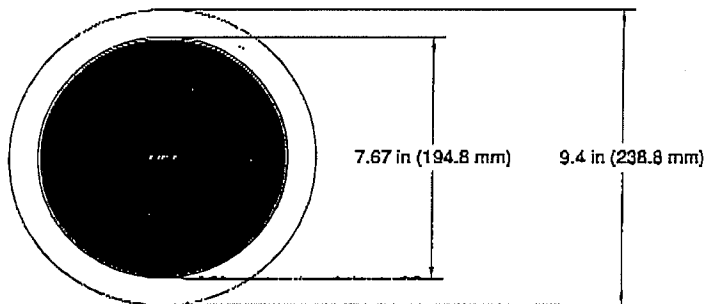
The Bose® FreeSpace® Model 16 loudspeaker has been certified as a fire protective signaling loudspeaker for fire protective signaling use in accordance with UL1480. The Model 16 loudspeaker also complies with the requirements of NFPA 70, National Electric Code 2002, Article 300-22(c), and UL2043 for use in air handling spaces, and NFPA 90A-1996 Installation of Air Conditioning and Ventilation Systems, Section 2-3.10.1(a), Exception 3 when used with the Model PC-16 cover accessory.

Installation

Package Contents
Kassen indeholder
Packungsinhalt
El paquete contiene
Contenu de l'emballage
Contenuto della confezione
Inhoud van de verpakking
Paketets innehåll



Dimensions
Mål
Abmessungen
Dimensiones
Dimensions
Dimensioni
Afmetingen
Dimensioner

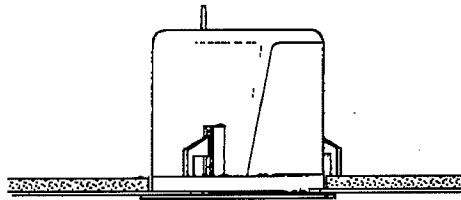


ENGLISH
 DEUTSCH
 ESPANOL
 ITALIANO
 NEDERLANDS
 SKEN

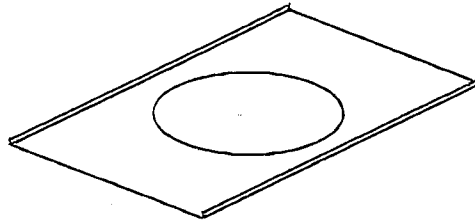
Installation

- Choices**
- Valgmuligheder**
- Optionen**
- Opciones**
- Au choix**
- Opzioni**
- Keuzes**
- Alternativ**

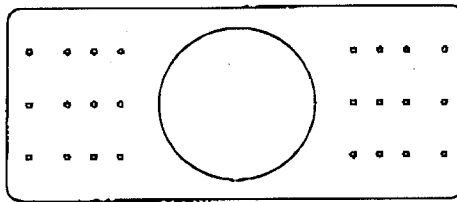
Recommended Bose® Tile Bridge or Optional Bose Rough-in Pan



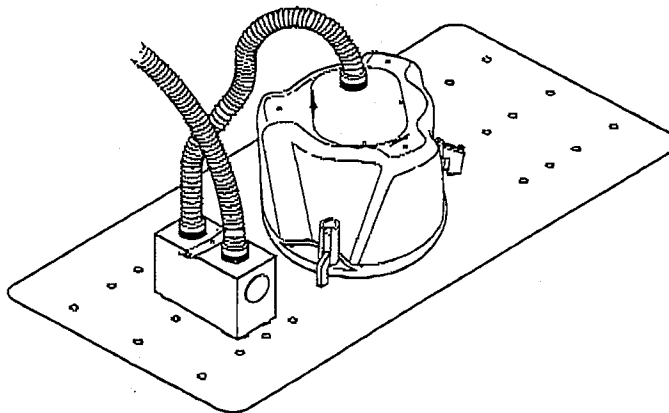
Tile Bridge



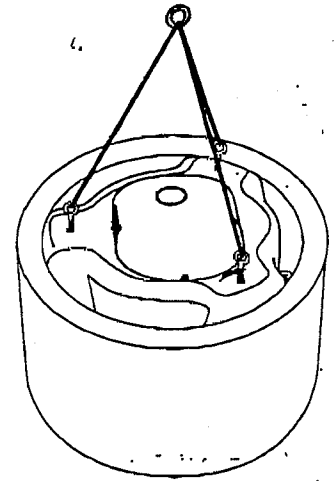
Rough-in Pan



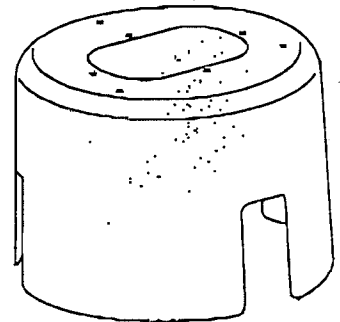
Optional Junction Box



Optional Bose Pendant Mount Kit



PC - 16 Plenum Cover

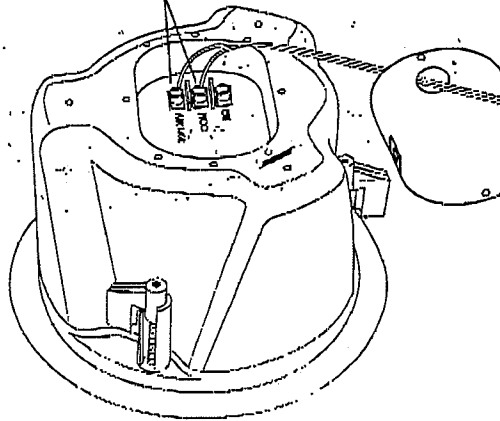


English
 Dansk
 Deutsch
 Español
 Français
 Italiano
 Svenska

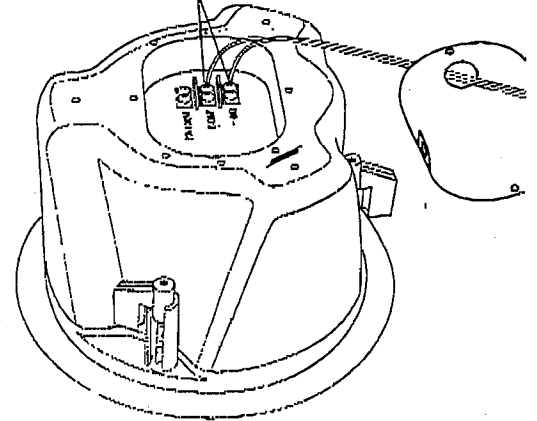
Installation

Connections
Tilslutninger
Anschlüsse
Conexiones
Raccordements
Collegamenti
elettrici
Verbindingen
Anslutningar

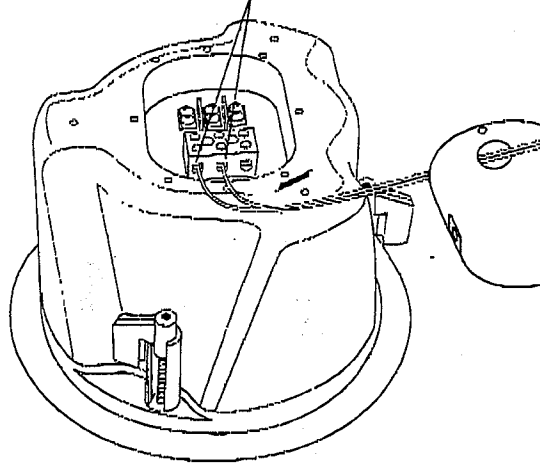
Model 16
70/100V



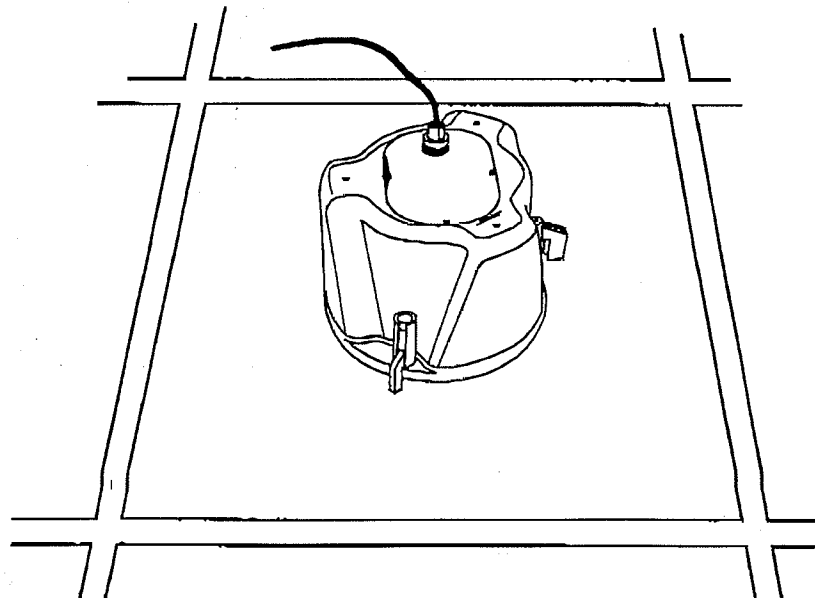
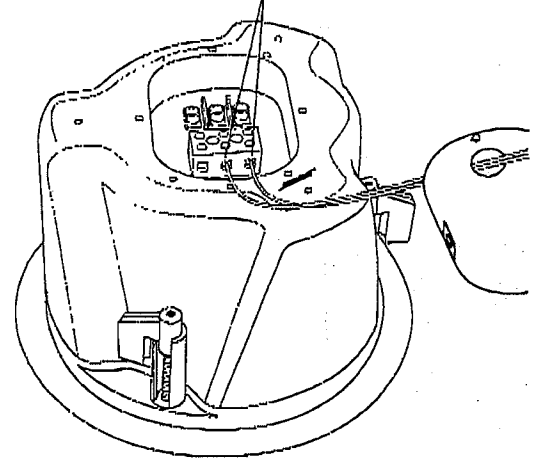
Model 16
8Ω



Model 16EU
70/100V



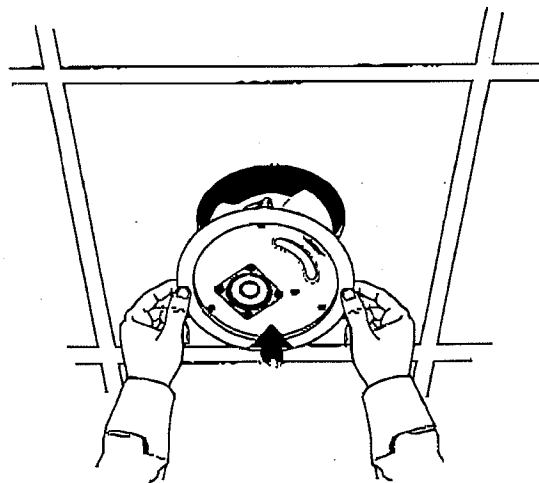
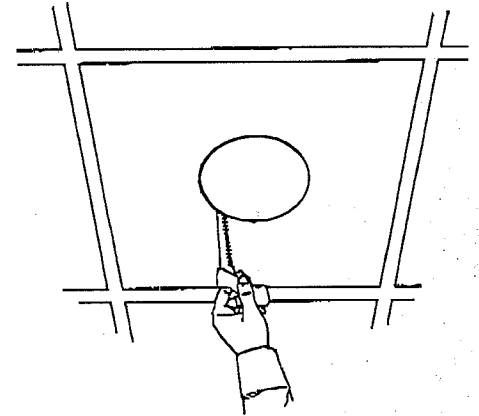
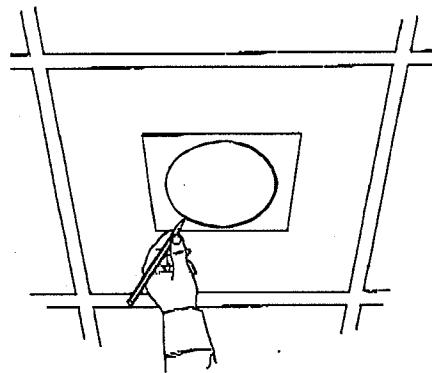
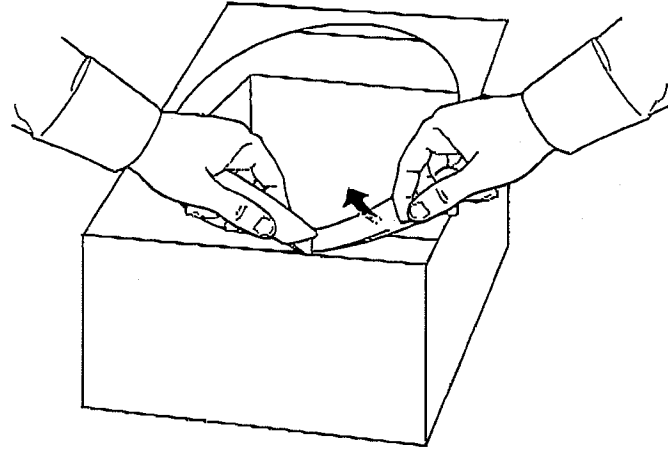
Model 16EU
8Ω



English
 Deutsch
 Español
 Italiano
 Nederlands

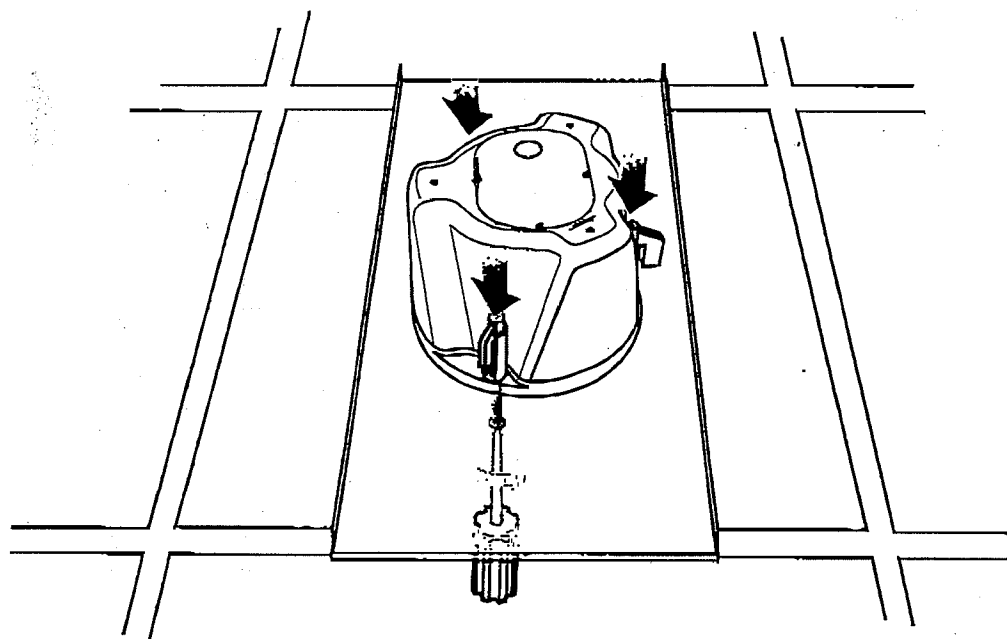
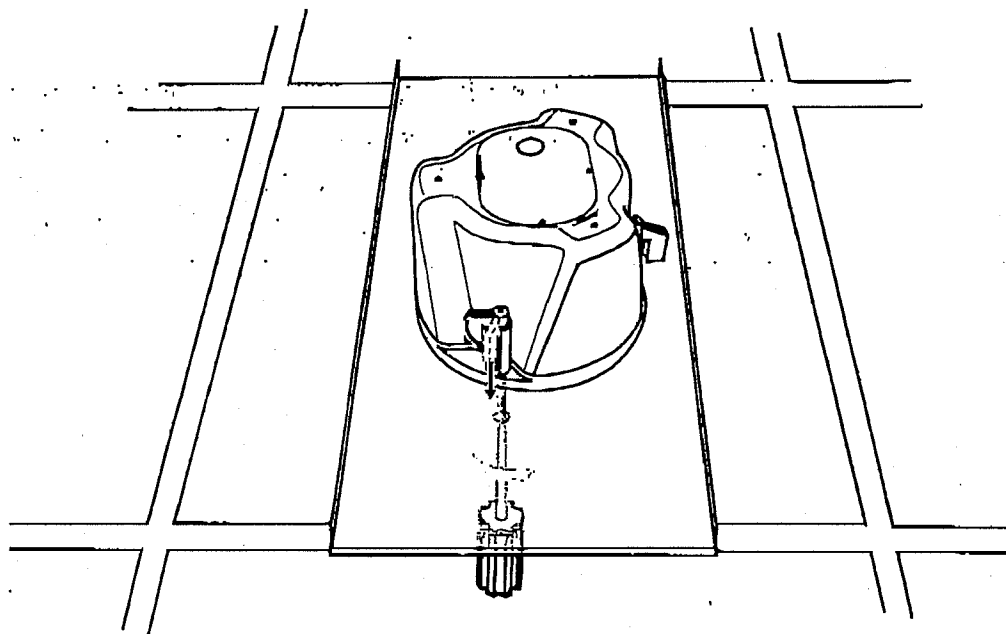
Installation

- Mounting the module**
- Montering til modulet**
- Aufbau des Moduls**
- Montaje del módulo**
- Fixation du module**
- Installazione**
- Monteren van de module**
- Montering för modulen**



Deutsch
 Français
 Italiano
 Svenska

Installation



English

Dansk

Deutsch

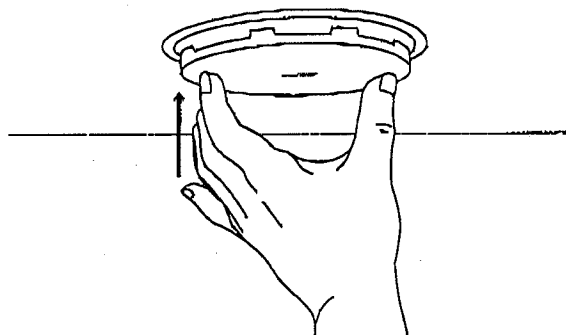
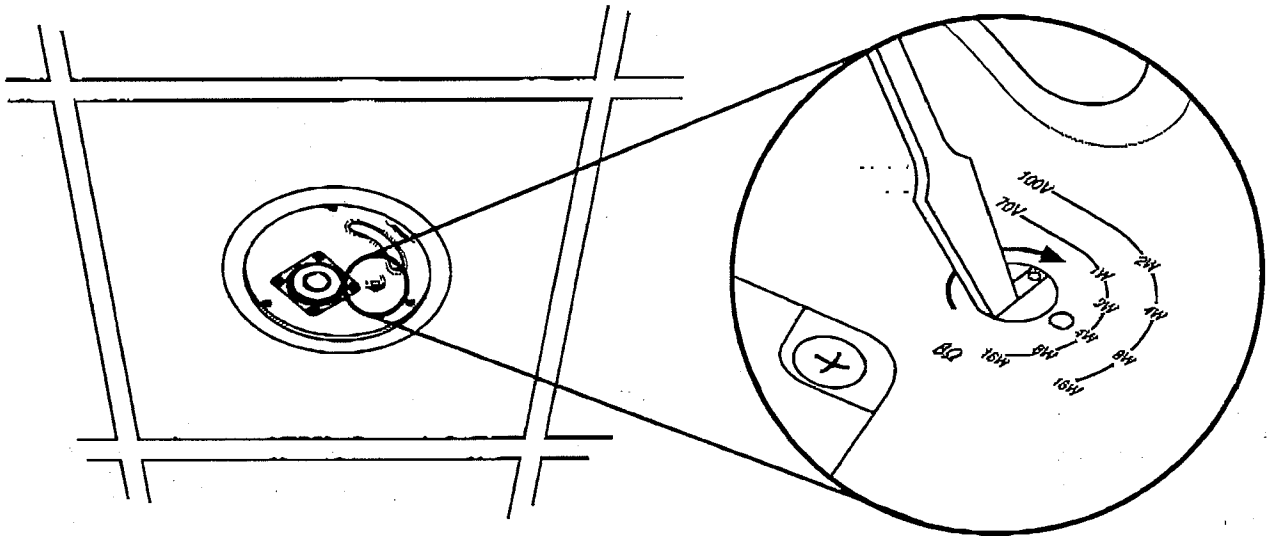
Español

Français

Italiano

Nederlands

Svenska

Installation**Transformer tap setting or bypass****Transformer tapsætning eller lavohms****Einstellen der Transformator-abgriffe bzw. deren Umgehung****Ajuste del cambiador de la relación de transformación o bypass****Position des réglages ou shunt du transformateur****Trasformatore: impostazione delle potenze intermedie; esclusione.****Aftakings-instelling van de transformator of bypass****Tappinställning eller avledning för transformator**

Safety and regulatory compliance

The Model 16 and 16EU have passed extensive testing and comply with the following specifications and uses:

UL1480 listed:

- Fire Protective Signaling Use – UL Category UUMW, File Number S 3241
- Air handling spaces (ceiling plenums) with a model PC-16 Plenum Cover installed:
 - UL-2043
 - NFPA-70 National Electric Code 2002, Article 300-22 (c)
 - NFPA-90-A-1996 Installation of Air Conditioning and Ventilation Systems, Section 2-3.10.1(a), Exception 3

EMC Directive 89/336/EEC and Article 10 (1) of the directive, EN50081-1 and EN50082-1 as signified by the CE mark.

The Model 16EU has also been designed to the requirements defined in the following European regulatory specifications for combination systems:

- British Standard Code of Practice BS 5839, Part 8

UL Sensitivity per UL-1480/ANSI-S1.12/ANSI-S1.2:

Wattage Tap	Sound pressure level* dBA at 10 feet (70V)	Sound pressure level* dBA at 10 feet (100V)
1 Watt	75 dBA	-
2 Watt	78 dBA	75dBA
4 Watt	81 dBA	81dBA
8 Watt	81 dBA	81dBA
16 Watt	84 dBA	84dBA

*SPLs given are per the UL 1480 specified reporting method.

Frequency response:

Fire alarm: 400 Hz to 4 kHz

General signaling: 80 Hz to 16 kHz (±3dB)