

Introduction

The optional Gentner Teleconferencing Remote Control unit is enclosed. This Remote Control allows you to operate the functions of your teleconferencing product from your desk or conference table, instead of the front panel of your teleconferencing product. This unit is compatible with the following Gentner teleconferencing products: T17200, GT300, GT700, GTS300 and GTS700.

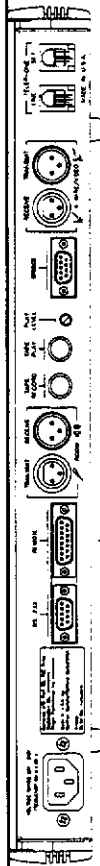
Installation

Installation is simple, usually requiring only plugging the DB-15 connector into the REMOTE DB-15 connector located on the back panel of your TI or GT teleconferencing product. Pin out information is shown on the table to the right. If further information is required, consult your teleconferencing product Installation and Operation Manual.

REMOTE CONTROL DB-15 CONNECTOR PIN OUTS	
PIN NO.	CONTROL
1	Ground
2	2 Wire Audio Switch
3	4 Wire Audio Switch
4	Privacy Switch
5	Phone Add Switch
6	Volume Up
7	Volume Down
8	4 Wire Mode
9	Ground
10	2 Wire Lamp
11	4 Wire Lamp
12	Privacy Lamp
13	Phone Add Lamp
14	Not Used
15	Not Used

Remote Control Option

Installation and Operation



REMOTE CONTROL
CONNECTS HERE

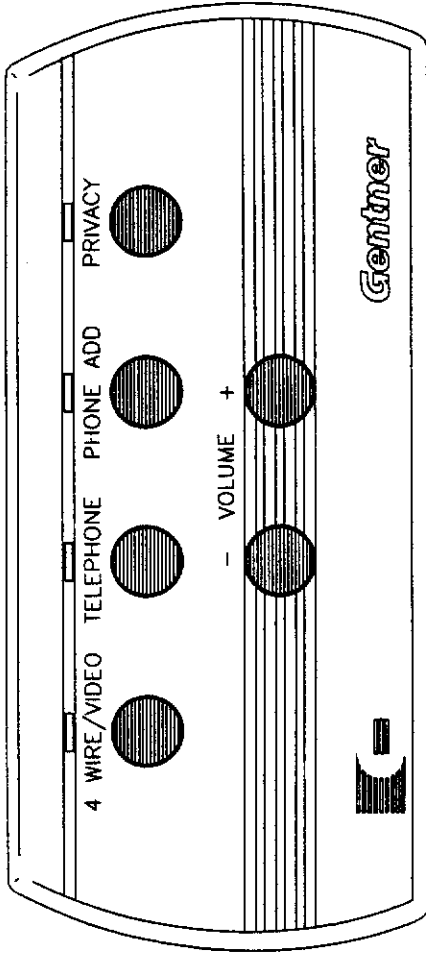
T17200 Back Panel



REMOTE CONTROL
CONNECTS HERE

Group Teleconferencer Back Panel





VOLUME CONTROLS: VOLUME + will incrementally increase the volume you hear through your speakers each time the button is pressed. The VOLUME - button incrementally decreases the volume in the same manner, each time the Volume - button is pressed. Pressing both the Volume + and Volume - buttons simultaneously, restores the volume to the nominal, or factory set volume level.

Additional Information

Additional information regarding the Remote Control can be found in the Installation and Operation manual of your Teleconferencing product.

Description

The top row contains four main function buttons: Telephone; 4 Wire/Video; Privacy; and Phone Add. Each function button has an LED immediately above the button that will light when the selected function is in use. The second row contains buttons for volume control.

Operation

4 WIRE/VIDEO: Press to engage the audio portion of your connected video teleconference. The 4 WIRE/VIDEO LED will light. Press again to terminate the audio when the teleconference is concluded. The 4 WIRE/VIDEO LED will extinguish. Your video link should be terminated according to the video equipment manufacturer's instructions.

TELEPHONE: Press to connect a ringing incoming call. The TELEPHONE LED will light. Press again to disconnect the call. The TELEPHONE LED will extinguish.

PHONE ADD: When your T17200 is installed with a second T17200, each with its dedicated telephone line and set, the PHONE ADD button is pressed to connect the call from the telephone set. The PHONE ADD LED will light on connection. To terminate the call, press PHONE ADD again. The LED will extinguish. (The Phone Add feature is not functional with the GT or GTS model.)

PRIVACY: Press the PRIVACY button to mute the send audio. Its LED will light. In this mode, the other location cannot hear your conversation; however, the audio from the other site will still be heard at your location. To restore two-way communication, press PRIVACY again. The PRIVACY LED will extinguish.

If you need further information or assistance that cannot be found in the manual, contact Gentner's Technical Support at (801) 975-7200.

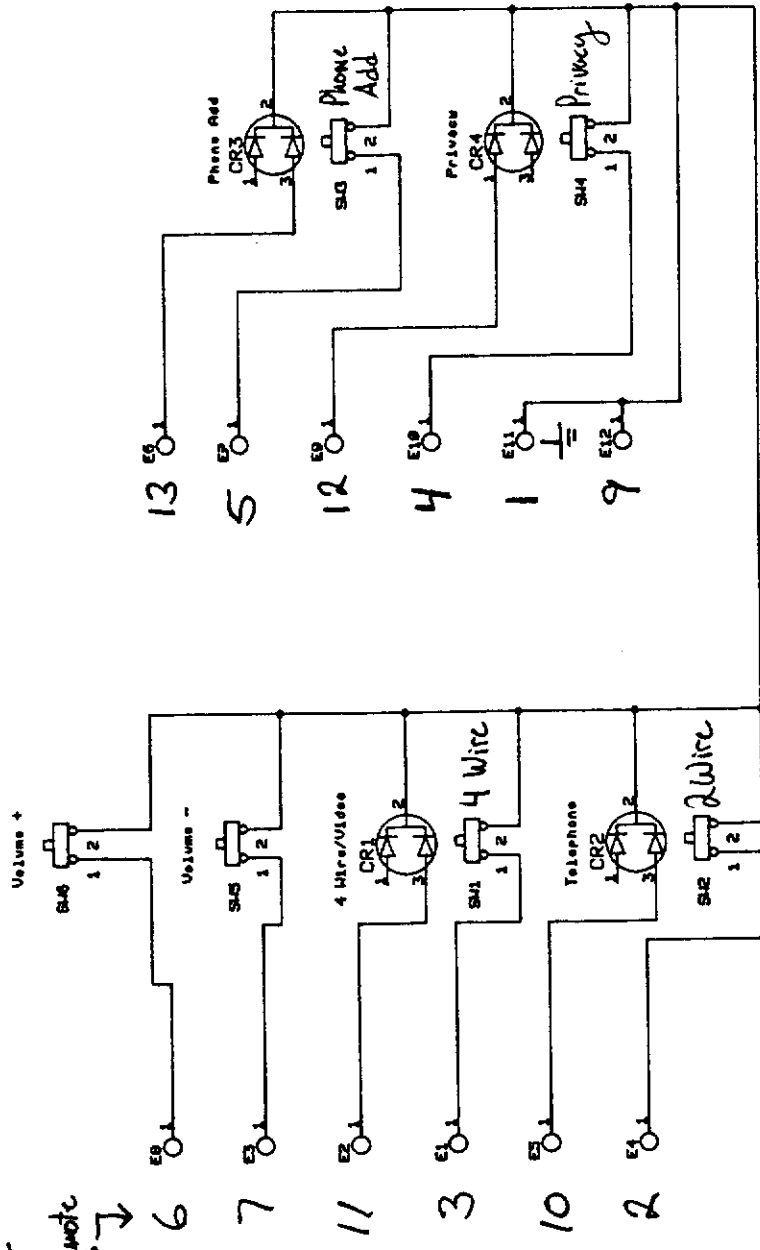
For information on other optional equipment that will enhance your teleconferencing system, contact Gentner Teleconferencing Products at (801) 799-4800.



Teleconferencing Products

Sales:	Technical Support:
111 East Broadway, Suite 1200	1925 Research Way
Salt Lake City, Utah 84111	Salt Lake City, UT 84119
Tel: (801) 799-4800	Tel: (801) 975-7200
FAX: (801) 799-4877	FAX: (801) 977-0087

T/K/T
 DD15 Remote
 An #5 →



NOTES: UNLESS OTHERWISE SPECIFIED:
 1. RESISTANCE VALUES ARE EXPRESSED IN OHMS, "K" DENOTES 1000 OHMS.
 CAPACITANCE VALUES ARE EXPRESSED IN MICRO FARADS, (UF).
 INDUCTOR VALUES ARE EXPRESSED IN MICRO HENRIES, (UH).

2. STANDARD GROUND SYMBOLS:
- ⏏ DIGITAL GND
 - ▽ ANALOG GND
 - ⏏ R.F.I. GND
 - ▽ A SPECIAL GND

JUN 22 1993

DATE	DATE	DATE
01/12/92		
S.P.M.	REVISION	DATE
THIS DOCUMENT CONTAINS PROPRIETARY INFORMATION OF GENTNER. IT IS TO BE KEPT IN CONFIDENCE AND NOT TO BE DISSEMINATED OR REPRODUCED WITHOUT THE WRITTEN PERMISSION OF GENTNER.		
DIMENSIONS IN INCHES DO NOT SCALE		
TELEPHONE .001 - 2.00 .002 - 5.00 1/8" - 15"		
SHEET 1 OF 1		GENTNER 1825 Research Way, S.C., UT. 84119 UTAH
ELECTRICAL SCHEMATIC		TI REMOTE CONTROL
710-110-100		A1