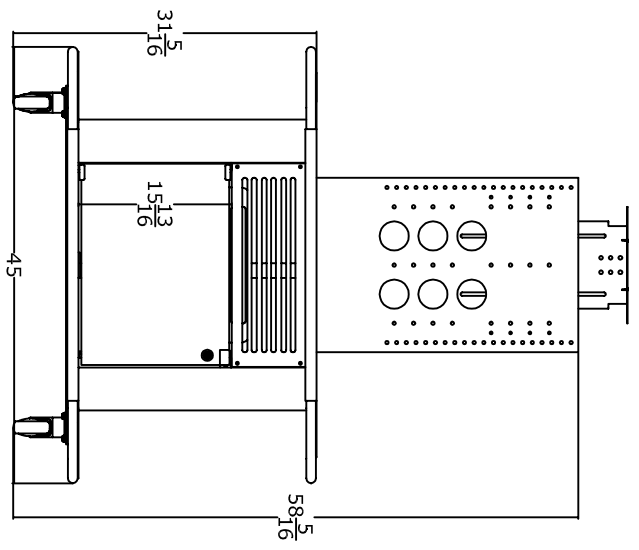
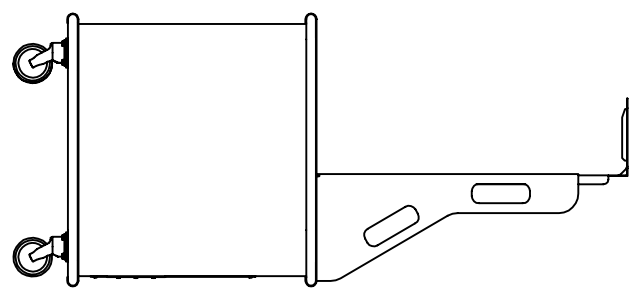


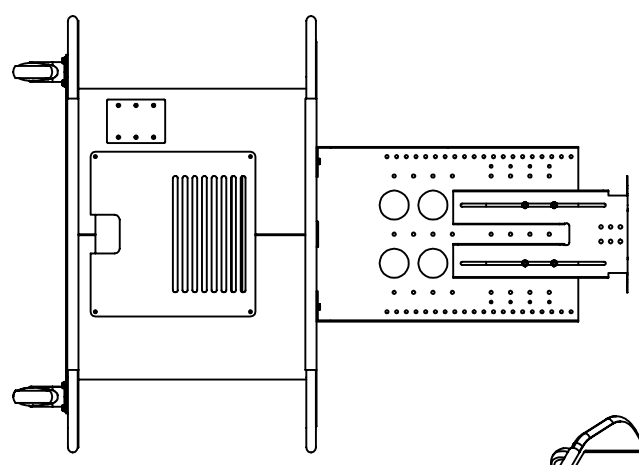
TOP VIEW



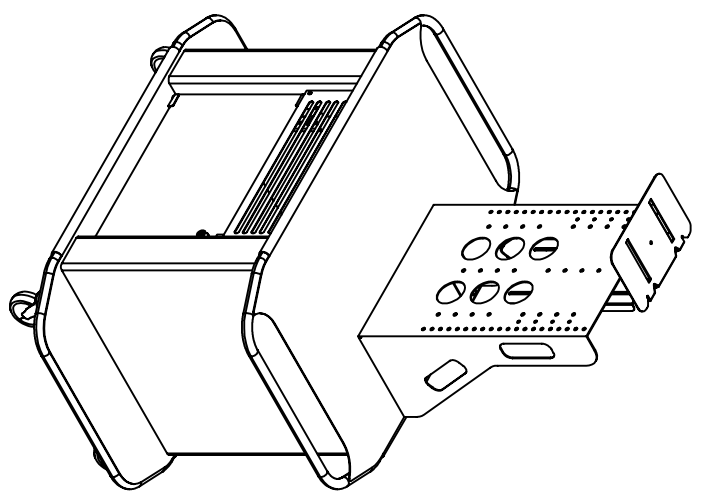
FRONT VIEW
SCALE 0.07 : 1



SIDE VIEW
SCALE 0.07 : 1



REAR VIEW
SCALE 0.07 : 1



ISOMETRIC VIEW
SCALE 0.08 : 1

<p>clearOne Communications Corporation</p>		CHECKED	DATE	3/23/04
		APPROVED	T. Gonzalez	
<p><small>This document contains information proprietary to Genther Communications Corporation and may not be copied in whole or in part by any means without the prior authorization of Genther Communications Corporation.</small></p>		<p>ALL DIMENSIONS ARE IN INCHES</p>		
<p>TITAN SINGLE PLASMA</p>		DESCRIPTION		
SIZE	PART NO 911-300-101	SCALE	DO NOT SCALE	REV