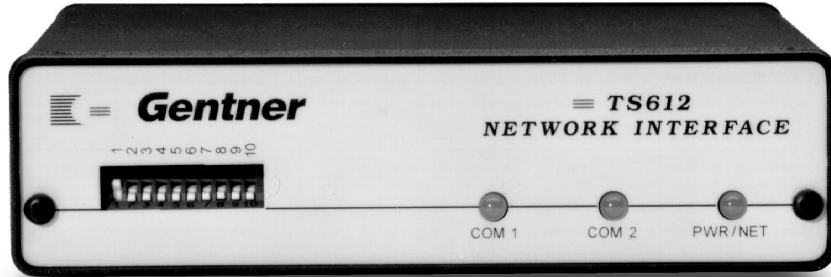


NETWORK INTERFACE

SYSTEM EXPANSION FOR TS612



Bring the same phone lines into every studio.

PRODUCT OVERVIEW

The basic TS612 telephone system provides the ability to use 12 telephone lines in one studio or six lines in two studios in a split studio mode. With the Network Interface, 12 telephone lines can be brought into and used by up to 10 studios.

The TS612 Network Interface allows you to connect multiple TS612 systems together to share telephone lines among several studios. The TS612 connects to the COM port (RS232) of the TS612 mainframe to communicate the status of each telephone line. To expand beyond two TS612 systems, the Network Interface is used in a network bus configuration (see diagram).

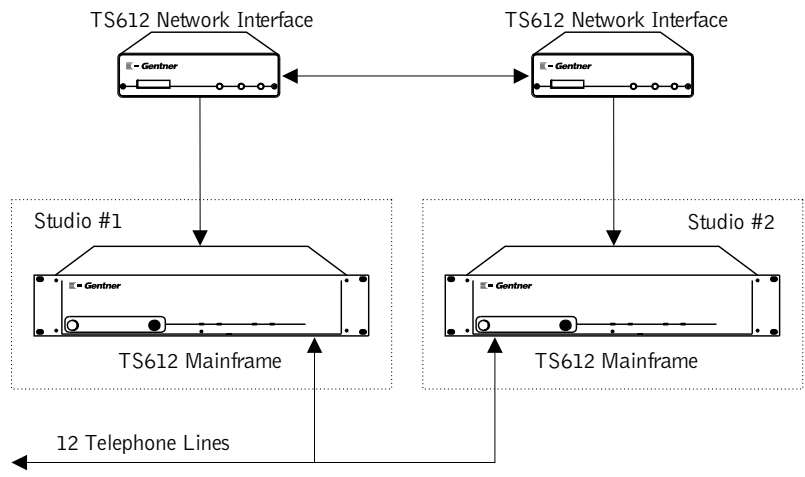
With the TS612 Network Interface, each studio on the system can see the status of the telephone lines instantly. When one studio picks up a line, that line is shown as "in use" in the other studios. Ringing lines, or lines on hold, are appropriately indicated and may be picked up by any studio. Each studio may have a dedicated

call screener, but that screener can screen calls for that studio only. When a call is placed on "screened hold," it can be picked up only by the TS612 tied to that particular screener.

To use the Network Interface, line assignments must be identical in all studios, (e.g. The phone line assigned to line 1 must be assigned to line 1 in every other studio, and so on.)

FEATURES/BENEFITS

- Up to ten TS612 mainframes may be linked (one Network Interface is required for each link between mainframes)
- Line status is communicated between TS612 systems
- Ideal for duopolies, LMAs, or facilities needing to share the same phone lines



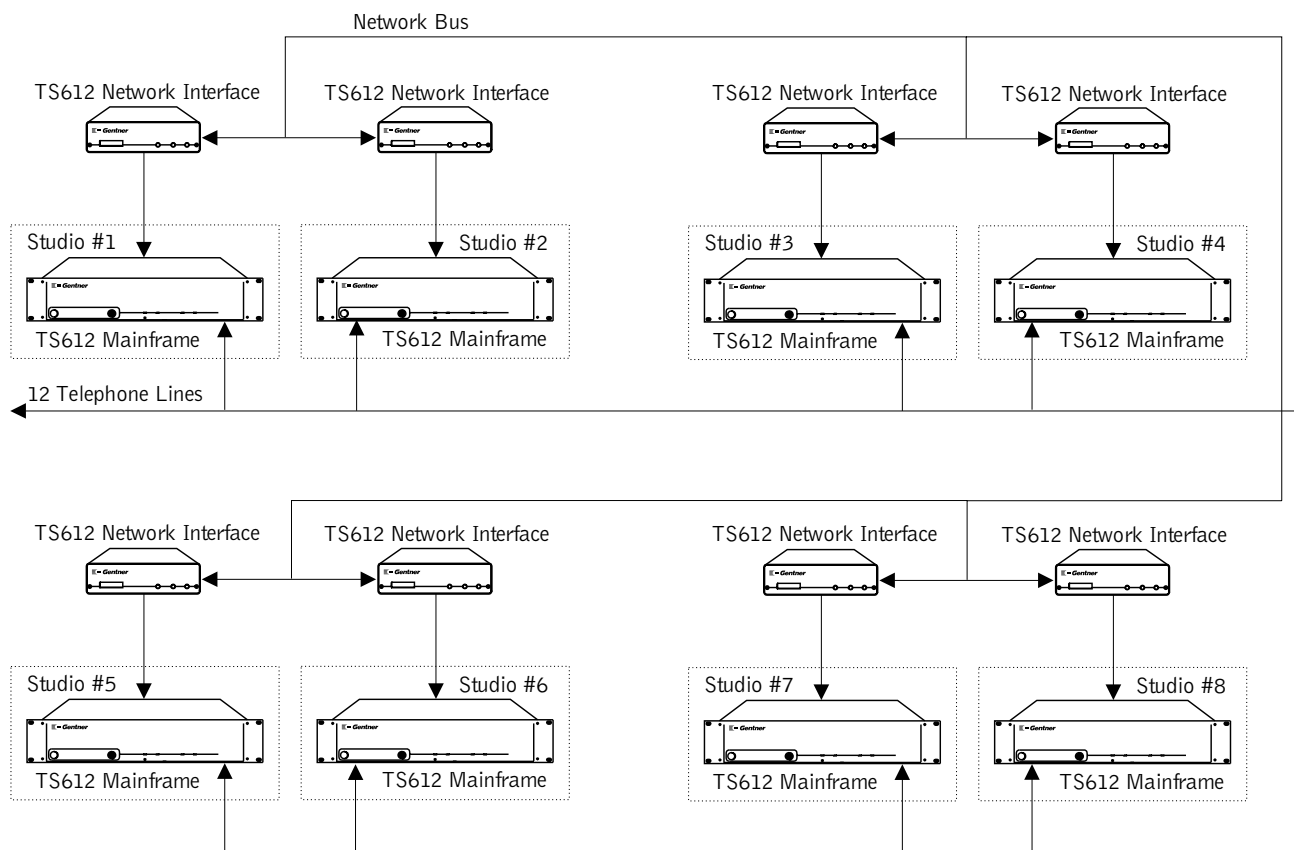
Gentner

1 . 8 0 0 . 9 4 5 . 7 7 3 0

1 . 8 0 1 . 9 7 5 . 7 2 0 0

NETWORK INTERFACE

SYSTEM EXPANSION FOR TS612



When the system expands past two TS612s, the network communications bus is utilized. The TS612 network interface uses the network bus to pass data between all TS612 mainframes providing the proper status information and lock out of lines between all systems. The default configuration of the bus is a parallel, all talk/all listen type of structure. Under this structure there is no individual unit to unit communication. Information from each TS612 is broadcast to all units on the network. The TS612 Network Interface structure will support up to 10 TS612 mainframes.

Gentner

Gentner Communications Corporation
1825 Research Way
Salt Lake City, UT 84119 USA

1.800.945.7730

1.801.975.7200

Fax: 1.801.977.0087

www.gentner.com

Try Gentner Conference CallSM—dial:
1.800.538.7633

Send this document to any fax machine with Gentner's Fax-On-Demand: 1.800.695.8110 Doc#3003

Perfect Communication through Technology, Service, and Education.TM

©1999 Gentner Communications Corporation. Printed in USA, 05/99. Features, specifications, and descriptions are accurate as of this printing. Gentner reserves the right to modify this information without prior notice or obligation.