

# NETWORK INTERFACE

## SYSTEM EXPANSION FOR TS612



**Bring the same phone lines into every studio.**

### PRODUCT OVERVIEW

The basic TS612 telephone system provides the ability to use 12 telephone lines in one studio, or six lines in two studios in a "split studio" mode. With the Network Interface, 12 telephone lines can be brought into and used by up to 10 studios.

The TS612 Network Interface allows you to connect multiple TS612 systems together to share telephone lines among several studios. The TS612 connects to the COM port (RS232) of the TS612 mainframe to communicate the status of each telephone line. To expand beyond two TS612 systems, the Network Interface is used in a "network bus" configuration (see diagram below).

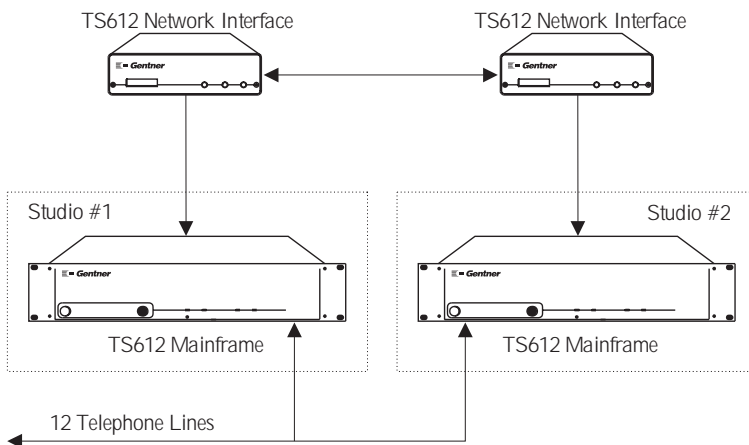
With the TS612 Network Interface, each studio on the system can see the status of the telephone lines instantly. When one studio picks up a line, that line is shown as in use in the other studios. Ringing lines, or lines on hold, are appropriately indicated and may be picked up

by any studio. Each studio may have a dedicated call screener, but that screener can screen calls for that studio only. When a call is placed on "screened hold," it can be picked up only by the TS612 tied to that particular screener.

To use the Network Interface, line assignments must be identical in all studios (i.e. the phone line assigned to "line 1" must be assigned to "line 1" in every other studio, and so on).

### FEATURES/BENEFITS

- Up to ten TS612 mainframes may be linked (one Network Interface is required for each "link" between mainframes)
- Line status is communicated between TS612 systems
- Ideal for duopolies, LMAs or facilities needing to share the same phone lines



 **Gentner**

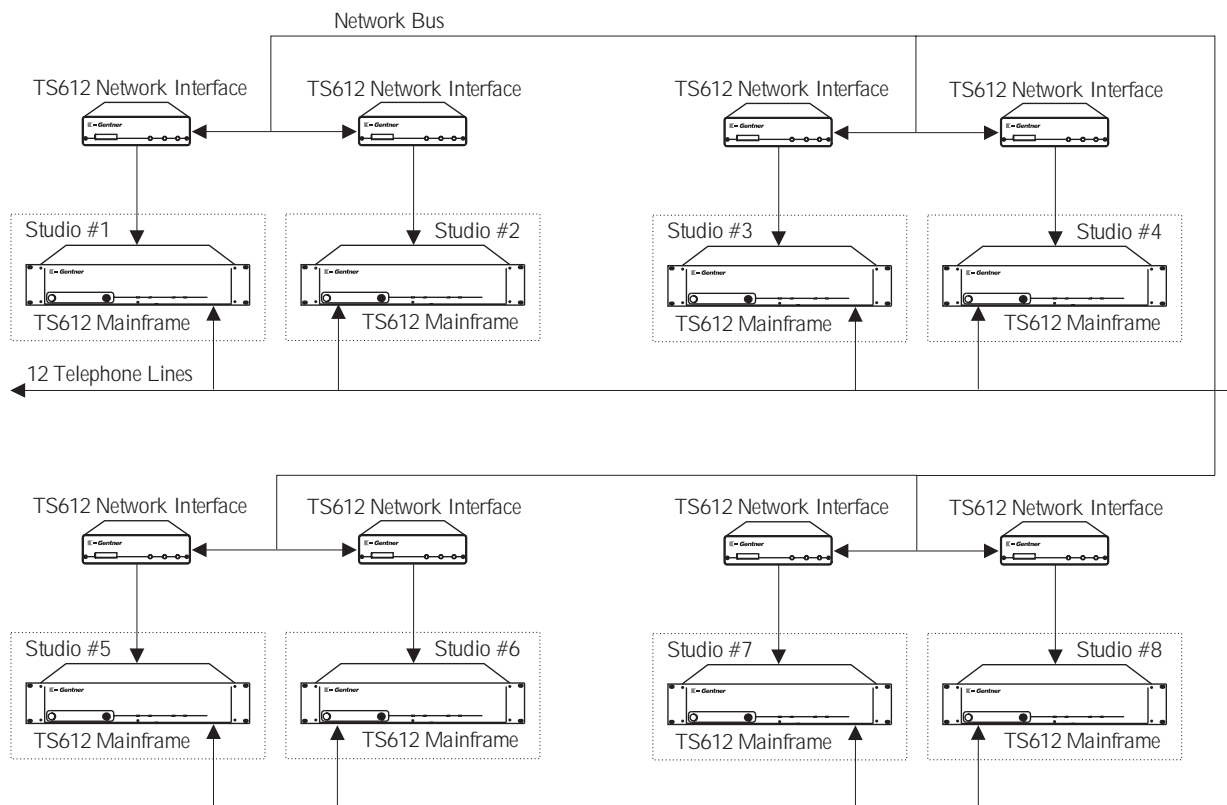
800.945.7730

801.975.7200

Studio expansion is accomplished by linking the mainframes through the network interface. The Network Interface will pass all data between the mainframes providing the proper status information and lock out of lines between the systems.

# NETWORK INTERFACE

## SYSTEM EXPANSION FOR TS612



When the system expands past two TS612s, the network communications bus is utilized. The TS612 network interface will utilize the network bus to pass data between all TS612 mainframes providing the proper status information and lock out of lines between all systems. The default configuration of the bus is a parallel all talk/all listen type of structure. Under this structure there is no individual unit to unit communication, information from each TS612 is broadcast to all units on the network. The TS612 network interface structure will support up to 10 TS612 Mainframes.



Gentner Communications Corporation  
1825 Research Way  
Salt Lake City, UT 84119 USA

800.945.7730

801.975.7200

Fax: 801.977.0087  
<http://www.gentner.com>

Try our conference Call service:  
1-800-LETS MEET

WE PUT THE WORLD ON SPEAKING TERMS™

Send this document to any fax machine with Gentner's Fax-On-Demand: 800.695.8110 Doc. #3003

©1997 Gentner Communications Corporation. Printed in USA, 11/97. Features, specifications, and descriptions are accurate as of this printing. Gentner reserves the right to modify this information without prior notice or obligation.