

Interceptor 1000

Camera Interface System for VideoLabs' PTZCam™

VideoLabs' Interceptor 1000 is a camera control interface that allows the VideoLabs' PTZCam to be used in place of the Sony® EVI Series cameras.

The Interceptor 1000 translates the VISCA instruction set, which is stored in many videoconferencing systems, enabling near and far end control of the VideoLabs' PTZCam. The Interceptor 1000 can also receive IR commands directly from a Polycom® remote.



Technical Features

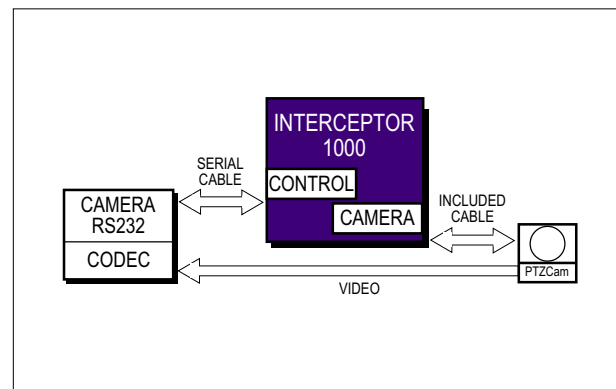
- Emulation of VISCA Instruction Set: up/down, left/right, zoom in/zoom out, preset store, preset recall, absolute position, power on/off, among other features.
- IR decoding of the Polycom IR remote control.

Technical Specifications

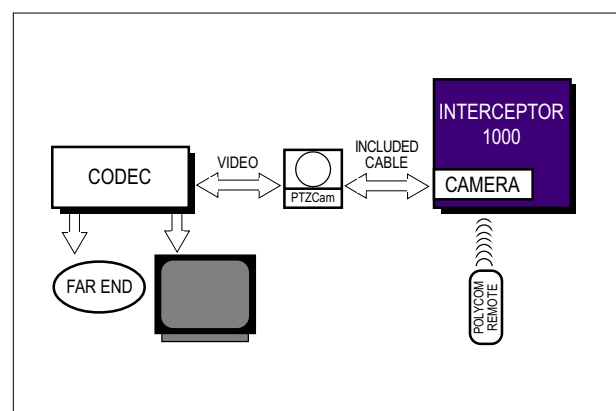
Serial Communication	Data Rate: 9600, 8N1
Input	RS 232
Output	RS 232
Weight	0.38lbs/0.18kg
Dimensions	
Depth	2.25"/5.71cm
Width	5.5"/13.97cm
Height	1.26"/3.18cm
Power Supply	12 VDC, 750mA

Included Accessories

- 8' custom serial cable
- Power supply



Videoconferencing setup



Presentation/training setup



5960 Golden Hills Drive
 Minneapolis, MN 55416-1040
 763.542.0061 • 800.467.7157
 www.videolabs.com