

Converge™ Pro

Converge™ Pro TH20 Telephone Interface

The successor to the industry-leading XAP TH2. The TH20 enables conference call functionality for Converge™ Pro installations with its single telephone line connection. Up to 16 units can be linked for greatly expanded conferencing capability. It also adds two line-level inputs and outputs for increased system capacity.

ClearOne.



ADVANCED TELEPHONE INTERFACE FOR CONVERGE™ PRO PLATFORM

APPLICATIONS

- Conference Rooms
- Boardrooms
- Courtrooms
- Distance Learning Facilities
- Convention Centers and Hotels
- Training Rooms
- Telemedicine Facilities
- Houses of Worship

ADVANTAGES

Advanced Telephone Feature Set

- + Signal Processing Improvements
 - > Telephone noise cancellation on RX channel
 - > ClearEffect speech enhancement
 - > Automatic level control on RX channel
 - > Caller ID
 - > Selectable ringers
- + Increased I/O capabilities
 - > 2-line level input/output
 - > Audio expansion bus
- + Management Improvements
 - > Integrated Ethernet and USB connections
 - > SNMP and HTML remote management agents
 - > Event scheduler
 - > Diagnostic console
- + Simplified Configuration Software
 - > Drag & drop A/V and channel objects
 - > Selectable views—unit, matrix, channel

Superior Audio Performance

- + Digital signal processing technology ensures crystal clear audio
- + Echo cancellation eliminates telephone line echo
- + Automatic level control
- + Digital anti-alias filter minimizes hum and Central Office switching noise

Configuration Flexibility & Scalability

- + Connects to ClearOne's Converge Pro products through expansion bus port
- + Conference up to 16 callers in a Converge Pro installation with multiple TH20s
- + Configure through included Console™ software

Ease of Use & Control

- + Speed dial stores 10 frequently dialed numbers
- + Incoming call ringing is heard through the loudspeaker
- + Selectable auto-answer and auto-disconnect
- + Users can dial telephone numbers, access voice mail, pagers, etc. without the use of a separate telephone device through integrated DTMF (touch-tone) dialing
- + Software-selectable country configurations

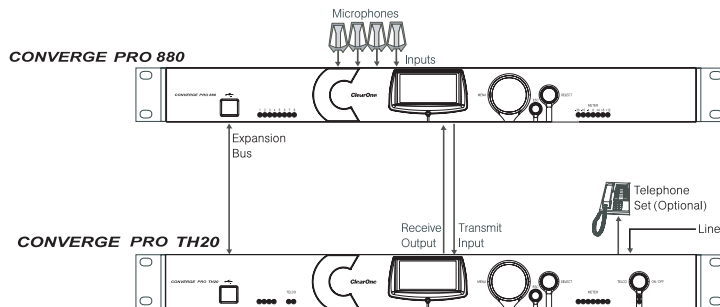
PRELIMINARY

> CONVERGE™ PRO TH20 BACK PANEL



> INSTALLATION

Typical Installation in Converge™ Pro 880 System



> SPECIFICATIONS



Audio Performance

Conditions: Unless otherwise specified, all measurements are performed with a 20 Hz to 20 kHz BW limit (no weighting). Transmit limiter and Receive ALC disabled
 Frequency Response: 250 Hz to 3.3 kHz ±1 dB
 THD+N: <0.2% re max level
 SNR: >62 dB re max level

Telco Line Echo Cancellation

Tail time: 31 ms
 Null: 55 dB nominal

Expansion Bus In/Out

Proprietary Network
 RJ-45 (2), 115.2 kbps,
 110 kΩ Impedance
 Category five twisted-pair cable
 100' (30.48 meters) maximum cable length
 between any two Converge Pro products

Ethernet

10/100 Ethernet Network Port
 10/100 Ethernet PC Port
 RJ-45 Connections

RS-232

DB-9 female
 9,600/19,200/38,400/57,600/115,200 baud rate;
 8 bits, 1 stop, no parity
 Hardware flow control on (default)/off

Control/Status

DB-25 female
 Inputs: active low (pull to ground)
 Outputs: open collector, 40 VDC max,
 40 mA each
 +5 VDC (300 mA over-current protected)

Telco Line

RJ-11
 POTS (plain old telephone service) or analog
 extension from a PBX
 A-lead supervision provided

Telco Set

RJ-11
 Connect analog telephone set
 A-lead supervision provided

Transmit Input – 1, 2

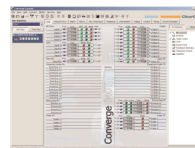
Push-on terminal block, balanced, bridging
 Impedance: >10 kΩ
 Nominal Level: 0 dBu
 Maximum Level: 20 dBu

Receive Output – 1, 2

Push-on terminal block, balanced
 Impedance: <50 Ω
 Nominal Level: 0 dBu
 Maximum Level: 20 dBu

Set-up Software

Converge Console™



Power Input Range

Auto-adjusting
 100-240 VAC; 50/60 Hz

Power Consumption

TBD

Dimensions (LxDxH)

17.25" x 10.25" x 1.75"
 43.8 x 26 x 4.5 cm

Weight

7 lb/3.18 kg dry
 12 lb/5.4 kg shipping

Operating Temperature

32 to 100° F/0 to 38° C

Approvals

Pending

Part Number

910-151-820 Converge Pro TH20 –
 Telephone interface for Converge Pro 880,
 840T, 8I

PRELIMINARY

> CLEARONE LOCATIONS

Headquarters:
Salt Lake City, UT USA
 1825 Research Way
 Salt Lake City, UT 84119
Tel: 801-975-7200;
 800-945-7730
Fax: 801-977-0087
 sales@clearone.com

Champlin, MN USA
Tel: 763-486-1765
 sales@clearone.com

Latin America Offices
Tel: 801-974-3621
 global@clearone.com

London, UK
Tel: 801-974-3792
 global@clearone.com

Hong Kong
Tel: 801-303-3441
 global@clearone.com

South Asia
Tel: 801-303-3427
 global@clearone.com

India
Tel: 801-303-3605
 global@clearone.com