

AccuMic™ II

What is it?

The AccuMic™ II is a stand-alone microphone that features the best of ClearOne audio technology. With Gentner® Distributed Echo Cancellation®, noise cancellation, and microphone activation settings, the AccuMic II brings affordable high-end audio to set-top, desktop, and PC-based videoconferencing systems.

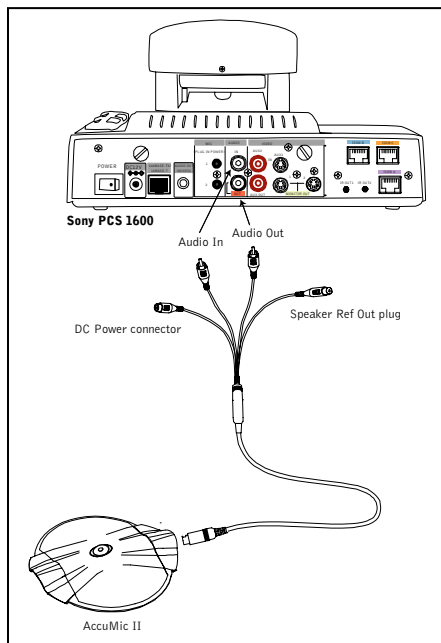


The AccuMic II uses multiple microphones to create 360-degree dynamic audio pickup.

How is it used?

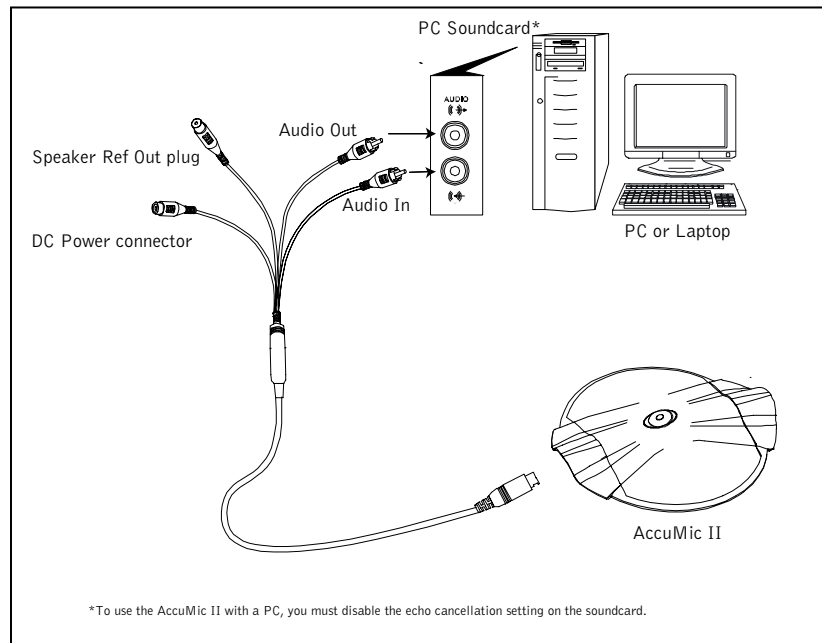
The AccuMic II is designed specifically to improve the poor audio produced by many desktop, set-top, and PC-based videoconferencing systems. Simply connect this plug-and-play device to the Audio In and Out jacks on your video codec or PC to experience full-duplex, echo free audio. For larger conferencing rooms, two AccuMics can be linked together to provide expanded microphone coverage.

AccuMic II connected to a video codec



The AccuMic II connects to most videoconferencing systems to instantly improve sound quality.

AccuMic II connected to PC



*To use the AccuMic II with a PC, you must disable the echo cancellation setting on the soundcard.

The AccuMic II can also be used to enhance audio for PC-based conferencing.

Features

- Echo cancellation, noise cancellation, and microphone gating and management provides the quality of a high-end audio system at an affordable price
- Plug-and-play installation makes adding the AccuMic II to your videoconferencing system a simple, one step process
- Compatible with the majority of set-top videoconferencing systems and PC sound cards

Competitive Analysis

The AccuMic II is the only stand-alone microphone on the market with Gentner® Distributed Echo Cancellation®, noise cancellation, and first mic priority. It is built to work with virtually any videoconferencing system or PC.

There are many set-top and desktop videoconferencing systems including those made by Sony, VCom, Aethra, and Vtel that have terrible audio—many models feature only a built-in microphone on the unit itself. The AccuMic II is an easy sell when customers have these systems because, for a modest investment of \$649.00, they can quickly add high-end audio to their videoconferencing system. This is a much less expensive alternative to replacing the videoconferencing system.

Polycom, Tandberg, and iPower have acceptable audio for their videoconferencing systems. Our value-add to these systems is that we can link two AccuMics, thereby providing more microphone coverage.

Why should someone buy the AccuMic II?

Most codecs with integrated microphones deliver sub-optimal audio. Signs of poor audio quality include processing noise, microphone noise, or any audible indication that the system is on when no-one is speaking. The AccuMic II is a simple, affordable way to bring top-quality audio to your videoconference.