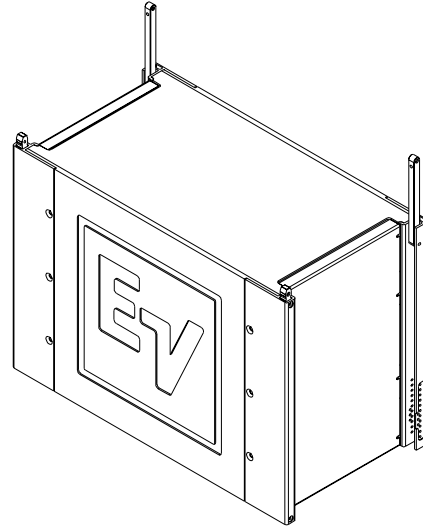




### Key Features:

- **Dual DVX3120 12" Transducers**
- **136 dB, 1000W Continuous**
- **Very Compact, Lightweight**
- **Simple, Quick Integrated Rigging**
- **Versatile Integration in Main Arrays**
- **LAPS Aiming and Flying Software**



### General Description:

EV engineers have defined a new group of Very Compact line array elements, XLVC. It is comprised of the models; XLD281 full range, XLE181 full range, and the XS212 sub woofer. The XS212 is designed for high-level low frequency extension to 42 Hz. It uses two new generation DVX 3120 forced air-cooled 12" transducers capable of long, linear excursion and high power. A unique configuration allows side firing transducers to match the XLD281's horizontal coverage and provide smaller arrays. XS212 are designed to be used with a ratio of four XLD281 full range systems for each XS212 sub woofer.

Most applications using flown very compact elements require subwoofers integrated into the same array as the full range systems. XLVC provides two methods to conveniently do this. The XS212 sub woofer module has the same rigging foot print as the XLD281 allowing it to be directly arrayed above, or below XLD281 full range systems. Where vertical space is limited sub woofer arrays can be created and flown behind the XLD281 full range array using an additional grid and a Coupler Beam. LAPS modeling software quickly provides array configurations and rigging information. XS212 sub woofers can also be used as the base for ground stack applications.

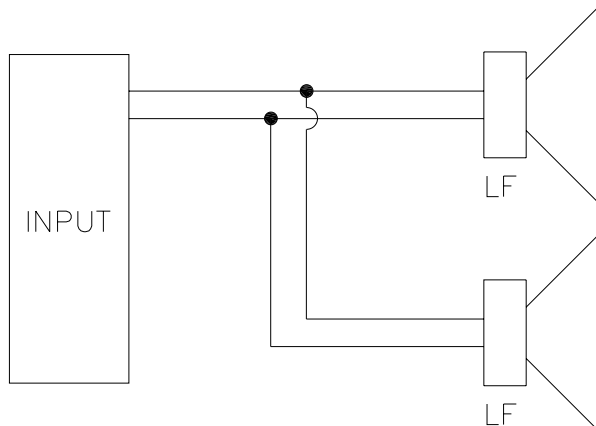
XLVC delivers unprecedented performance in applications ranging from live reinforcement to performing arts venues, to houses of worship.

### Technical Specifications:

Freq. Response <sup>1</sup> (-3 dB):	52 Hz
Freq. Range <sup>1</sup> (-10 dB):	42 Hz
Max Calculated SPL <sup>1</sup> :	130 dB Cont., 136 dB Pk
Vertical Coverage:	Array Dependant, Software Definable
Rigging:	Fully Captive Aluminum, 1° increments, 16 elements with 8 to 1 Safety Factor
Power Handling:	1000W Cont., 4000W Peak
Sensitivity <sup>1</sup> :	100 dB
Highpass Freq <sup>1</sup> :	40 Hz
Recommended Crossover Freq <sup>1</sup> :	100 Hz
LF Passband:	2 x 12" DVX3120, 4 ohms
Recommended Amplifier:	EV CP3000S
Connectors:	2 x NL8
Enclosure Material:	Birch plywood w/Futura
Grille:	Zinc plated steel with powdercoat paint
Environmental Spec:	IEC 529 IP24, MIL 810
Dim (HxWxD):	20.00" x 28.58" x 14.90" (508 x 726 x 378 mm)
Net Weight:	85 lbs (38.5 kg)
Shipping Weight:	90 lbs (40.8 kg)

<sup>1</sup> Half Space Measurement.

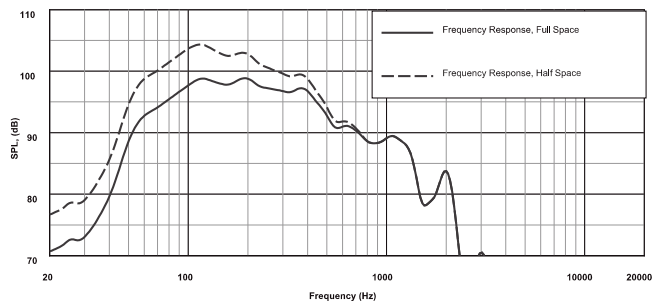
## Block Diagram:



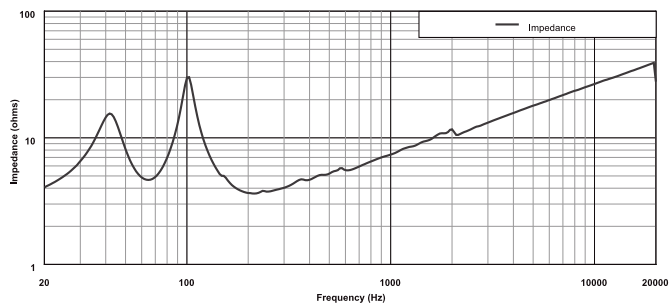
### Connections

Pins 1: LF  
Pins 2, 3, 4: Pass Through

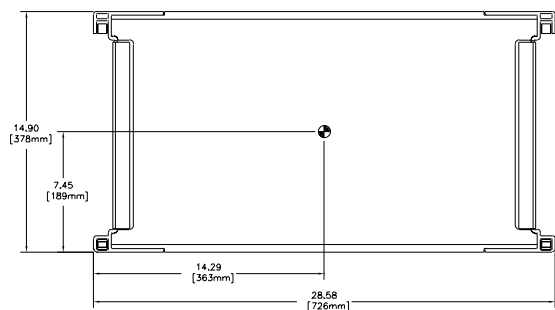
## Frequency Response, Full and Half Space:



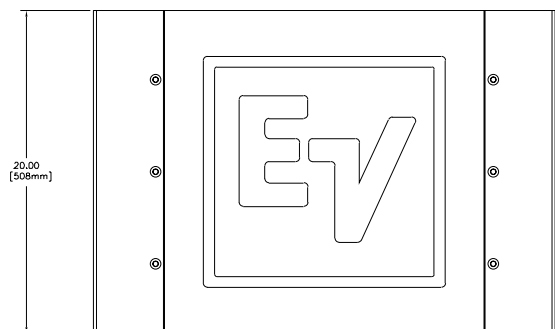
## Impedance:



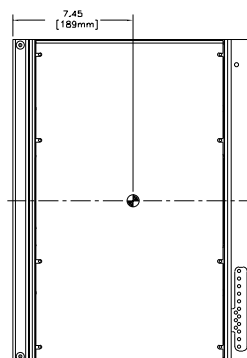
## Dimension Drawings (inches/metric):



Top



Front



Side

## Performance Match:

- XLD281 - Dual 8" 3-Way Line Array Element
- CP3000S - Precision Series™ Power Amplifier
- P3000RL - Precision Series™ Remote Control Power Amplifier
- P1200RL - Precision Series™ Remote Control Power Amplifier
- Dx38 - Digital Sound System Controller
- DN9848 - Digital Sound Controller
- XLVC Series Grid - Grid for Hanging XLVC Line-Arrays

## XS212 Part Number:

- XS212 - 301791-001



12000 Portland Avenue South, Burnsville, MN 55337  
Phone: 952/884-4051, Fax: 952/884-0043

[www.electrovoice.com](http://www.electrovoice.com)

© Telex Communications, Inc. 1/2005

Part Number 38110-432 Rev 1

U.S.A. and Canada only. For customer orders, contact Customer Service at:

800/392-3497 Fax: 800/955-6831

Europe, Africa, and Middle East only. For customer orders, contact Customer Service at:

+ 49 9421-706 0 Fax: + 49 9421-706 265

Other International locations. For customer orders, contact Customer Service at:

+ 1 952 884-4051 Fax: + 1 952 736-4212

For warranty repair or service information, contact the Service Repair department at:

800/685-2606

For technical assistance, contact Technical Support at: 866/78AUDIO

Specifications subject to change without notice.