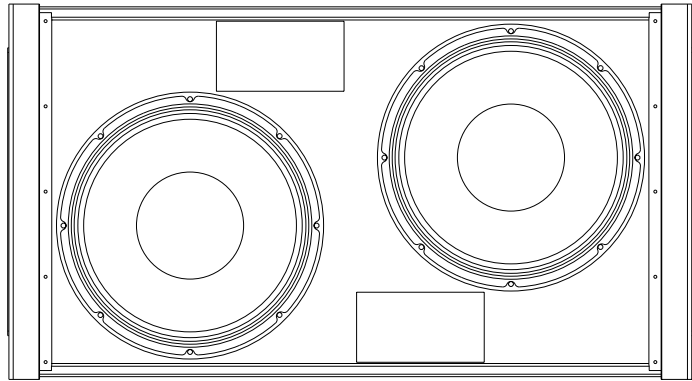




Key Features:

- Compact, Lightweight, 139 dB SPL
- Fast, Simple Integrated Rigging
- Footprint Identical to XLC-127+ and XLC-118
- Optional Adapter Grid for use with XLD281
- 2 x DVX3150 Transducers
- Weather Resistant



General Description:

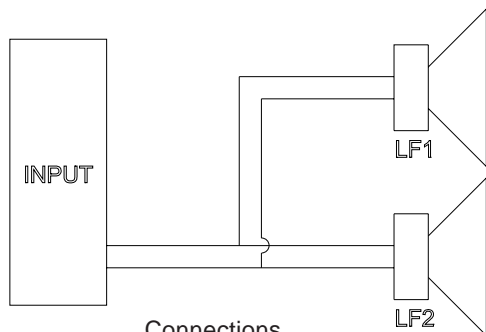
EV engineers have defined a new group of compact line array elements, the X^{LC}. It is comprised of three components - X^{LC} 127+ full range with ND6-16 large format high frequency transducers and two subwoofer systems. The X^{LC} 118 sub cabinet uses an EVX-180B, and the X^{LC} 215 uses two DVX3150's. Both are true sub-bass systems designed for high-level, extended low frequency output. They share the same enclosure footprint and rigging is identical to that of other X^{LC} systems, allowing flexible subwoofer integration with full range arrays requiring extended low frequency response. With a height 1.5 times that of the X^{LC} 127+, a subwoofer array can be flown side by side with column appearances similar to the main array using a ratio of 2 subs for every 3 full range boxes. Subwoofer systems can also be placed at the top or bottom of full range arrays for seamless arrayed 4-way system integration. Designed for use in groups of two or more the Subwoofer delivers predictability and control. Combined with an advanced integrated rigging system, one-man installations are a reality. The subwoofer systems can also be ground stacked. Ideal for applications ranging from live reinforcement to performing arts venues to houses of worship to sports facilities, X^{LC} gives you the power to make it happen. X^{LC} can deliver unprecedented performance, particularly in difficult acoustical environments.

Technical Specifications:

Freq. Response ¹ (-3 dB):	40 Hz - 400 Hz
Freq. Range ¹ (-10 dB):	30 Hz - 400 Hz
Max Calculated SPL ¹ :	103 dB Cont., 139 dB Pk
Vertical Coverage:	Array Dependant
Rigging (Both Types):	Fully Captive Aluminum, 1° increments, 16 elements with 8 to 1 Safety Factor
LF Power Handling:	1000W Cont., 4000W Peak
Sensitivity ¹ :	103 dB
High Pass Freq:	28 Hz
Recommended Crossover Freq:	80 - 200 Hz
LF Passband:	2 x 15" DVX3150, 4 ohms
Recommended Amplifier:	EV P3000(RL), CP3000S
Connectors:	2 x NL8
Enclosure Material:	13-ply birch plywood
Grille:	Zinc plated steel
Environmental Spec:	IEC 529 IP24, MIL 810
Quik-Rig™ Dim (HxWxD):	21.44" x 39" x 22.5" (545 x 990 x 572 mm)
Net Weight (Quik-Rig™):	120 lbs (54.5 kg)
Shipping Weight (Quik-Rig™):	140 lbs (63.6 kg)

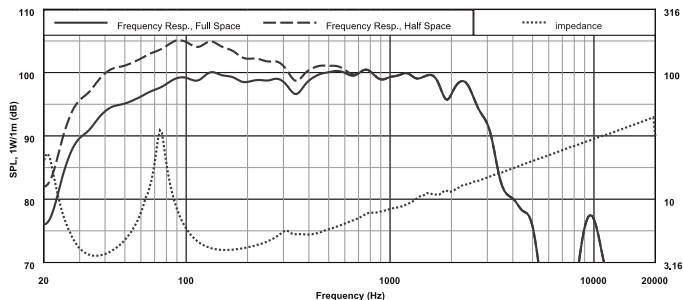
¹ Half Space Measurement.

Block Diagram:

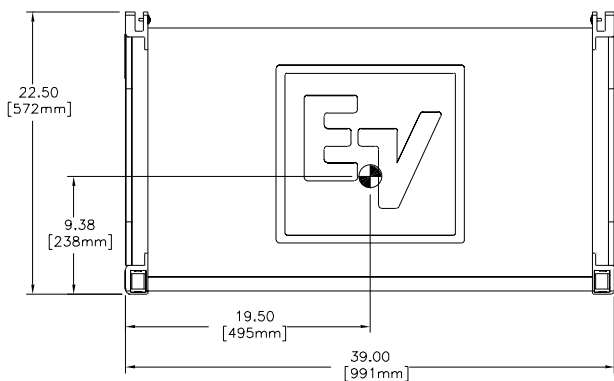


Connections
 Pins 2, 3, 4: Pass Through
 Sub: Pins 1

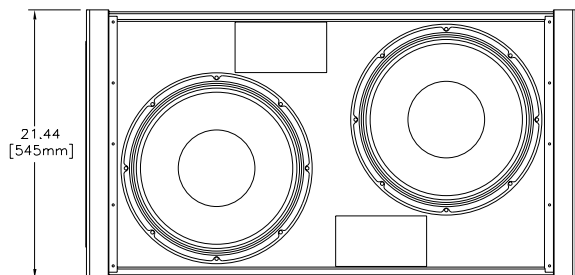
Frequency Response:



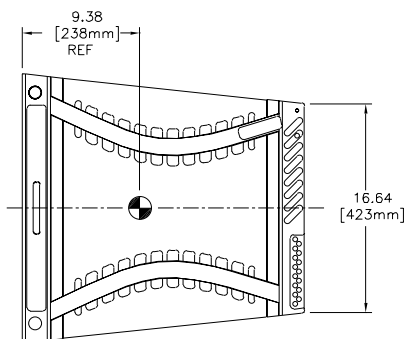
Dimension Drawings (inches/metric):



Top



Front



Side

Performance Match:

- XLC-127+ - Full Range Line-Array Loudspeaker System
- XLD281 - Full Range Very Compact Line-Array System (requires use of AGCD Adapter Grid)
- P3000 - Precision Series™ Power Amplifier
- CP3000S - Compact Precision Series™ Power Amplifier
- P3000RL - Precision Series™ Remote Control Power Amplifier
- Dx38 - Digital Sound System Controller
- DN9848 - Digital Sound Controller
- XLC-118 Cover - Protective Cover for Transporting
- XFC-118 - Front Dolly for Rigging and Transporting
- XBD - 3-Tall Bottom Dolly for Rigging and Transporting
- XLC Series A1-Grid for Hanging XLC Line Arrays
- AGCD - Adapter Grid for mating XLC Rigging to XLD Rigging

XLC-215 Part Numbers:

- XLC-215 - 301891-001



12000 Portland Avenue South, Burnsville, MN 55337
 Phone: 952/884-4051, Fax: 952/884-0043

www.electrovoice.com

© Telex Communications, Inc. 4/2005
 Part Number 38110-460 Rev A

U.S.A. and Canada only. For customer orders, contact Customer Service at:
800/392-3497 Fax: 800/955-6831

Europe, Africa, and Middle East only. For customer orders, contact Customer Service at:
+ 49 9421-706 0 Fax: + 49 9421-706 265

Other International locations. For customer orders, contact Customer Service at:
+ 1 952 884-4051 Fax: + 1 952 736-4212

For warranty repair or service information, contact the Service Repair department at:
800/685-2606

For technical assistance, contact Technical Support at: **866/78AUDIO**

Specifications subject to change without notice.