



Electro-Voice
a MARK IV company

**Commercial
Microphones**

US600EL/US602FL

HANDHELD COMMUNICATIONS DYNAMIC MICROPHONE

SPECIFICATIONS

Element:

Dynamic

Frequency Response,

US600EL:

100-7,000 Hz

US602FL:

200-5,000 Hz

(see Figures 1 & 2)

Polar Pattern,

US600EL:

Omnidirectional

US602FL:

Noise cancelling

(see Figures 3 & 4)

Impedance:

150 ohms

Output Level,

US600EL:

-55 dB

US602FL:

-60 dB

(0 dB = 1 mW/10 dynes/cm²)

Case Material:

Polycarbonate

Finish:

Textured black

Switch Type:

Push-to-talk (see Figure 5)

Cable:

4-conductor, 2-shielded, PVC black

Dimensions,

Width:

68.3 mm (2.68 in.)

Length:

98.4 mm (3.88 in.)

Depth,

US600EL:

45.3 mm (1.78 in.)

US602FL:

58.0 mm (2.28 in.)

Net Weight,

US600EL:

243.5 g (8.6 oz) with cable

US602FL:

280.0 g (9.9 oz) with cable



DESCRIPTION

Models US600EL and US602FL are low impedance handheld dynamic microphones with a push-to-talk switch. The model US600EL is an omnidirectional microphone with a tailored frequency response for high articulation speech transmission under normal ambient noise conditions. The model US602FL is a bidirectional, noise-cancelling microphone designed for high articulation speech transmission in high ambient noise conditions. The microphone can be used in noisy situations where successful voice communications would otherwise be impossible. Both microphones have a high output level and great performance stability through wide extremes of temperature and humidity, making the US600EL and US602FL an excellent choice for communications.

Typical applications include amateur radio, police, marine services, commercial and paging. The US602FL noise-cancelling characteristic makes it especially effective for use in public address applications where severe feedback due to microphone position in relation to loudspeakers is a problem.

The US600EL and US602FL are designed for comfortable, convenient use. The functional styling, the extremely durable Polycarbonate housing and the lifetime switch assembly all result in a microphone with superior performance, capable of long-term survival in the most demanding applications.

ARCHITECTS' AND ENGINEERS' SPECIFICATIONS

The microphone shall be a dynamic omnidirectional handheld type with uniform frequency response from 100 to 7,000 Hz. The case shall be molded of high impact plastic with black textured finish. A panel mounting bracket shall be supplied. The microphone shall have a net weight of 243.5 g (8.6 oz) including cable.

The microphone shall have a nominal impedance value of 150 ohms. Output level shall be -55 dB (0 dB = 1 mW/10 dynes/cm²). Cable shall be 4-conductor (2-shielded), rubber-jacketed, black coiled cord extendible to 1.8 m (6 ft). Microphone circuit shall be balanced with respect to ground. An integral press-to-talk switch shall be provided, connected in a manner such that microphone element is shorted in "off" position while microphone line to amplifier remains "open" for multiple microphone paging applications. Cable circuits are isolated from microphone circuits.

The Electro-Voice model US600EL is specified.

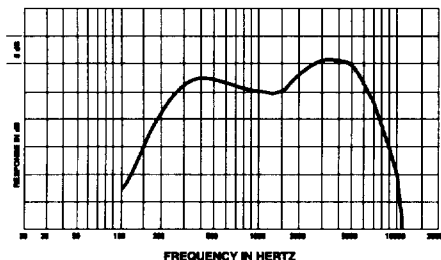


FIGURE 1
Close Talk Frequency Response
US600EL

Warranty is guaranteed for two years from date of original purchase for workmanship and materials. If such unit is replaced (at our option) without charge for parts or labor by Electro-Voice. Unit will be returned prepaid. This warranty covers items, cables, cable connectors, switches, and other than specified conditions, nor does it cover damage to the unit. Some states do not allow the exclusion or limitation of incidental or consequential damages, so the above exclusion may not apply to you. This warranty gives you certain legal rights which vary from state to state.

For more information on Electro-Voice products, contact: Electro-Voice, Inc., 10500 West Reno, Oklahoma City, Oklahoma 73128 (405/324-5311 or 800/444-4311).

For a list of Service Representatives at your location, contact:

Electro-Voice, Inc., MI 49107; Attention: Service Department.

© 1978

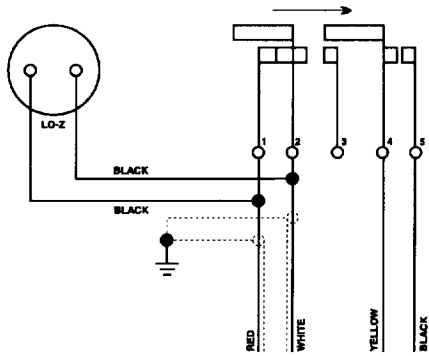


FIGURE 6
Wiring Diagram
US602FL

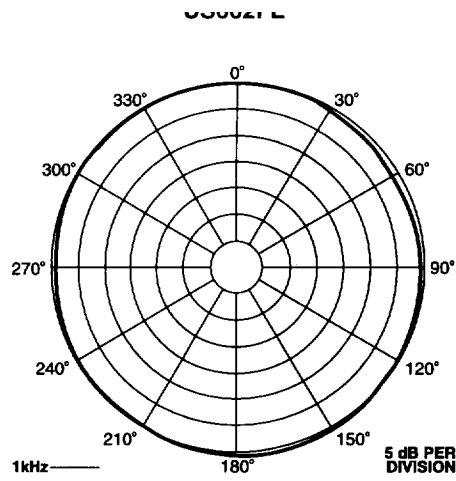


FIGURE 3
Polar Response
US600EL

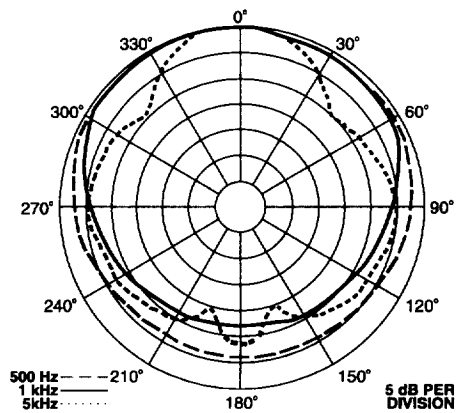


FIGURE 4
Polar Response
US602FL

WARRANTY (LIMITED) —
Electro-Voice Commercial Microphone. This warranty covers the microphone against malfunction if purchased against malfunction occurs, unit will be replaced without charge for materials or labor if delivered within 90 days. This warranty does not extend to failure or malfunction due to abuse or misuse. This warranty does not extend to incidental or consequential damages, so the above exclusion may not apply to you. This warranty gives you certain legal rights, and you should consult your local laws.

For warranty repair and service: Electro-Voice, Inc., 10500 West Reno, Oklahoma City, Oklahoma 73128 (405/324-5311 or 800/444-4311); Attention: Customer Service.

For technical assistance, contact: Electro-Voice, Inc., 10500 West Reno, Oklahoma City, Oklahoma 73128 (405/324-5311 or 800/444-4311).

Repair locations: Electro-Voice, Inc., 600 Cecil Street, Oklahoma City, Oklahoma 73102. Specifications subject to change without notice.

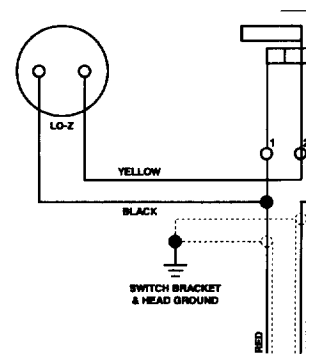


FIGURE 5
Wiring Diagram
US600EL

Electro-Voice

Commercial

10500 WEST RENO
OKLAHOMA CITY, OK 73126

Part Number 532589 — 9516 • US-42-02-000000
Litho in U.S.A.

