

SxA360

SxA360
Compact Powered Sound
Reinforcement Speaker for
Live Sound, Speech, Playback, DJ,
AV, Institutional Venues



Key Features:

- Compact, Ergonomic Size
- Integral Monitor Stand
- 350W LF Power
- 150W HF Power
- Line Output for Additional Speakers
- 65° x 65° Constant Coverage Horn
- High Sensitivity, 129 dB Maximum SPL
- Dynamic Filters Provide Overload Protection and Linear Response
- Molded-in Pole Mount, Easily Suspended
- Linear Response



General Description:

The Electro-Voice® SxA360 sets a new standard for powered speakers. Its design provides the user a simple to use system with plenty of power in very compact, lightweight, attractive package.

This is a full range loudspeaker ideal for most applications requiring high-quality sound. The SxA360 offers a unique combination of high SPL, natural frequency response, and dynamic headroom in an extremely lightweight package. Its linear response provides excellent feedback-free sound without additional equalization.

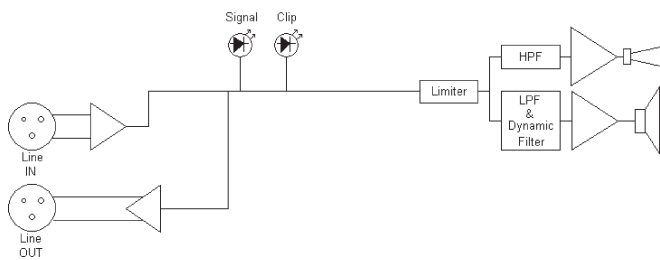
Built-in suspension points and pole mount make it easy to position for your application without expensive accessories.

The high-frequency section of the SxA360 utilizes a molded-in, 65° x 65° constant-directivity horn. This unique pattern contributes to high intelligibility, vocals sound natural yet “cut through” in reverberant, noisy rooms. Coverage pattern is uniform, sound quality off-axis is very well maintained, even at 45° off axis (a 90° total coverage angle). The SxA360’s high-frequency horn is driven by the DH2T, a one-inch-throat, wide-bandwidth, titanium-diaphragm driver using a unique, convex-drive TimePath™ phasing plug structure (U.S. Patent #4,525,604) for smooth and extended high-frequency response. The SxA360 ships with a 5m (15ft) power cord.

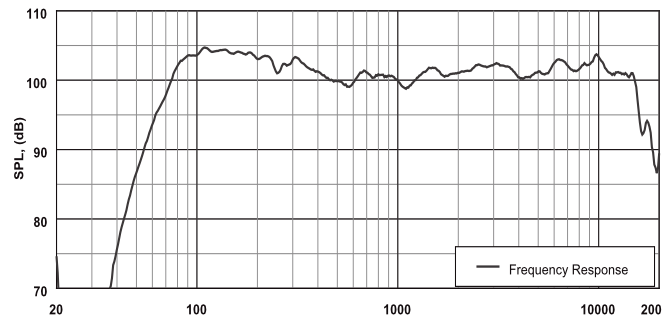
Technical Specifications:

Freq. Response (-10 dB):	60 Hz - 18 kHz
:	
Horizontal Coverage:	65°
Vertical Coverage:	65°
LF Amplifier Power:	350W RMS
HF Amplifier Power:	150W RMS
Max SPL (Calculated):	129 dB
Line Input Sensitivity:	-12 dBu to 0 dBu for full output
LF Transducer:	12" (300mm) DL12BFH Woofer
HF Transducer:	1" (25mm) exit DH2T Comp. Driver
Connectors:	
Line Inputs:	XLR and ¼" phone Combination
Balanced Output:	XLR
Power Requirement:	110-130 VAC, 50-60Hz, or 220-240 VAC, 50-60Hz 600 Watts
Enclosure Material:	Copolymer
Grille:	Powder Coated Steel
Dim (H x W x D):	23.1" x 16.9" x 12.3 ("586 x 429 x 312mm)
Net Weight (each):	36 lbs (16.6 kg)
Shipping Weight:	40 lbs (18.4 kg)

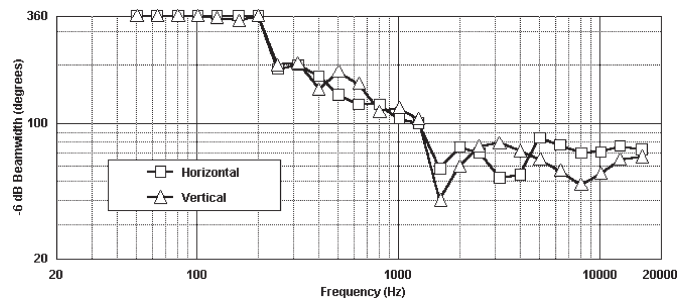
Block Diagram:



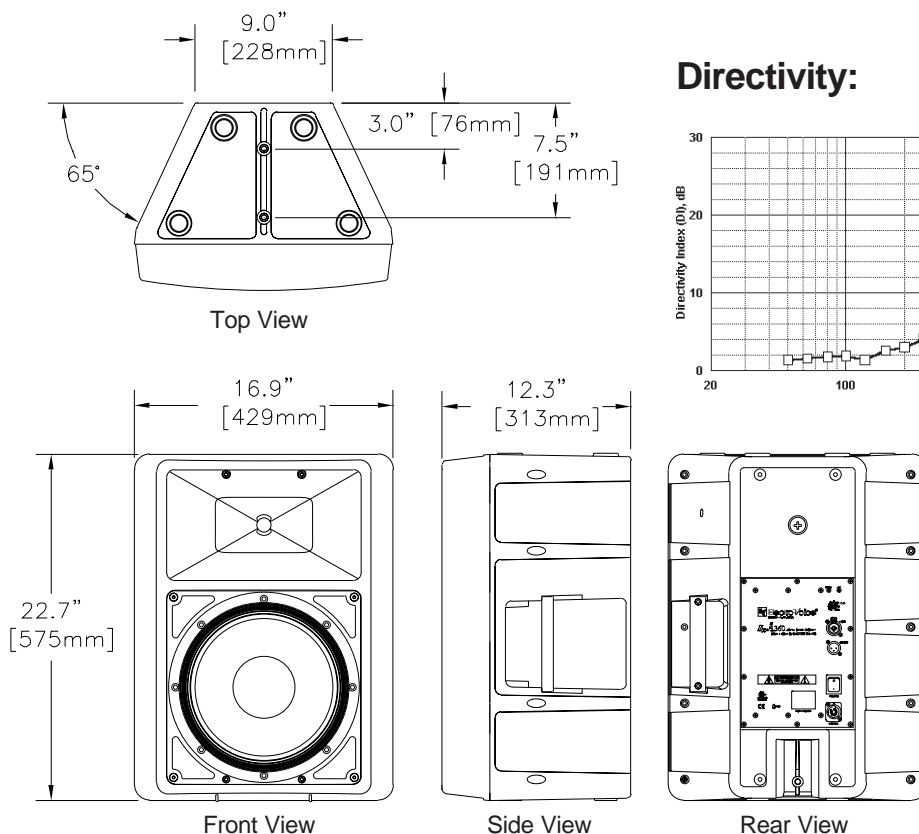
Frequency Response:



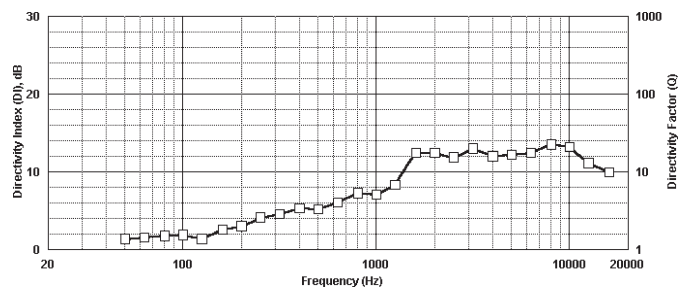
Beamwidth:



Dimension Drawings:



Directivity:



Performance Match:

- SbA750 Subwoofer

Included Accessories:

- F200 Monitor Feet (Qty. 2)

Available Accessories:

- 100BK Tripod Stand
- MB100 Eyebolt Suspension Kit
- MB200 Bracket Suspension Kit
- MB300 Bracket Suspension Kit
- Sx ZB Zippered, Lined Carrying Bag

SxA360 Part Numbers:

- SxA360 (120V) -- 301384-001
- SxA360 (230V) -- 170379

Electro-Voice®

12000 Portland Avenue South, Burnsville, MN 55337
Phone: 952/884-4051, Fax: 952/884-0043

www.electrovoice.com

© Telex Communications, Inc. 9/2003

Part Number 38110-314 Rev 2

U.S.A. and Canada only. For customer orders, contact Customer Service at:

800/392-3497 Fax: 800/955-6831

Europe, Africa, and Middle East only. For customer orders, contact Customer Service at:

+ 49 9421-706 0 Fax: + 49 9421-706 265

Other International locations. For customer orders, contact Customer Service at:

+ 1 952 884-4051 Fax: + 1 952 736-4212

For warranty repair or service information, contact the Service Repair department at:

800/685-2606

For technical assistance, contact Technical Support at: 866/78AUDIO

Specifications subject to change without notice.